

# LevNet RF™ Self-Powered Wireless Solutions

## Decora® Rocker 902MHz Wall Switch Receivers



WSS20

### BASIC OPERATION

The Leviton, LevNet RF™ Decora® Rocker Wall Switch Receiver (WSS20) is a continuum to its previous released single push ON/OFF switch receiver model WSS10. The WSS20 features a robust rocker (return-to-neutral) manual switch used to toggle the lighting load ON or OFF. EnOcean® technology, but upgraded to the proven 902MHz radio frequency the WSS20 stands exclusively alone. It is the only line-voltage, wire-in switch receiver in the industry that is EnOcean enabled. The WSS20 is compatible with all Leviton 902MHz EnOcean enabled self-powered transmitters. The WSS20 is optimal solution for retrofit applications where incandescent, fluorescent and low-voltage lighting controls are required.

The WSS20 replaces traditional single-pole wall switch and fits in a standard single-gang wall box. No additional wiring is required.

### FEATURES

- No new wires required, product comes in neutral and non-neutral versions
- Compatible with multiple load types ranging from incandescent to LEDs
- Neutral and non-neutral wall switch receiver (25 Watt minimum load)
- Simple, fast installation:
  - Replace existing light switch
  - Pair to self-powered transmitter or receiver
  - Installation under 10 minutes guaranteed
- Intuitive Decora Rocker switch with a return-to-neutral design

## PRODUCT DATA



### APPLICATIONS

- Retrofits
- Conference rooms
- Lounges
- Executive offices
- Daycare facilities
- New construction
- Classrooms
- Private offices
- Restrooms
- Multimedia areas
- Three-way switch application (WSS0S-P Wireless Remote Switch)
- Bi-level lighting or A/B switching

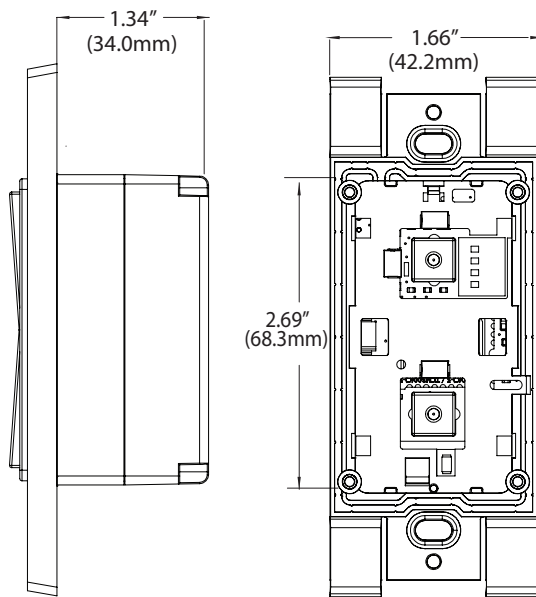
### Product Compatibility

- EnOcean-enabled Transmitter Switches and Occupancy Sensors - WSWDR, WSCxx

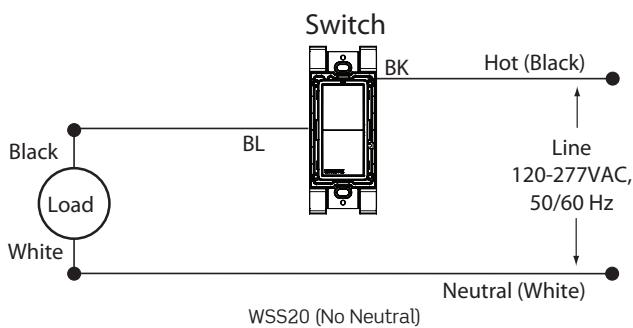
### FEATURES

- **No New Wiring Required:** the RF Wall Switch Receivers simply replaces the existing light switch and then communicates with self-powered switches and sensors via radio frequency.
- **Manual ON/OFF Switching:** provides pushbutton manual-ON/OFF light switching of each light load at any time.
- **Maximize Energy Savings:** when paired with RF PIR Occupancy Sensor, RF Wall Switch contains all sensor settings. Manual-ON/Auto-ON, Auto-ON/Auto-OFF, Walk Through Timer, Auto Time-Out selections of 2 minutes for testing, 10, 20 or 30 minutes. Allows flexibility and customized adjustments to maximize energy savings.
- **Presentation/Viewing Mode:** turn lights OFF and keep them OFF while room is occupied (i.e.: for slide or film presentations) automatically returns to normal when manually switched back ON or room becomes vacant and time delay expires.
- **Walk-Thru Feature:** maximizes energy savings by assuring a 2.5 minute time-out if motion is not present after 2 minutes in Auto-ON mode.
- **Standard Size for Seamless Installation:** RF Wall Switch Receiver fits in a standard single gang wall box.
- **Zero-Cross Relay:** switches at the zero crossing point of the AC power curve to ensure maximum contractor life and compatibility with electronic ballasts.
- **All Digital Circuitry:** uses minimum components for maximum reliability and low cost.
- **Energy Savings and Efficiency:** lowest power consumption of any RF device - less than 1/2W per 120V device and less than 2/3W per 277V device annually - approximately 70% savings over other RF devices.
- **Air Gap Switch:** assures A/C power disconnects for safety on No-Neutral switch.
- **Color Change Kits:** (white, ivory and light almond) included for design flexibility, ease of ordering, inventory and cost control.
- **10A load rating:** for commercial lighting circuits.
- **EnOcean technology enabled** for RF communication from Self-Powered Lighting Controls.
- **H.I.S (High In-Rush Stability):** arcing design for use with all commercial ballasts.
- **Retrofit Energy Saving Bi-level Lighting with Occupancy Sensor Control:** replace two light switches with RF Wall Switch Receivers, pair both with Self-Powered RF PIR Sensor, set the first RF Wall Switch to Auto-ON/Auto-OFF and the second to Manual-ON/Auto-OFF.

### DIMENSIONS



### WIRING DIAGRAM



### SPECIFICATIONS

ELECTRICAL	
Input Voltage	120-230-277VAC @ 60Hz (No Neutral), 50/60Hz (Neutral)
Output Channels	Form C Latching Relay
Operational Frequency	60Hz
Power Consumption	120V < 1/2 Watt 277V < 2/3 Watt
Communication Frequency	902Mhz
Memory	Stores up to 20 Transmitter IDs
Range	150 feet maximum
Button Pairing Modes	Rocker, Momentary and Toggle
Vacancy Confirmation	30 seconds
Load Rating	Incandescent: 800W @ 120V Fluorescent Ballasts: 1200VA @ 120V, 2700VA @ 277V Motor: 1/4 HP Load @ 120V 25W minimum load required
Wire Designation	Line-Black, Load-Blue
ENVIRONMENTAL	
Operating Temperature Range	32°F to 104°F (0°C to 40°C)
Storage Temperature Range	32°F to 104°F (0°C to 40°C)
Relative humidity	0% to 95%, non-condensing
Usage	Indoors only
OTHER	
Listings	CA Title 24 compliant, ETL/cETL Listed to: UL508, CAN/CSA C22.2 #14 FCC Certified for wireless communication
Warranty	Limited 5-year
CAT. NO.*	DESCRIPTION
WSS20-G9N	LevNet RF wire-in receiver switch, Decora Rocker, 10A Relay, Range 30'-130', No Neutral
WSS20-N9N	LevNet RF wire-in receiver switch, Decora Rocker, 10A Relay, Range 50'-150', With Neutral
WSS20-G9U	LevNet RF wire-in receiver switch, push ON/OFF, 10A Relay, Range 30'-130', No Neutral
WSS20-N9U	LevNet RF wire-in receiver switch, push ON/OFF, 10A Relay, Range 50'-150', With Neutral

\*All WSS20 models ship with the Color Change Kit – includes a White, Ivory and Light Almond Faceplate.  
NAFTA and Made in USA models available.

**Leviton Manufacturing Co., Inc. Global Headquarters**

201 N. Service Rd. Melville, NY 11747-3138 Tech Line: 1-800-824-3005 Fax: 1-800-832-9538

**Leviton Manufacturing Co., Inc. Lighting & Energy Solutions**

20497 SW Teton Avenue, Tualatin, OR 97062 Tel: 1-800-736-6682 • Tech Line: 1-800-959-6004 (6:00-4:00 Monday-Friday) • Fax: 503-404-5594

**Leviton Manufacturing of Canada, Ltd.**

165 Hymus Boulevard, Pointe Claire, Quebec H9R 1E9 • Telephone: 1-800-469-7890 • FAX: 1-800-563-1853

**Leviton S. de R.L. de C.V.**

Lago Tana 43, Mexico DF, Mexico CP 11290 • Tel. (+52) 55-5082-1040 • FAX: (+52) 5386-1797 • [www.leviton.com.mx](http://www.leviton.com.mx)

**Visit our Website at: [www.leviton.com/les](http://www.leviton.com/les)**

© 2014 Leviton Manufacturing Co., Inc. All rights reserved. Subject to change without notice.