

miniZ Intelligent Daylight Management System

DESCRIPTION

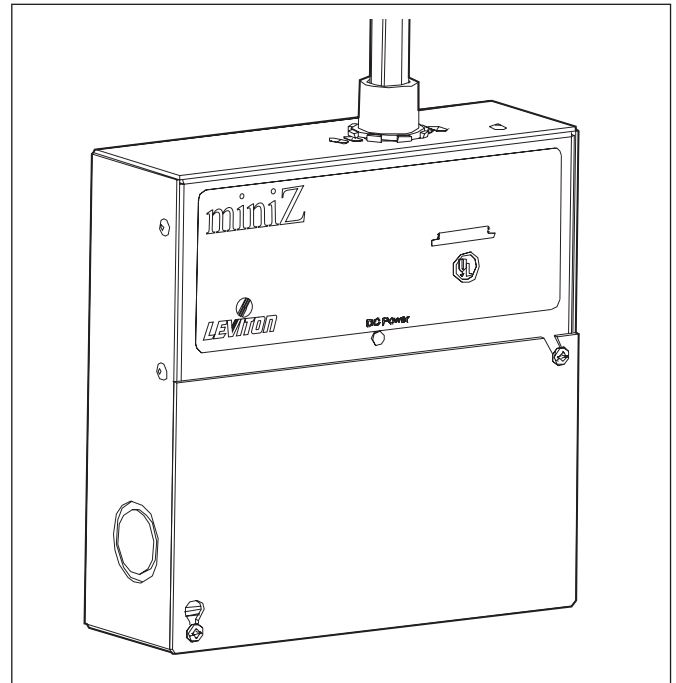
miniZ combines occupancy sensing, daylight harvesting and flexible lighting control functions into a single, easily installed package. miniZ features several methods of ladderless commissioning, one of which is the AutoCal feature, the world's first ever 100% self-configuring daylight harvesting system. Installation requires little more than any other power-pack type product. The performance, features, and capabilities of the miniZ product provide a package that surpasses all others in the industry – at a price anyone can afford.

FEATURES

- Automatic Correction for Light Loss Factor (LLF)
- Recognizes and corrects for Lumen Maintenance Issues
- Cost effective energy code compliance
- **Ladderless Commissioning™** provides install-and-forget convenience
- **Automatic closed loop multi-zone daylight control**
- Convenient occupancy sensor and photocell integration
- Simplified daylight harvesting with full range dimming
- **Autocal™** (patent pending) automatic photocell calibration
- Accepts external time clock inputs
- Simplified integration with emergency systems
- Controls maximum lighting output for additional energy savings potential
- Daylight switching, full range 0-10V dimming and network models available

Network Features:

- Luma-CAN Network Support
- Network Digital Switches
- Z-MAX Master/Slave Network Participation
- Remote Shared Network Inputs
- Scalable System Expansion



SIMPLEST INSTALL STEPS

1. Physically install unit and any peripherals
2. Terminate power & control wiring
3. Enable AutoCal & Auto-Burn-In
4. Power up system
5. Installation & configuration complete!

Dimensions:

6.65"L x 6.65"H x 2.1"D

Shipping Weight: 4lbs.

Unit Weight: 3.3lbs.

1/2" & 3/4" conduit knockouts

1/2" nipple with pigtails for easy line voltage connections

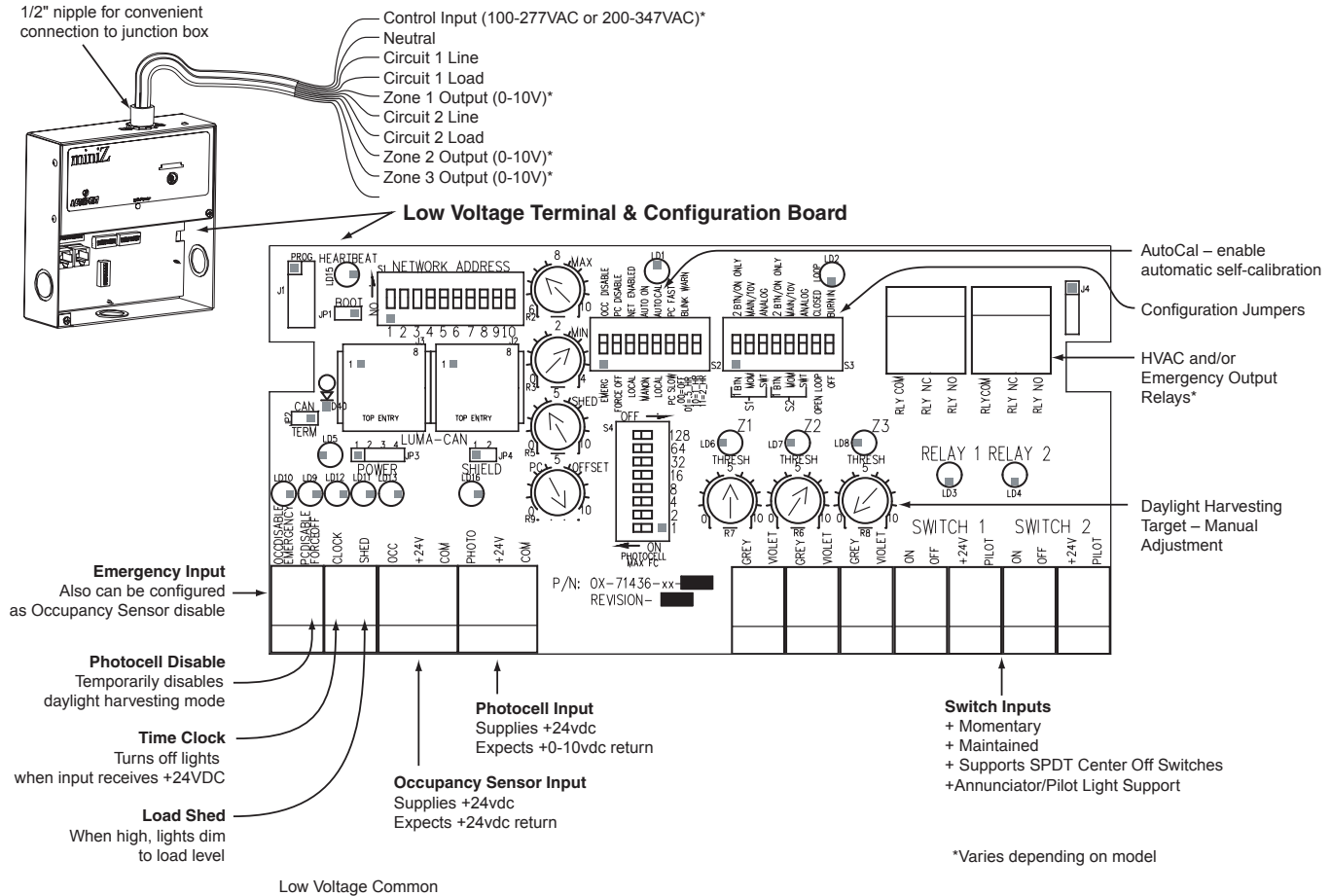


SPECIFICATION SUBMITTAL

JOB NAME: <input type="text"/>	CATALOG NUMBERS: <input type="text"/>	
JOB NUMBER: <input type="text"/>	<input type="text"/>	<input type="text"/>

Product Specifications

miniZ™



Load Ratings:

20A per relay, 120/277V
 15A per relay, 347V
 Fluorescent, non-dimmed and 0-10V dimmed
 120mA power output for operation of occupancy sensors, etc.

Power:

Input Power: 120, 277, or 347V*; 10W Max, 50/60Hz

- Output Power 1 or 2* circuits, up to 277V, 20A, or, 1 or 2* circuits, up to 347V, 15A
- Output 0-10V Control: 0, 2, or 3 zones*
 Available Peripheral Power: 120mA, 24V

ORDERING INFORMATION

Part #	20A Power Circuits	0-10V Control Circuits	Control Input Voltage	Network Functionality
mZb00-102	2	0	100-277VAC	No
mZd20-102	2	2	100-277VAC	No
mZd30-101	1	3	100-277VAC	No
mZn20-102	2	2	100-277VAC	Yes*
mZn30-101	1	3	100-277VAC	Yes*
mZb00-C02	2	0	200-347VAC	No
mZd20-C02	2	2	200-347VAC	No
mZd30-C01	1	3	200-347VAC	No
mZn20-C02	2	2	200-347VAC	Yes*
mZn30-C01	1	3	200-347VAC	Yes*

*Consult with factory for availability of network models.

LEVITON SPECIFICATION SUBMITTAL

JOB NAME:	CATALOG NUMBERS:	
JOB NUMBER:		