

# Emergency Switching Luminaire Control



## DESCRIPTION

In the past, all designated emergency lights in a facility had to stay on 24 hours a day to meet safety codes. Now with Leviton Emergency Switching Luminaire Control, you can specify and install a UL-924 listed emergency power control device that can convert and control up to 20 regular light fixtures as approved emergency lights. These emergency lights can then be turned ON and OFF in the same manner as regular lights.

The Emergency Switching Luminaire Control automatically illuminates connected emergency loads to full brightness upon utility power interruption, regardless of switch/dimmer position. Ideal for emergency luminaires in public places such as:

- Auditoriums
- Restaurants
- Conference rooms
- Theaters
- Classrooms
- Retail spaces
- Municipal buildings
- Houses of worship

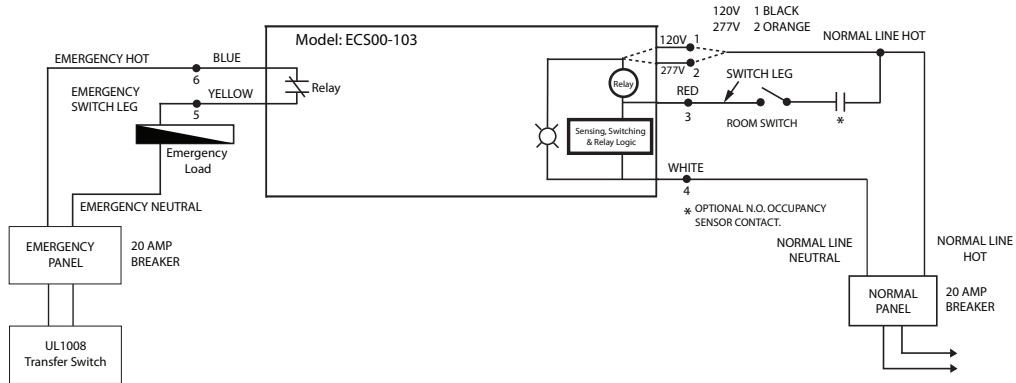
## FEATURES

- **Automatic Diagnostic**—when the room switch is turned OFF, the emergency luminaires stay on for 2.5 seconds and indicate that an emergency power source is available and the equipment is functioning correctly
- **Mounting** either flush mount or mount above a suspended ceiling in a single-gang plaster ring makes installation simple for varying applications
- **Power Indicator** LED for utility power (green) for easy verification of normal power.

**PRODUCT DATA**

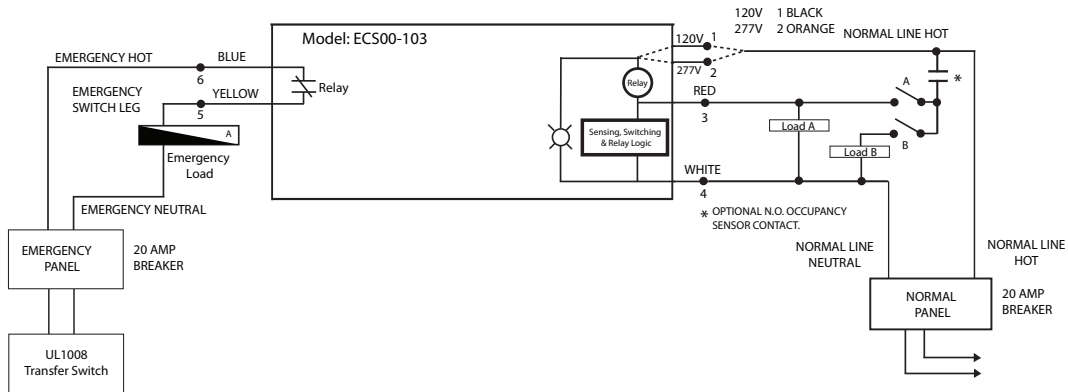
**WIRING DIAGRAM - ECS00-103**

**ROOM WITH (1) LIGHT FIXTURE**



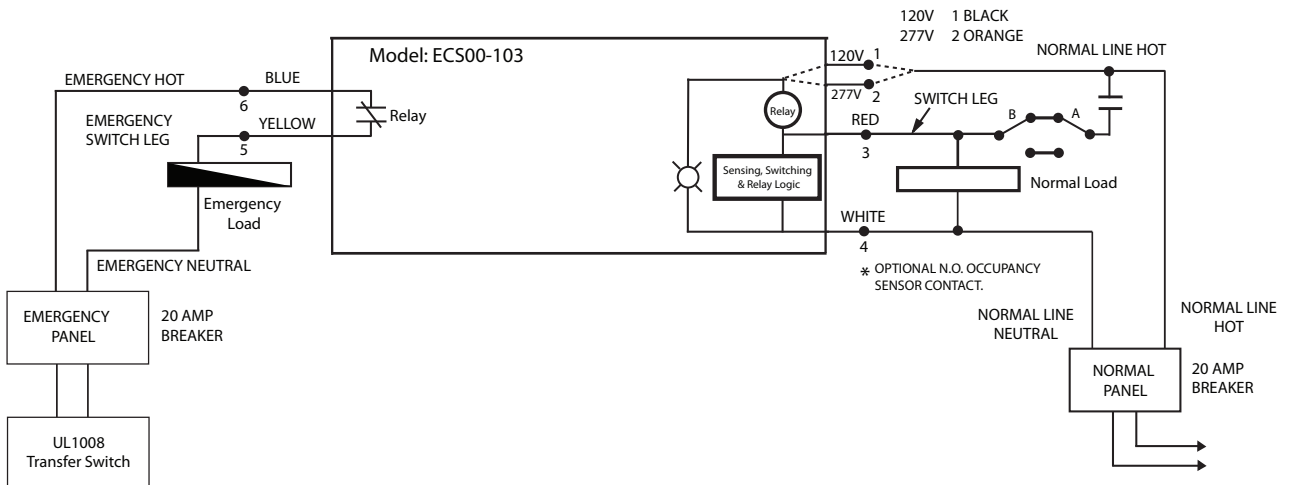
**WIRING DIAGRAM - ECS00-103**

**DUAL LIGHT LEVEL SWITCHING**

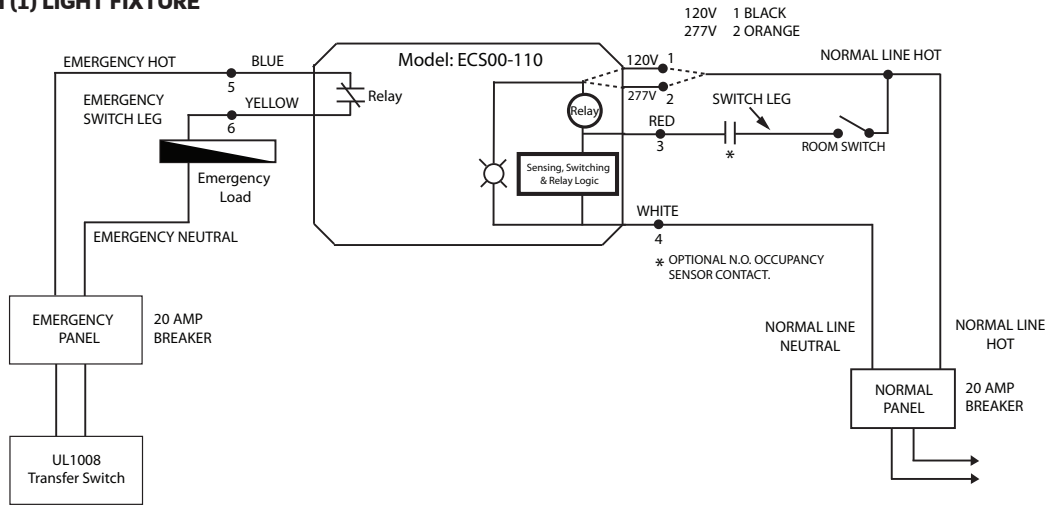


**WIRING DIAGRAM - ECS00-103**

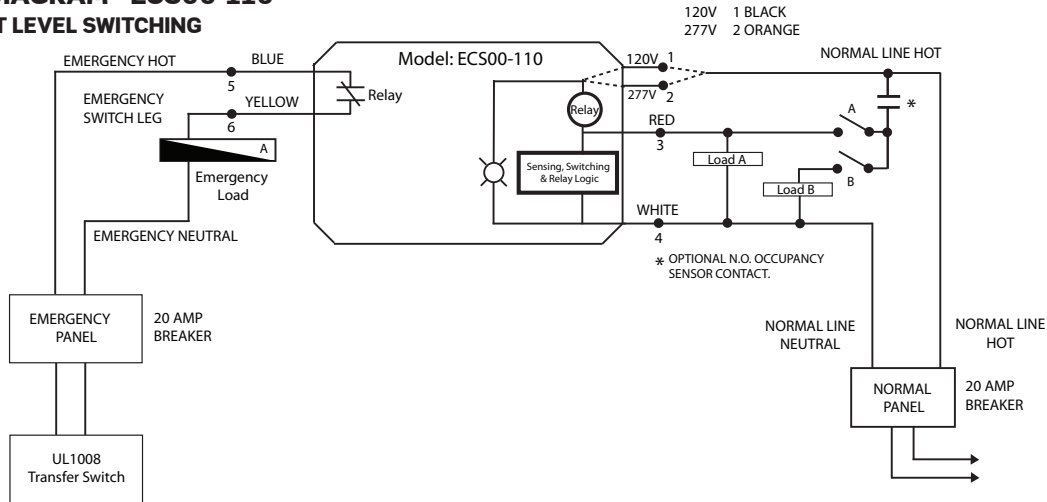
**(2) THREE-WAY SWITCHES**



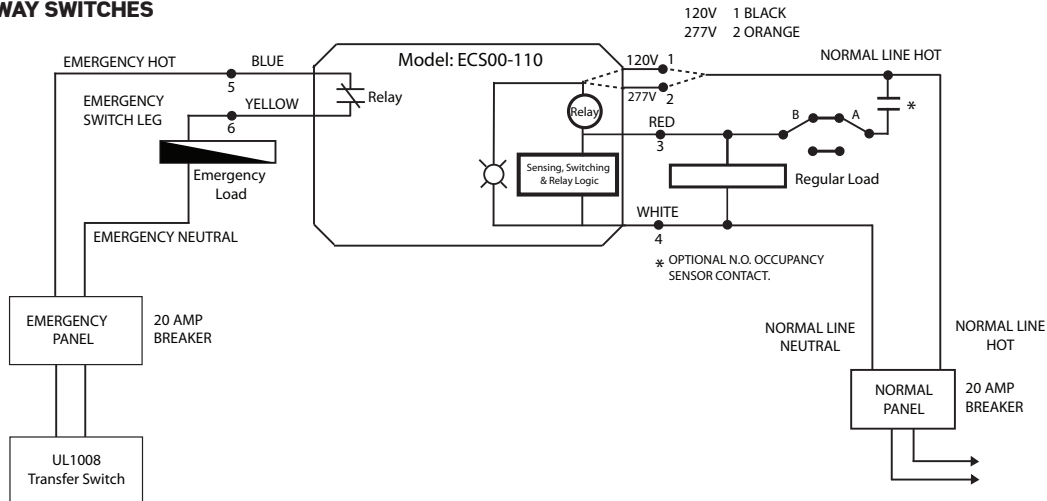
**WIRING DIAGRAM - ECS00-110  
ROOM WITH (1) LIGHT FIXTURE**



**WIRING DIAGRAM - ECS00-110  
DUAL LIGHT LEVEL SWITCHING**



**WIRING DIAGRAM - ECS00-110  
(2) THREE-WAY SWITCHES**



**SPECIFICATIONS**

<b>ELECTRICAL</b>	<b>ECS00-103</b>	<b>ECS00-110</b>
Sensing Input	120V or 277V	
General Purpose	3A, 60Hz	10A, 60Hz
Ballast		
Tungsten/Incandescent		
Voltage Tolerance	+/- 15%	
High Voltage Surge Protection	Up to 50,000V	
Contacts	Normally Closed Contacts	
<b>PHYSICAL</b>	<b>ECS00-103</b>	<b>ECS00-110</b>
Mounting	Fixture Mount model includes mounting ears	Mounts inside a 4 11/16" (119.06mm) junction box with an extension and blank cover
Dimensions (with mounting ears)	4.875" (123.83mm)W x 1.06" (26.92mm)H x 1.06" (26.92mm)D	3.75" (95.25mm)W x 1.75" (44.45mm)H x 1.5" (38.1mm)D
Weight	0.4 lb (0.18kg)	0.5 lb (0.23kg)
Ambient Temperature	32° - 140°F (0° - 60°C)	
IP Rating	IP20	
Listings	UL Listed to UL924, cUL/US	

**ORDERING INFORMATION**

<b>CAT. NO.</b>	<b>DESCRIPTION</b>
ECS00-103	Emergency Power Control, fixture mount, switching loads transfer and shunt relay, 120-277VAC, 3A, 60Hz
ECS00-110	Emergency Power Control, switching loads transfer and shunt relay, 120-277VAC, 10A, 60Hz

**LEVITON SPECIFICATION SUBMITTAL**

JOB NAME:	CATALOG NUMBERS:
JOB NUMBER:	

**Leviton Manufacturing Co., Inc. Lighting & Energy Solutions**

20497 SW Teton Avenue, Tualatin, OR 97062 • Tele: 1-800-736-6682 • FAX: 503-404-5594 • Tech Line (6:00AM-4:00PM P.S.T. Mon-Fri): 1-800-959-6004

**Leviton Manufacturing Co., Inc. Global Headquarters**

201 N. Service Rd. Melville, NY 11747-3138 • Tech Line: 1-800-824-3005 • Fax: 1-800-832-9538

**Leviton Manufacturing of Canada, Ltd.**

165 Hymus Boulevard, Pointe Claire, Quebec H9R 1E9 • Telephone: 1-800-469-7890 • FAX: 1-800-563-1853

**Leviton S. de R.L. de C.V.**

Lago Tana 43, Mexico DF, Mexico CP 11290 • Tel. (+52) 55-5082-1040 • FAX: (+52) 5386-1797 • www.leviton.com.mx

**Visit our Website at: [www.leviton.com/les](http://www.leviton.com/les)**