



UPC Code: 07847751878

Country Of Origin: United States

NEMA:  
L5-15R



## 85W47-D

### Item Description

15 Amp, 125 Volt, NEMA L5-15, 2P, 3W, Locking Duplex Outlet, Industrial Grade, Grounding, Wetguard - YELLOW

### Technical Information

#### Electrical Specifications

**Amperage:** 15 A

**Voltage:** 125 VAC

**Pole:** 2

**Wire:** 3

**Grounding:** Grounding

**Dielectric Voltage:** Withstands 2000V per UL498

**Current Limiting:** Full Rated Current

**Temperature Rise:** Max 30C after 250 cycles OL at 200 percent rated current

#### Environmental Specifications

**Flammability:** Rated V-2 per UL 94 (wiring module)

**Operating Temperature:** -40°C to 60°C

**Enclosure Rating:** NEMA 4, 4X, 12 IEC IP66

**Environment:** Wet

#### Material Specifications

**Cover/Lid:** Valox PBT

**Wiring Module Mounting Cup:** Valox PBT

**Wiring Module:** Nylon

**Cover Gasket:** Santoprene TPV

**Torsion Spring Mechanism (Flip Lids):** Stainless Steel

**Blades/Contacts, Terminal Clamps:** Electroless Nickel-coated Brass

**Terminal Screws:** Electroless Nickel-coated Brass

**Mounting & Assembly Screws:** Stainless steel, non-magnetic

#### Mechanical Specifications

**Terminal Accom.:** #18 AWG to # 10 AWG

**Product ID:** Ratings and NEMA I.D. permanently marked on device

#### Product Features

**NEMA:** L5-15R

**Color:** Yellow

**Device Type:** Locking Outlet

**Brand:** Wetguard

#### Standards and Certifications

**NEMA:** WD-6

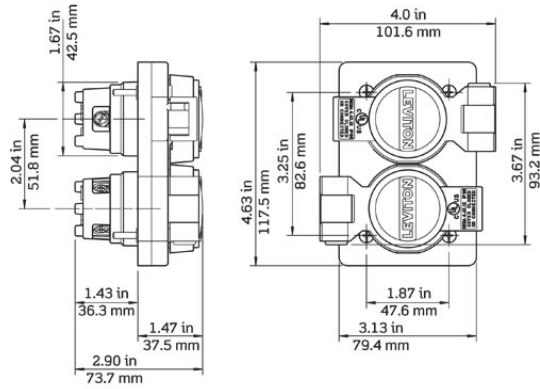
**ANSI:** C-73

**UL:** 498

**CSA:** C22.2 No. 42

**NOM:** 057

**Warranty:** Lifetime Limited



### SPECIFICATION SUBMITTAL

JOB NAME:		CATALOG NUMBERS:	
<input type="text"/>		<input type="text"/>	
JOB NUMBER:			
<input type="text"/>		<input type="text"/>	

**Leviton Manufacturing Co., Inc.**

201 North Service Road, Melville, NY 11747

Teléfono: +1-800-323-8920 · FAX: +1-800-832-9538 · Tech Line (8:30AM-7:30PM E.S.T. Monday-Friday): +1-800-824-3005

**Leviton Manufacturing of Canada, Ltd.**

165 Hymus Boulevard, Pointe Claire, Quebec H9R 1E9 · Telephone: +1-800-469-7890 ·

FAX: +1-800-824-3005 · [www.leviton.com/canada](http://www.leviton.com/canada)

**Leviton S. de R.L. de C.V.**

Lago Tana 43, Mexico DF, Mexico CP 11290 · Tel.: (+52)55-5082-1040 · FAX: (+52)5386-

1797 · [www.leviton.com.mx](http://www.leviton.com.mx)

Visit our Website at: [www.leviton.com](http://www.leviton.com)

© 2018 Leviton Manufacturing Co., Inc. Todos los derechos reservados. Subject to change without notice.

**Leviton has a global presence.**

If you would like to know where your local Leviton office is located please go to:

[www.leviton.com/international/contacts/](http://www.leviton.com/international/contacts/)

