



**Color:** White

**UPC Code:** 07847700897

**Country Of Origin:** Mexico

**NEMA:**  
5-15R



## 8280-IGW

### Item Description

Decora Plus Surge Protective Isolated Ground Duplex Receptacle Outlet, Heavy-Duty Hospital Grade, 15 Amp, 125 Volt, Back or Side Wire, NEMA 5-15R, 2-Pole, 3-Wire, Self-Grounding - White

### Technical Information

#### AC Horsepower Ratings

**At Rated Voltage:** 1/2 HP

#### Electrical Specifications

**Current Limiting:** Full Rated Current

**Dielectric Voltage:** Withstands 2000V per UL498

**Temperature Rise:** Max 30C after 250 cycles OL at 200 percent rated current

**Amperage:** 15 A

**Grounding:** Self-Grounding

**Pole:** 2

**Voltage:** 125 VAC

**Wire:** 3

#### Environmental Specifications

**Flammability:** Rated V-2 per UL 94

**Operating Temperature:** -40°C to 60°C

#### Material Specifications

**Body Material:** Nylon

**Clamp Nuts:** Zinc-Plated Steel

**Face Material:** Nylon

**Grounding Screw:** Brass 8-32

**Line Contacts:** Brass Triple-Wipe

**Terminal Screws:** Brass 10-32

**Yoke:** Zinc-Plated Steel

#### Mechanical Specifications

**Product ID:** Ratings are permanently marked on device

**Terminal Accom.:** 14-10 AWG

**Terminal ID:** Brass-Hot, Green-Ground, White-Neutral

**Termination:** Back or Side Wire

#### Performance Data

**Diagnostics:** Indicator Light & Audible Alarm

**Joules Rating:** 720

**Max Surge Current L-N:** 24kA

**MCOV:** 150V rms

**Noise Rejection:** -30dB at 500kHz-30MHz

**Short Circuit Current Rating:** 5kA

**UL1449 Impulse 6kV/500A L-N:** 400V

**VPR:** L-N:600V, L-G:700V, N-G:600V

#### Product Features

**Amperage:** 15 A

**Body Material:** Nylon

**Color:** White

**Diagnostics:** Indicator Light & Audible Alarm

**Face Material:** Nylon

**Feature:** Surge

**Grounding:** Self-Grounding

**Joules Rating:** 720

**Max Surge Current L-N:** 24kA

**NEMA:** 5-15R

**Noise Rejection:** -30dB at 500kHz-30MHz

**Pole:** 2

**Standards and Certifications:** UL/CSA

**Strap Material:** Steel

**Termination:** Back or Side Wire

**UL1449 Impulse 6kV/500A L-N:** 400V

**Voltage:** 125 VAC

**Warranty:** 10 Year Limited

**Wire:** 3

**Device Type:** Duplex Receptacle Outlet

**Grade:** Heavy-Duty Hospital Grade

**Brand:** Decora Plus

**Function:** Surge Protective Isolated Ground

#### Standards and Certifications

**ANSI:** C-73

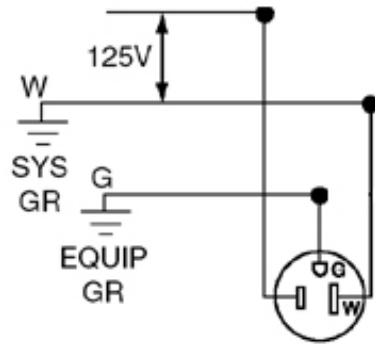
**CSA C22.2 No. 42:** File 152105

**NEMA:** WD-6

**NOM:** 057

**UL498HG:** File E13399

### Wiring Diagram



5-15R

### SPECIFICATION SUBMITTAL

|                                     |  |                      |
|-------------------------------------|--|----------------------|
| JOB NAME:<br><input type="text"/>   | CATALOG NUMBERS:<br><input type="text"/> |                      |
| JOB NUMBER:<br><input type="text"/> | <input type="text"/>                     | <input type="text"/> |

**Leviton Manufacturing Co., Inc.**

201 North Service Road, Melville, NY 11747

Teléfono: +1-800-323-8920 · FAX: +1-800-832-9538 · Tech Line (8:30AM-7:30PM E.S.T. Monday-Friday): +1-800-824-3005

**Leviton Manufacturing of Canada, Ltd.**

165 Hymus Boulevard, Pointe Claire, Quebec H9R 1E9 · Telephone: +1-800-469-7890 ·

FAX: +1-800-824-3005 · [www.leviton.com/canada](http://www.leviton.com/canada)

**Leviton S. de R.L. de C.V.**

Lago Tana 43, Mexico DF, Mexico CP 11290 · Tel.: (+52)55-5082-1040 · FAX: (+52)5386-

1797 · [www.leviton.com.mx](http://www.leviton.com.mx)

**Visit our Website at: [www.leviton.com](http://www.leviton.com)**

© 2018 Leviton Manufacturing Co., Inc. Todos los derechos reservados. Subject to change without notice.

**Leviton has a global presence.**

If you would like to know where your local Leviton office is located please go to:

[www.leviton.com/international/contacts/](http://www.leviton.com/international/contacts/)

