

# 5478-CWP



Color:  Gray

UPC Code: 07847704612

Country Of Origin: United States

NEMA:  
6-20P



## Brand Features

Leviton's Straight Blade Power Inlets are suitable for industrial indoor and outdoor applications. Glass-filled thermoplastic cover and plate provides outstanding impact resistance and durability. Stainless steel external hardware resists corrosive effects of moisture as dual gaskets, one under plate and one under lid, provide for a superior weather-resistant fit.

## Item Description

20 Amp, 250 Volt, NEMA 6-20P, 2P, 3W, Power Inlet Receptacle, Straight Blade, Industrial Grade, Grounding, , Standard Wire Wells Wired, Nylon Strap, - Gray

## Technical Information

### AC Horsepower Ratings

**At Rated Voltage:** 2 HP

### Electrical Specifications

**Grounding:** Grounding

**Amperage:** 20 A

**Voltage:** 250 VAC

**Pole:** 2

**Wire:** 3

**Dielectric Voltage:** Withstands 1500V per UL498

**Current Limiting:** Full Rated Current

**Temperature Rise:** Max 30C after 250 cycles OL at 200 percent rated current

### Environmental Specifications

**Flammability:** Rated V-2 per UL 94

**Operating Temperature:** -40°C to 60°C

**Environment:** Dry

### Material Specifications

**Face Material:** Nylon

**Body Material:** Nylon

**Cover and Plate Material:** Glass-Filled Thermoplastic

**Line Contacts:** Brass

**Terminal Screws:** Brass 10-32

**Grounding Screw:** Brass 8-32

**Strap Material:** Nylon

**Color:** Gray

### Mechanical Specifications

**Terminal ID:** Brass-Hot, Green-Ground, Silver-Neutral

**Terminal Accom.:** 18-10 AWG

**Product ID:** Markings are permanently marked on device

**Termination:** Standard Wire Wells

### Product Features

**NEMA:** 6-20P

**Color:** Gray

**Warranty:** 2 Year Limited

**Device Type:** Straight Blade Flanged Inlet

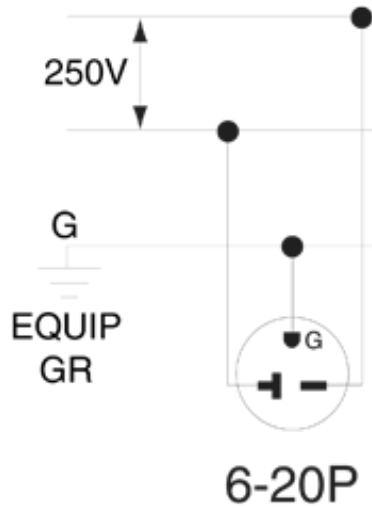
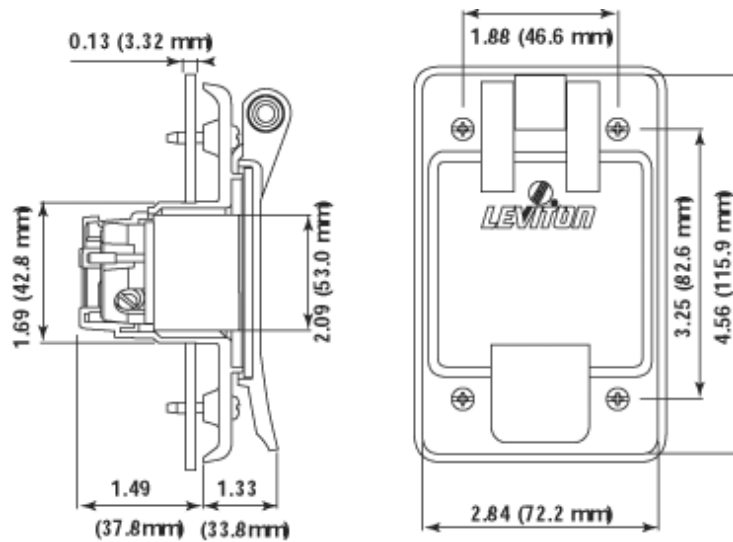
### Standards and Certifications

**NEMA:** WD-6

**ANSI:** C-73

**UL498:** File E13393

**CSA C22.2 No. 42:** File LR-16347



**SPECIFICATION SUBMITTAL**

JOB NAME: <input type="text"/>	CATALOG NUMBERS: <input type="text"/>
JOB NUMBER: <input type="text"/>	<input type="text"/>

**Leviton Manufacturing Co., Inc.**

201 North Service Road, Melville, NY 11747

Teléfono: +1-800-323-8920 · FAX: +1-800-832-9538 · Tech Line (8:30AM-7:30PM E.S.T. Monday-Friday): +1-800-824-3005

**Leviton Manufacturing of Canada, Ltd.**

165 Hymus Boulevard, Pointe Claire, Quebec H9R 1E9 · Telephone: +1-800-469-7890 ·

FAX: +1-800-824-3005 · www.leviton.com/canada

**Leviton S. de R.L. de C.V.**

Lago Tana 43, Mexico DF, Mexico CP 11290 · Tel.: (+52)55-5082-1040 · FAX: (+52)5386-

1797 · www.leviton.com.mx

Visit our Website at: [www.leviton.com](http://www.leviton.com)

© 2018 Leviton Manufacturing Co., Inc. Todos los derechos reservados. Subject to change without notice.

**Leviton has a global presence.**

If you would like to know where your local Leviton office is located please go to:

[www.leviton.com/international/contacts/](http://www.leviton.com/international/contacts/)

