

# 2730

## Brand Features

Leviton's Industrial Grade Locking Devices are built to provide unparalleled quality and superior performance in the most severe industrial settings. Leviton combines the best materials available with superior production standards to produce a broad selection of Locking Devices of unmatched flexibility and dependability.

## Item Description

30 Amp, 480 Volt 3-Phase, NEMA L16-30R, 3P, 4W, Flush Mtg Locking Receptacle, Industrial Grade, Grounding, V-0-MAX - BLACK



Color:  Black

UPC Code: 07847780965

Country Of Origin: Mexico

NEMA:  
L16-30R



## Technical Information

### AC Horsepower Ratings

**At Rated Voltage:** 10 HP

### Electrical Specifications

**Grounding:** Grounding

**Amperage:** 30 A

**Voltage:** 480 VAC

**Pole:** 3

**Wire:** 4

**Dielectric Voltage:** Withstands 2000V per UL498

**Current Limiting:** Full Rated Current

**Temperature Rise:** Max 30C after 250 cycles OL at 200 percent rated current

**Phase:** 3-Phase

### Environmental Specifications

**Flammability:** Rated V-0 per UL 94

**Operating Temperature:** -40°C to 60°C

**Environment:** Corrosive

### Material Specifications

**Face Material:** Ultramid

**Base Material:** Valox

**Line Contacts:** Brass

**Terminal Screws:** Chromated Brass

**Grounding Screw:** Chromated Brass

**Body Material:** Nylon

**Cover Material:** Valox 357

**Strap Material:** Nickel-Plated Brass

**Color:** Black

**Terminal Clamps:** Nickel-Plated Brass

**Ground Contacts:** Brass

### Mechanical Specifications

**Terminal ID:** Marked on Device

**Terminal Accom.:** 14-8 AWG

**Product ID:** Ratings and NEMA I.D. permanently marked on device

**Termination:** Back & Side

### Product Features

**Face Material:** Ultramid

**NEMA:** L16-30R

**Base Material:** Valox

**Color:** Black

**Warranty:** Lifetime Limited

**Device Type:** Locking Receptacle

**Brand:** V-0-Max

### Standards and Certifications

**NEMA:** WD-1 & WD-6

**ANSI:** C-73

**NOM:** 057

**UL:** 498

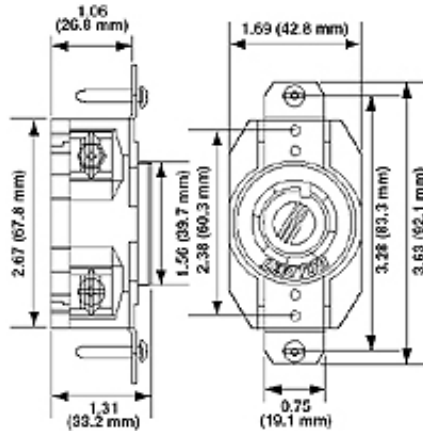
**UL Fed Spec:** W-C-596

**CSA:** C22.2 No. 42

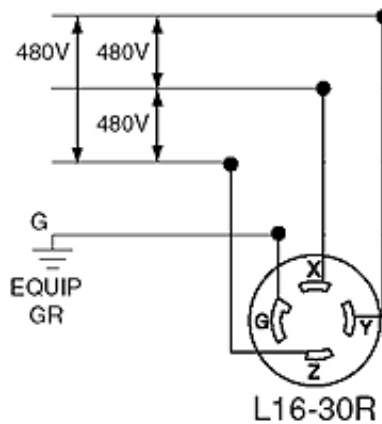
### Warranty

**Warranty:** Lifetime Limited

## Dimensional Diagram



## Wiring Diagram



## SPECIFICATION SUBMITTAL

JOB NAME:	CATALOG NUMBERS:	
<input type="text"/>	<input type="text"/>	<input type="text"/>
JOB NUMBER:	<input type="text"/>	<input type="text"/>

### Leviton Manufacturing Co., Inc.

201 North Service Road, Melville, NY 11747

Teléfono: +1-800-323-8920 · FAX: +1-800-832-9538 · Tech Line (8:30AM-7:30PM E.S.T. Monday-Friday): +1-800-824-3005

### Leviton Manufacturing of Canada, Ltd.

165 Hymus Boulevard, Pointe Claire, Quebec H9R 1E9 · Telephone: +1-800-469-7890 ·

FAX: +1-800-824-3005 · www.leviton.com/canada

### Leviton S. de R.L. de C.V.

Lago Tana 43, Mexico DF, Mexico CP 11290 · Tel.: (+52)55-5082-1040 · FAX: (+52)5386-

1797 · www.leviton.com.mx

Visit our Website at: [www.leviton.com](http://www.leviton.com)

© 2018 Leviton Manufacturing Co., Inc. Todos los derechos reservados. Subject to change without notice.

### Leviton has a global presence.

If you would like to know where your local Leviton office is located please go to:

[www.leviton.com/international/contacts/](http://www.leviton.com/international/contacts/)

