

22R28-B

Brand Features

Leviton's Cam-Type positive latching connectors and receptacles are the standard used by Navy bases and shipyards in supplying 3-phase power to ships at dockside. Our latching connector series has been tested to meet Navy specs, including intermateability with competition. They provide heavy duty, completely insulated connectors that are vibration resistant.

Item Description

22 Series Cam-Type, 15 Degree Female Panel Ball Nose, Threaded Stud with Microswitch, Cable Range 250 to 750 MCM - BLUE

Technical Information

Electrical Specifications

Max. Amperage: 690 Amp

Max. Voltage: 600 Volt

Material Specifications

Sleeve Material: Santroprene TPV

Contact Material: Brass

Strain Relief: Copper Wire

Mechanical Specifications

Gender: Female

Connection Type: Threaded Stud

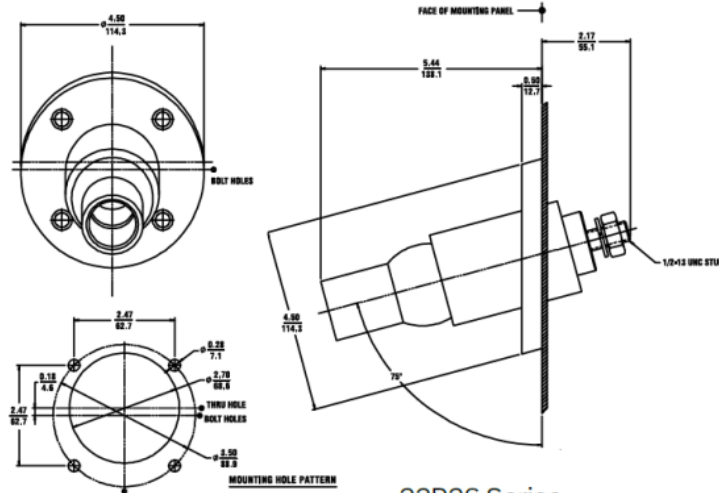
Cable Range: 250-750MCM

Product Features

Color: Blue



UPC Code: 07847755402



22R26 Series

SPECIFICATION SUBMITTAL

JOB NAME:	CATALOG NUMBERS:	
<input type="text"/>	<input type="text"/>	<input type="text"/>
JOB NUMBER:	<input type="text"/>	<input type="text"/>

Leviton Manufacturing Co., Inc.

201 North Service Road, Melville, NY 11747

Teléfono: +1-800-323-8920 · FAX: +1-800-832-9538 · Tech Line (8:30AM-7:30PM E.S.T. Monday-Friday): +1-800-824-3005

Leviton Manufacturing of Canada, Ltd.

165 Hymus Boulevard, Pointe Claire, Quebec H9R 1E9 · Telephone: +1-800-469-7890 ·

FAX: +1-800-824-3005 · www.leviton.com/canada

Leviton S. de R.L. de C.V.

Lago Tana 43, Mexico DF, Mexico CP 11290 · Tel.: (+52)55-5082-1040 · FAX: (+52)5386-

1797 · www.leviton.com.mx

Visit our Website at: www.leviton.com

© 2018 Leviton Manufacturing Co., Inc. Todos los derechos reservados. Subject to change without notice.

Leviton has a global presence.

If you would like to know where your local Leviton office is located please go to:

www.leviton.com/international/contacts/

