

20 Amp Stage Pin Connectors



Leviton's new line of 20 Amp Stage Pin Connectors has been redesigned to be more user-friendly, durable and safe. The new ergonomic profile fits more comfortably in your hand, making it much easier to assemble and disassemble. This results in reduced fatigue for both the assembler and the user who frequently connects and disconnects cable assemblies. The unique profile also increases safety, as it is less likely to get entangled with other equipment.

The re-designed strain relief system offers 30% more gripping power than the competitors offering, reducing the chance of personal injury or property damage that results when cables are accidentally stripped from their connectors under load. The additional strain relief power also helps extend cable assembly life, saving you time and money over its lifetime.

Features & Benefits

- Male pins and female contacts have a one-piece solid brass design for superior current flow and resistance from abuse.
- "Split" pins and contacts provide a spring action that extends life by compensating for wear.
- Pins and contacts "float" for improved electrical connections.
- USITT S3 compliance ensures compatibility with all competitive products.
- Terminal identification letters molded into device ensure quick and accurate termination.
- Superior ergonomic design reduces user fatigue and provides for safer connect/disconnect.
- Covers available in a variety of colors, and can be engraved or hot stamped with custom markings.

Applications

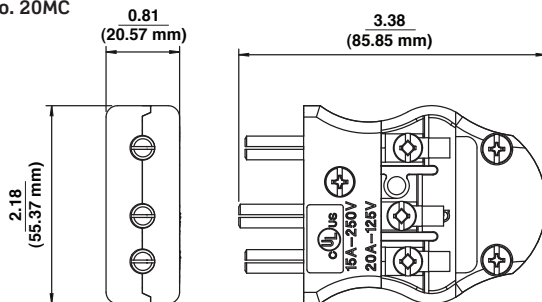
- Theatres
- Studios
- Schools
- Entertainment Venues
- Concert Halls
- Anywhere theatrical lighting is required

PRODUCT SPECIFICATIONS

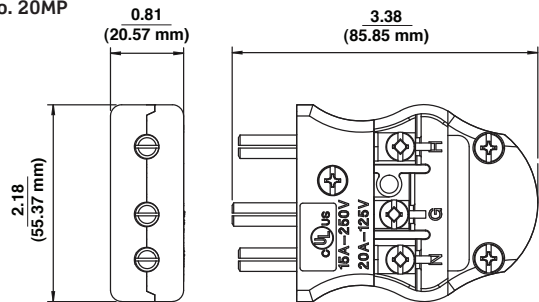
Electrical	
Dielectric Voltage	Withstands 2000V minimum per UL 498
Maximum Working Voltage	125V or 250V as rated on device
Current Interrupting	Certified for current interrupting at full rated current
Temperature Rise	Maximum 30°C temperature rise at full rated current after 150 cycles of overload at 150% rated DC current
Mechanical	
Body Material	PBT Thermoplastic polyester resin
Terminal Cover Material	Polycarbonate
Contacts	One-piece solid brass
Terminal Screws	#8-32 Brass
Assembly Screws	Hardened Steel
Terminal Identification	H-Hot, N-Neutral, G-Ground
Terminal Accommodation	#12 - #16 AWG
Product Identification	Rating molded into body
Environmental	
Flammability	Rated UL 94V-2
Operating Temperature	-20°C to 105°C

Description	Catalog No.	Color
15A 250V, 20A 125V, 2-P 3-W, GROUNDING Polycarbonate		
Male Plug – Screw Contact	20MP-E	Black
Male Plug – Screw Contact	20MP-CL	Black w/clear cover
Male Plug – Crimp Ring Terminal	20MC-E	Black
Male Plug – Crimp Ring Terminal	20MC-CL	Black w/clear cover
Female Connector – Screw Contact	20FP-E	Black
Female Connector – Screw Contact	20FP-CL	Black w/clear cover
Female Connector – Crimp Ring Terminal	20FC-E	Black
Female Connector – Crimp Ring Terminal	20FC-CL	Black w/clear cover

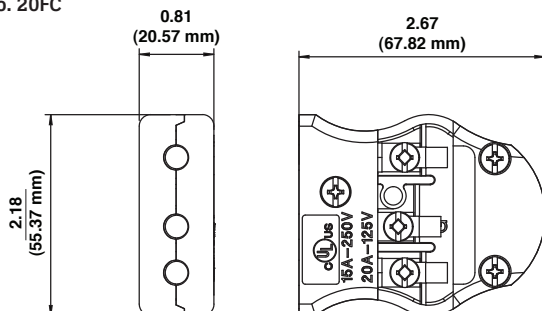
Cat. No. 20MC



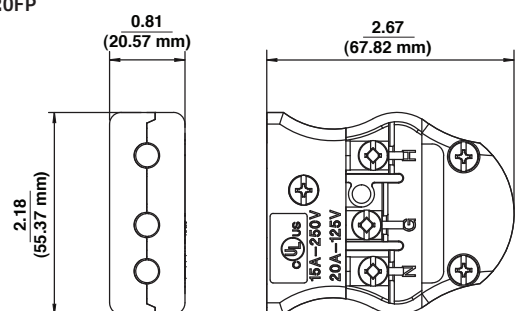
Cat. No. 20MP



Cat. No. 20FC



Cat. No. 20FP



Leviton Manufacturing Co., Inc.

59-25 Little Neck Parkway, Little Neck, NY 11362-2591 Telephone: 1-800-323-8920 FAX: 1-800-832-9538

Tech Line (8:30AM-7:30PM Monday-Friday): 1-800-824-3005 Website: www.leviton.com/industrial email: industrial@leviton.com

© 2008 Leviton Manufacturing Co., Inc. All rights reserved. Subject to change without notice.