

PRODUCT SPECIFICATIONS / INFO

LEVITON



1254-I

UPC Code: 07847783043

Country of Origin: Mexico - **Eligible for ARRA funded projects > \$7,443,000*



**Disclaimer*

Color: Ivory



NEMA: 5-15R



Description

15 Amp, 125 Volt, NEMA 5-15R, 2P, 3W, Industrial Series Extra Heavy Duty Specification Grade, 4-In-1 Receptacle, Straight Blade, Grounding, Steel Strap, - IVORY

Product Features

NEMA: 5-15R

Color: Ivory

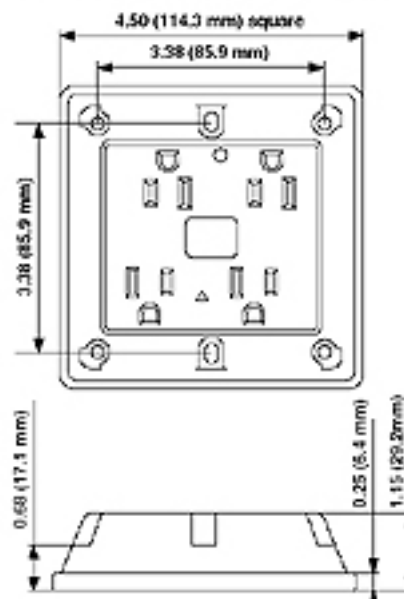
AC Horsepower Ratings	
At Rated Voltage	1/2 HP
Environmental Specifications	
Flammability	Rated V-2 per UL94
Operating Temperature	-40C to 60C
Mechanical Specifications	
Terminal ID	Brass-Hot, Green-Ground, White-Neutral
Terminal ID	Brass-Hot, Green-Ground, Silver-Neutral
Terminal Accom.	14-12 AWG
Product ID	Ratings are permanently marked on device
Torque Range	12-14 inch pounds

Electrical Specifications	
Grounding	Grounding
Amperage	15 Amp
Voltage	125 Volt
NEMA	5-15R
Pole	2
Wire	3
Dielectric Voltage	Withstands 2000V per UL498
Current Limiting	Full Rated Current
Temperature Rise	Max 30C after 50 cycles OL at 150 percent rated current

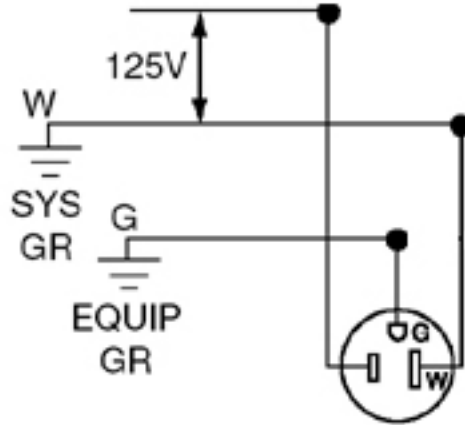
Material Specifications	
Terminal Screws	Brass 8-32
Grounding Screw	Steel 8-32 w/ 12AWG Green 8 Inch Pigtail
Face Material	Nylon
Body Material	Nylon
Line Contacts	Phosphor Bronze
Terminal Screws	Plated Brass
Grounding Screw	Plated Steel
Strap Material	Galvanized Steel with Riveted Ground Contacts
Color	Ivory

Standards and Certifications	
NEMA	WD-1 WD-6
ANSI	C-73
UL498	File E13399
CSA C22.2 No. 42	File 152105
NOM	057
Warranty	10 Year Limited

Dimensional Diagram



Wiring Diagram



5-15R

SPECIFICATION SUBMITTAL

JOB NAME: <input style="width: 95%;" type="text"/>	CATALOG NUMBERS: <input style="width: 95%;" type="text"/>
JOB NUMBER: <input style="width: 80%;" type="text"/>	<input style="width: 95%;" type="text"/>

Leviton Manufacturing Co., Inc.

201 North Service Road, Melville, NY 11747
 Telephone: 1-800-323-8920 · FAX: 1-800-832-9538 · Tech Line (8:30AM-7:30PM E.S.T. Monday-Friday): 1-800-824-3005

Leviton Manufacturing of Canada, Ltd.

165 Hymus Boulevard, Pointe Claire, Quebec H9R 1E9 · Telephone: 1-800-469-7890 · FAX: 1-800-824-3005 · www.leviton.com/canada

Leviton S. de R.L. de C.V.

Lago Tana 43, Mexico DF, Mexico CP 11290 · Tel.: (+52)55-5082-1040 · FAX: (+52)5386-1797 · www.leviton.com.mx

Visit our Website at: www.leviton.com

© 2007-2018 Leviton Manufacturing Co., Inc. All rights reserved. Subject to change without notice.

Leviton has a global presence.

If you would like to know where your local Leviton office is located please go to:
www.leviton.com/international/contacts/



**Buy American Compliant Logo -- The American Recovery And Reinvestment Act of 2009 ("ARRA") provides federal grants and loans for projects throughout the country. Section 1605 of the Act, named the "Buy American" provision, requires that certain materials and manufactured products used in projects funded by the Act be manufactured in the United States. The appearance of the Recovery Act Logo in relation to a Leviton product is only intended to reflect that such product may be used in an ARRA funded project. It does not mean that such product or Leviton is sponsored or endorsed by, or that Leviton receives funds from, the federal government or the Recovery Accountability and Transparency Board. Nothing in Leviton's use of the logo is intended to suggest anything regarding the requirements for funding under ARRA.*