



# 1223-2W

## Brand Features

Leviton's Industrial Grade AC toggle switches for extra heavy-duty applications represent top-of-the-line quality and peak performance. Leviton uses the finest materials available and the highest production standards to produce industrial switches of unmatched versatility and reliability.

## Item Description

20 Amp, 120/277 Volt, Toggle 3-Way AC Quiet Switch, Extra Heavy Duty Spec Grade, Self Grounding, Back & Side Wired - WHITE

## Technical Information

### AC Horsepower Ratings

**HP Rating:** 1HP-120V 2HP-240V-277V

**Max. Amperage:** 16 Amp

### Electrical Specifications

**Amperage:** 20 A

**Voltage:** 120/277 VAC

**Grounding:** Self-Grounding

**Dielectric Voltage:** Withstands 1500V for 1 minute

**Overload UL20 Test:** 100 cycles of OL at 4.8 times rated current

**Temperature Rise:** Maximum 30 degrees C rise

**Endurance:** 50,000 cycles minimum

### Environmental Specifications

**Flammability:** Rated V-2 per UL 94

**Operating Temperature:** -40°C to 65°C

### Material Specifications

**Strap Material:** Steel

**Base Material:** Thermoplastic

**Toggle:** Polycarbonate

**Cover Material:** Thermoplastic

**Contact Material:** Silver Alloy

**Terminal Screws:** Brass 8-32

**Grounding Screw:** Brass 8-32

**Ground Clips:** Brass

**Color:** White

### Mechanical Specifications

**Terminal ID:** Brass-Hot Black-Hot White-Neutral Green-Gnd

**Terminal Accom.:** 14-#10 AWG back wired; #14-#12 AWG side wired

**Product ID:** Ratings are permanently marked on device

**Torque Range:** 12-14 inch pounds

**Termination:** Back or Side Wire

### Product Features

**Color:** White

**Grounding:** Self-Grounding

**Voltage:** 120/277 VAC

**HP Rating:** 1HP-120V 2HP-240V-277V

**Body Material:** Thermoplastic

**Strap Material:** Steel

**Function:** 3-Way

**Grade:** Extra Heavy-Duty Industrial Specification Grade

**Device Type:** Toggle Switch

### Standards and Certifications

**NEMA:** WD-1 & WD-6

**ANSI:** C-73

**UL Fed Spec WS896E:** File #E7458

**UL Standard:** UL 20

**CSA C22.2 No. 111:** File #152105

**NOM:** 057

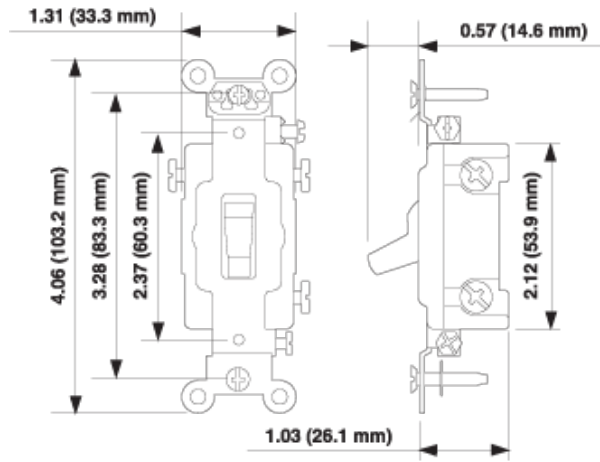
**RoHS:** Compliant

**Warranty:** 10 Year Limited

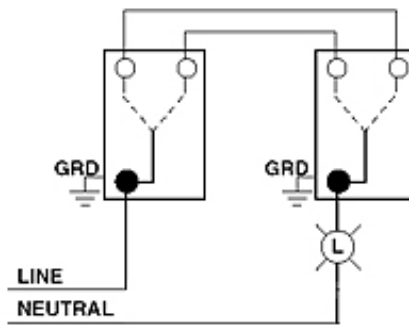
**Color:** White

**UPC Code:** 07847722348

**Country Of Origin:** United States



**3-WAY**  
**Wiring Diagram**  
**3-Way to 3-Way**



**SPECIFICATION SUBMITTAL**

JOB NAME:	CATALOG NUMBERS:	
<input type="text"/>	<input type="text"/>	<input type="text"/>
JOB NUMBER:	<input type="text"/>	<input type="text"/>

**Leviton Manufacturing Co., Inc.**  
 201 North Service Road, Melville, NY 11747  
 Teléfono: +1-800-323-8920 · FAX: +1-800-832-9538 · Tech Line (8:30AM-7:30PM E.S.T. Monday-Friday): +1-800-824-3005

**Leviton Manufacturing of Canada, Ltd.**  
 165 Hymus Boulevard, Pointe Claire, Quebec H9R 1E9 · Telephone: +1-800-469-7890 · FAX: +1-800-824-3005 · [www.leviton.com/canada](http://www.leviton.com/canada)

**Leviton S. de R.L. de C.V.**  
 Lago Tana 43, Mexico DF, Mexico CP 11290 · Tel.: (+52)55-5082-1040 · FAX: (+52)5386-1797 · [www.leviton.com.mx](http://www.leviton.com.mx)

Visit our Website at: [www.leviton.com](http://www.leviton.com)  
 © 2018 Leviton Manufacturing Co., Inc. Todos los derechos reservados. Subject to change without notice.

**Leviton has a global presence.**  
 If you would like to know where your local Leviton office is located please go to:  
[www.leviton.com/international/contacts/](http://www.leviton.com/international/contacts/)

