

Floor Boxes
Recessed Wall Boxes
3-Gang Cover/Mud Rings

HUBBELL

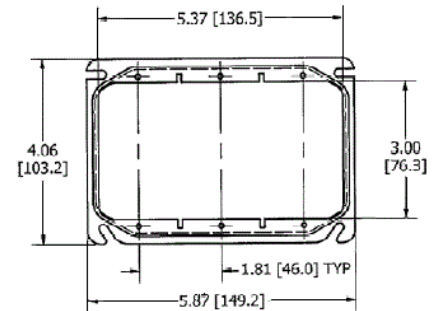


Ordering Information

Description	Device Type	UPC	Catalog Number
1/2" height	Cover/Mud Rings	783585445489	HBL792

Specifications

Compatible with	HBL263
Capacity (cu. in.)	10.3



Online Resources

[Customer Use Drawing](#)
[eCatalog](#)

Dimensions in Inches (mm)

Hubbell Wiring Device-Kellems • Hubbell Incorporated (Delaware) • 40 Waterview Drive • Shelton, CT 06484

Phone (800) 288-6000 • Fax (800) 255-1031 • Specifications subject to change without notice.

