

Raceway
Metal Raceway
HBL4750 Series Base Cutter

HUBBELL

Features

- Portable cutter for HBL4750 Series Raceway Base

Ordering Information

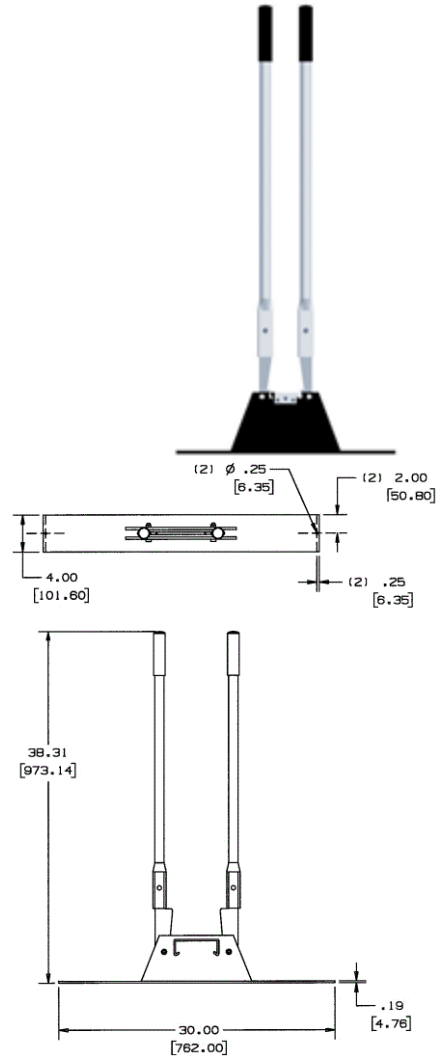
Description	Material	UPC Number	Catalog Number
Base Cutter	Steel	783585217482	HBL640B

Listings

UL Listed
CSA Certified

Specifications

Height	3'
Width	0.5"
Length	3'



Online Resources

Customer Use Drawing
eCatalog
Installation Instructions

Dimensions in Inches (mm)

Hubbell Wiring Device-Kellems • Hubbell Incorporated (Delaware) • 40 Waterview Drive • Shelton, CT 06484

Phone (800) 288-6000 • Fax (800) 255-1031 • Specifications subject to change without notice.

