

Twist-Lock® Devices
 50 A Twist-Lock® Accessories
 Inlet Closure Plug

HUBBELL

Features

- Non-metallic plug provides environmental protection
- Beaded chain tether

Ordering Information

Description	Device Color	UPC	Catalog Number
Black closure plug	Black	783585752624	HBL4892

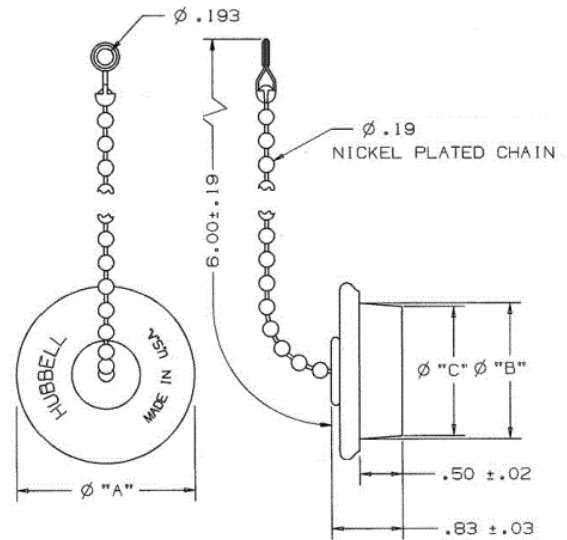


Specifications

Closure plug	Rubber
Chain	Nickel plated brass

Performance

Environmental	
Moisture Resistance	IP55 Suitability



Accessories

Inlet Accommodation	50 Ampere Twist-Lock®
---------------------	-----------------------

Resources

Customer Use Drawing
 eCatalog

Dimensions in Inches (mm)

Hubbell Wiring Device-Kellems • Hubbell Incorporated (Delaware) • 40 Waterview Drive • Shelton, CT 06484

Phone (800) 288-6000 • Fax (800) 255-1031 • Specifications subject to change without notice.

