

Straight Blade Devices
 15A, 125V, 2 Pole, 3 Wire Grounding
 4-PLEX® Receptacles

HUBBELL

Features

- Surge suppression with lights, 80 joules/6500A per mode
- Anchor hole and loop feature secures solid wire for fast, easy terminations
- Triple wipe contacts
- Easily accessible break-off tabs for split wiring
- Three conductors energize all four outlets

Ordering Information

Description	Device Color	UPC	Catalog Number
Surge suppression, 4-PLEX receptacle	Blue	783585017853	HBL415S

Listings

Listed to UL Standard 498 File E2186
 Certified to CSA 22.2, No. 42 File 285
 NEMA® WD-6 Compliant

Specifications

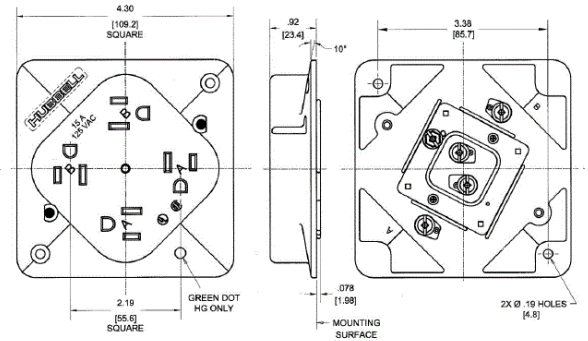
Face	Polycarbonate
Base	PBT
Power Contacts	.032 in. (.8) Brass
Ground Contacts	.031 in. (.8) Brass
Ground Plate	.032 in. (.8) Plated Steel

Performance

Electrical	
Current Interrupting	Capable of withstanding a fault level of 1000A, per UL498
Dielectric Voltage	Withstands 2,000V minimum

Mechanical	
Product Identification	Ratings are a permanent part of the device
Terminal Accommodation	#14-12 AWG stranded or solid copper conductor only
Terminal Identification	Terminals identified in accordance with UL 498 and CSA

Environmental	
Flammability	UL 94 V-2
Operating Temperatures	Maximum continuous 75°C; minimum -40°C (w/o impact)



Accessories

4-PLEX Adapter Plate	HBL4APBL
----------------------	----------

Resources

Customer Use Drawing
 eCatalog

Dimensions in Inches (mm)

Hubbell Wiring Device-Kellems • Hubbell Incorporated (Delaware) • 40 Waterview Drive • Shelton, CT 06484

Phone (800) 288-6000 • Fax (800) 255-1031 • Specifications subject to change without notice.

