

Ground Fault Products  
 Straight Blade Portable GFCI Plugs  
 15 Ampere, 120 Volts AC, 2 Pole, 3 Wire  
 Grounding

# HUBBELL

### Ordering Information

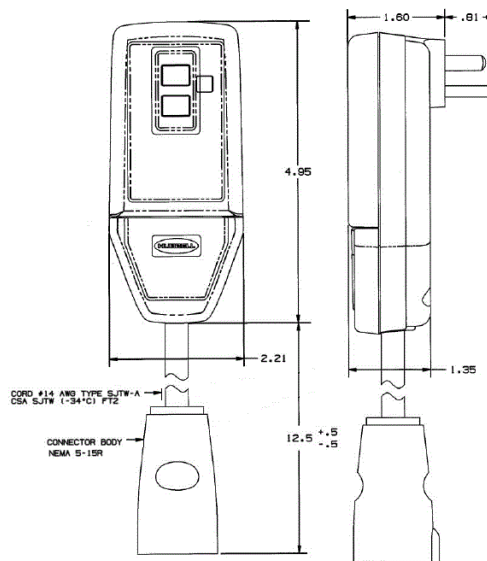
| Description   | Rating   | UPC          | Catalog Number |
|---|--|--------------|----------------|
| Circuit Guard® wired on industrial portable GFCI plug, manual set, yellow with connector body | 2 pole, 3 wire grounding, 15A, 125V, NEMA 5-15P, NEMA 5-1R | 783585690308 | GFP1C          |

### Listings

UL Listed  
 CSA Certified  
 NEC® and CEC requirements

### Specifications

|           |     |
|-----------|-----|
| Covers    | PVC |
| Load Cord | PVC |



### Online Resources

Customer Use Drawing  
 eCatalog  
 Installation Instructions

Dimensions in Inches (mm)

Hubbell Wiring Device-Kellems • Hubbell Incorporated (Delaware) • 40 Waterview Drive • Shelton, CT 06484

Phone (800) 288-6000 • Fax (800) 255-1031 • Specifications subject to change without notice.

