

Ground Fault Products  
 Portable GFCI Line Cords  
 Multiple Outlet Portable GFCI and GFCI  
 Module

# HUBBELL

## Features

- High impact UV stabilized housing for long life
- All-glass circuit board provides moisture immunity
- Watertight GFCI housing for use in harsh environments

## Ordering Information

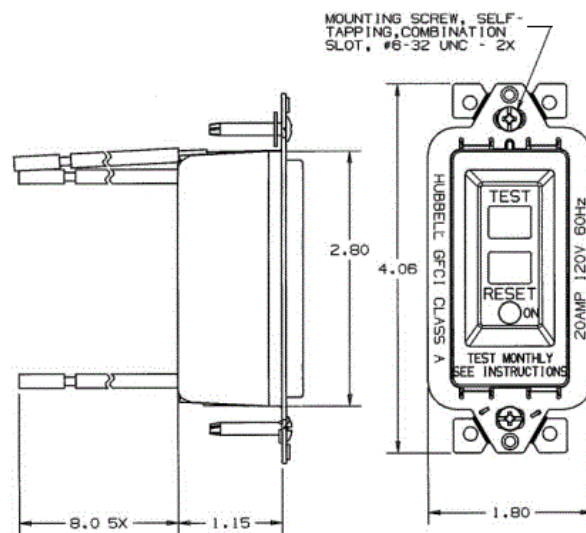
Description	Rating	UPC	Catalog Number
GFCI module - UL type 3R rated, automatic set, yellow	20A, 120V AC, 60 Hz	783585521022	GFM20A

## Listings

UL Listed  
 CSA Certified  
 IP21 Suitability

## Specifications

Housing	PBT
Cover	PBT
Flap	PBT
Screws	Zinc plated steel



## Online Resources

Customer Use Drawing  
 eCatalog  
 Installation Instructions

Dimensions in Inches (mm)

Hubbell Wiring Device-Kellems • Hubbell Incorporated (Delaware) • 40 Waterview Drive • Shelton, CT 06484

Phone (800) 288-6000 • Fax (800) 255-1031 • Specifications subject to change without notice.

