

Twist-Lock® Devices

50A, 125/250V AC, 3 Pole, 4 Wire Grounding

Receptacle

Features

- Thermoset construction offers high heat resistance
- Armored housing provides superior impact resistance
- One piece contacts provide low operating temperatures

Ordering Information

Description	Device Color	UPC	Catalog Number
Phenolic	Black	783585828107	CS6369

Standards

Listed to UL 498
Certified to CSA C22.2 No.42

Specifications

Body	Phenolic
Face	Phenolic
Contacts	Brass
Terminal Screws	Steel
Insulator	Phenolic

Performance

Electrical
Current Interrupting Certified for current interrupting at full rated current

Dielectric Voltage Withstands 2,000V minimum

Mechanical
Terminal Accommodation #10 AWG - #6 AWG solid or stranded copper wire only

Environmental
Flammability UL 94 V0
Operating Temperatures Maximum continuous 75°C; minimum -40°C (w/o impact)

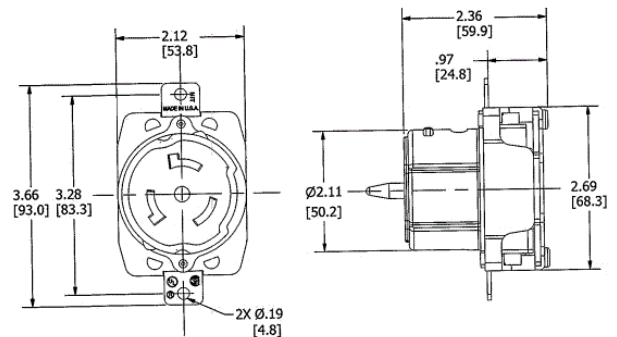
Accessories

Plug	CS6365C
Weatherproof Lift Cover	HBL7774WO
Single Gang Stainless Steel Wallplate	SS750
4" Square Raised Cover	HBL50SC

Online Resources

Customer Use Drawing
eCatalog
Installation Instructions

HUBBELL



Dimensions in Inches (mm)

Hubbell Wiring Device-Kellems • Hubbell Incorporated (Delaware) • 40 Waterview Drive • Shelton, CT 06484

Phone (800) 288-6000 • Fax (800) 255-1031 • Specifications subject to change without notice.

