

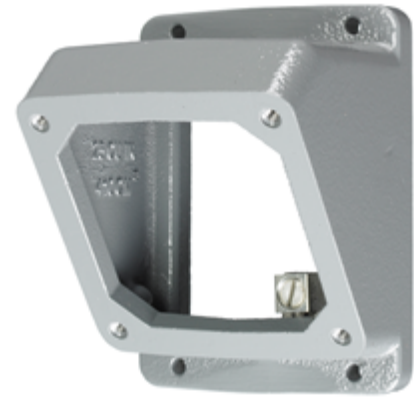
**IEC Pin and Sleeve
Accessories
Angled Adapter**

HUBBELL

Ordering Information

Description	UPC	Catalog Number
55 Degree Angle adapter only for 16, 20, 30 and 32A Watertight IEC Pin and Sleeve devices	783585810058	AA203055

Device Color
Gray



Specifications

Accessory Item	Angle Adapter
Angle	55 Degree Angle
Material	Cast Metal

Performance

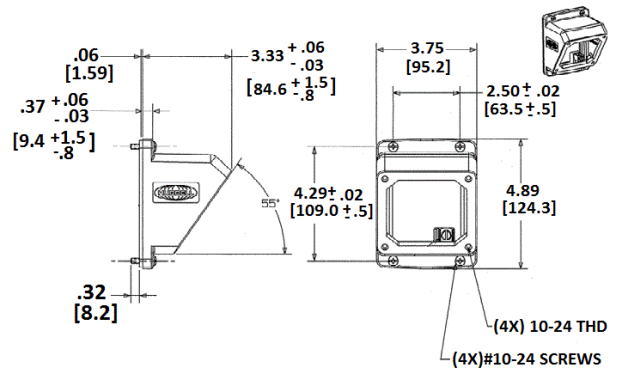
Environmental	
Moisture Resistance	IP54 Suitability

Accessories

Receptacle/Inlet Accommodation	16A, 20A, 30A & 32A IEC Pin & Sleeve
--------------------------------	-----------------------------------------------------

Online Resources

Customer Use Drawing
eCatalog
Installation Instructions



Dimensions in Inches (mm)

Hubbell Wiring Device-Kellems • Hubbell Incorporated (Delaware) • 40 Waterview Drive • Shelton, CT 06484

Phone (800) 288-6000 • Fax (800) 255-1031 • Specifications subject to change without notice.

