

Cable Management Horizontal Cable Manager SD-Series Rail Mounted

HUBBELL

Features

- Mount directly to rail for a simple covered look
- Plastic fingers can be removed where needed for cable entrance
- Cover is removeable to allow for easy addition of patch cords



Ordering Information

Rack Units	Depth	Catalog Number	UPC
2 RU	3"	HSD23	662620249919

Listings

EIA/ECA-310-E Universal Mounting Pattern

Specifications

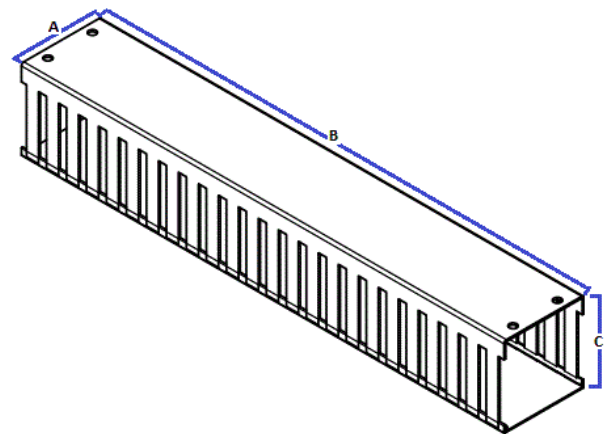
Material	Plastic
----------	---------

Characteristics

Cover	Press On
Corresponding Vertical Cbl Mgr	VSD Series

Accessories

Black Velcro Roll	HVFBK575
9" Velco Strips, Yellow	MCCMV9YL10



Dimensions- inches (mm)

A	2 RU, 3.2" (81)
B	19" (483)
C	3.2" (81)

Online Resources

Customer Drawings
Customer Use Drawing
eCatalog