

FEATURES

- Rotary action cam latches. Smooth operating for secure shielding retention
- Corner hinging for easy insertion and removal of shielding frame
- Flush steel shielding frame, screw assembled for easy diffuser replacement
- Housing ends secured by unique corner interlock and screws
- Metal to metal light leak protection on all four sides of shielding frame
- Rotary lock lampholders for positive lamp contact
- Heat sink embossments behind ballasts for cooler operation, longer life
- Recessed, surface or cable mount
- UL listed 1598

PROJECT INFORMATION

Project Name _____

Type _____

Catalog No. _____

Date _____

CONSTRUCTION

Housing is constructed of heavy gauge steel, die formed for extra rigidity. Door frame hinges and latches from either side. Wireway accessible from below for upgrades or maintenance.

BALLASTS

Energy efficient, thermally protected, automatic resetting, Class "P", high power factor, sound rated A, unless otherwise specified. For a specific vendor and/or ballast, specify as option. CEE NEMA Premium compliant.

ELECTRICAL

Standard class "P," thermally protected, autoresetting HPF ballast, sound rated A. CEE NEMA Premium compliant. All ballast leads extend a minimum of 6" through access location. NEC/CEC compliant ballast disconnect is standard.

FINISH

All metal parts processed with a phosphate bonding treatment. Grid units are pre-painted with high gloss baked white enamel, 86% reflective. Polyester powder coat paint after fabrication (PAF) option available, reflectance 90%.

SHIELDING

100% virgin acrylic prismatic 12, extruded and roll-embossed, diagonally oriented female prisms standard. Other shielding may be specified. If desired shielding media is not shown in ordering guide, contact your local Hubbell Lighting representative.

CEILING COMPATIBILITY

Designed for recessed installation in standard inverted tee grid ceilings (G), recessed installation in hard ceilings (G with FK accessory), Surface mount at ceiling plane (SM) or cable mount suspension below ceiling plane (CM). For compatibility with specific ceilings contact your Hubbell Lighting representative.

CERTIFICATION

All luminaires are built to UL 1598 standards and bear appropriate UL and cUL or CSA labels. Damp location labeling is standard. Emergency-equipped fixtures labeled UL 924. UL Sanitation Approved.

ORDERING INFORMATION

EXAMPLE JT822-232U6G-FSA12-EU-F0730U6-C388

JT8		22		-		-		-		-	
MODEL	NO. OF LAMPS	CEILING TYPE	SHIELDING	VOLTAGE	BALLAST	OPTIONS					
JT8 Dedicated T8 Lensed Troffer	2 Two 3 Three 4 Four	G Inverted T-Bar ¹ SM Surface Mount CM Cable Mount ²	A12 Pattern 12 Acrylic 0.100" Nominal (Std.) A12.125 Pattern 12 Acrylic 0.125" Nominal A19 Pattern 19 Acrylic 0.156" Male Prism PC1 Silver Parabolic Louver ½" x ½" x ½"	U 120V-277V 347 347V	E Electronic T8, Instant Start 3E 3-Lamp Electronic T8, Instant Start 4E 4-Lamp Electronic T8, Instant Start (17W lamps only) ETT Electronic Twin Tube, Instant Start (Specify voltage) EPTT Electronic Twin Tube, Program Start	F0830U1 T8 U Lamps, 1½" Leg Spacing, 80CRI, 3000K, Furn/Inst. F0835U1 T8 U Lamps, 1½" Leg Spacing, 80CRI, 3500K, Furn/Inst. F0841U6 T8 U Lamps, 6" Leg Spacing, 80CRI, 4100K, Furn/Inst. F835 35K 80CRI T8 Lamps Installed GLR Fast Blow Fuse EL Emergency Battery Pack Installed ³ PAF Paint after Fabrication MS9 Master/Satellite w/ 9' Harness C388 ¾" Flex with 3 No. 18 Wires C384 ¾" Flex with 3 No. 14 Wires C488 ¾" Flex with 4 No. 18 Wires C424 ½" Flex with 4 No. 14 Wires G1 Single Gasket (Door to Housing) G2 Double Gasketing (G1 and Lens to Door) G3 Triple Gasketing (G2 and Housing to Ceiling) EOR End of Row (SM/CM only) ^{4,5} INT Intermediate (SM/CM only) ^{4,5} CP Chicago Plenum					
SIZE 22 2' x 2'	DOOR STYLE FS Flush Steel FA Flush Aluminum	For additional door styles contact your local Columbia Lighting representative.		For more shielding, see options and accessories section.		For a specific ballast vendor, show as option.					
LAMP TYPE 17 2', T8: 17 Watt (Two, three, or four lamps) 31U1 U-Bent, 1½" Leg Spacing T8: 31 Watt (Two or three lamps) 32U6 U-Bent, 6" Leg Spacing T8: 32 Watt (Two lamps only) 40TT Twin Tube Compact Fluorescent: 40 Watt (Two or three lamps)											

ACCESSORIES (ORDER SEPARATELY)

FK22 2' x 2' Single Flange Kit

FKCR Flange Kit, Continuous Row

CM48Y25C3F-KIT 48" Cable Mount Kit for 2' Wide CM ceiling type, 3 Wire Feed Cord

¹ For drywall order flange kit accessories separately.

² Order hanger accessories separately.

³ 3-lamp fixture utilizes 2 ballast compartments and can mount any standard battery pack. 2 and 4-lamp fixtures can only mount one ballast and one 9" long or shorter battery pack. All other battery packs must be externally mounted by others.

⁴ Provides ends with wiring access for continuous row mounting.

⁵ Contact Hubbell representative for continuous row, 3-lamp fixtures.



Test 13122 Test Date 4/29/02

PHOTOMETRIC DATA

LUMINAIRE DATA

Luminaire	JT822-232U6G-FSA12 JT8 Lensed Troffer 2' x 2' 2-Lamp With A-12 Pattern Acrylic Prismatic Lens
Ballast	B232R120HP
Ballast Factor	0.99
Lamp	FB032U6
Lumens per Lamp	2750
Watts	58
Mounting	Recessed
Shielding Angle	0° = 90 90° = 90
Spacing Criterion	0° = 1.32 90° = 1.23

ZONAL LUMEN SUMMARY

Zone	Lumens	%Lamp	%Fixt.
0-30	1294	23.5	31.4
0-40	2111	38.4	51.2
0-60	3496	63.6	84.8
0-90	4123	75.0	100.0
0-180	4123	75.0	100.0

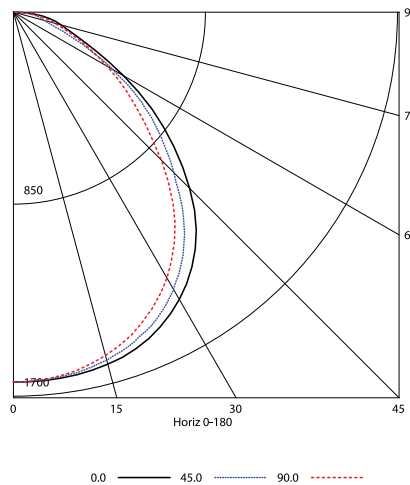
ENERGY DATA

Total Luminaire Efficiency	75.0%
Luminaire Efficacy Rating (LER)	70
ANSI/IESNA RP-1-2004 Compliance	Noncompliant
Comparative Yearly Lighting Energy Cost per 1000 Lumens	\$3.43 based on 3000 hrs. and \$0.08 per KWH

COEFFICIENTS OF UTILIZATION (%)

RCR	RW	80				70				50				0
		70	50	30	10	70	50	30	10	50	30	10	0	
1	82	79	76	73	80	77	74	72	74	72	70	64		
2	75	70	65	61	73	68	64	60	66	62	59	55		
3	69	62	56	51	67	61	55	51	58	54	50	47		
4	64	55	49	44	62	54	48	44	52	47	43	40		
5	59	49	43	38	57	49	43	38	47	42	38	35		
6	54	45	38	34	53	44	38	34	43	37	33	31		
7	50	41	34	30	49	40	34	30	39	34	30	28		
8	47	37	31	27	46	37	31	27	36	30	27	25		
9	44	34	28	24	43	34	28	24	33	28	24	22		
10	41	32	26	22	40	31	26	22	31	25	22	20		

INDOOR CANDELA PLOT



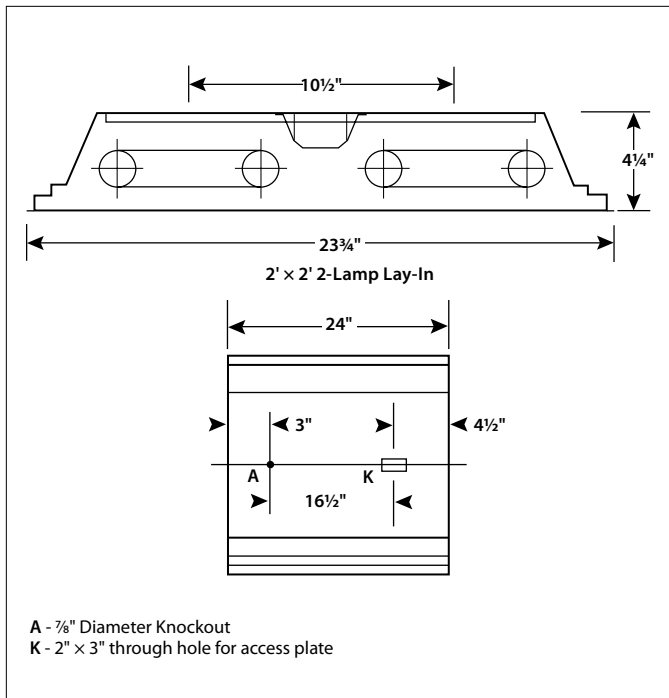
AVG. LUMINANCE (Candela/Sq. M.)

Average Luminance Angle	0.0	22.5	45.0	67.5	90.0
0	5320	5320	5320	5320	5320
30	5508	5452	5317	5159	5099
40	5341	5184	4959	4730	4658
45	5069	4871	4614	4361	4256
50	4691	4550	4297	3989	3822
55	4249	4124	3915	3569	3467
60	3659	3510	3315	3074	3113
65	3060	2899	2607	2607	2776
70	2708	2499	1967	2309	2508
75	2737	2335	1783	2260	2373
80	3050	2395	2115	2227	2489
85	3318	2796	2312	2349	2610

RCR = Room Cavity Ratio

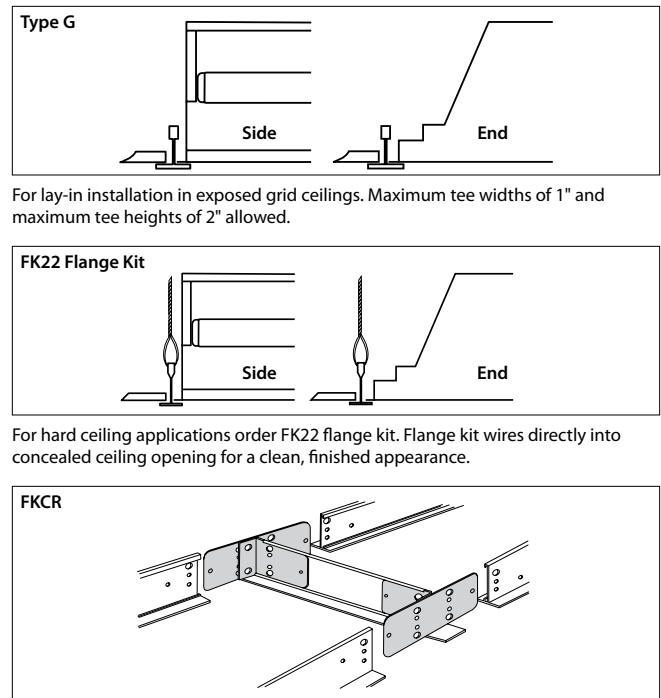
RC = Effective Ceiling Cavity Reflectance RW = Wall Reflectance

DIMENSIONAL DATA



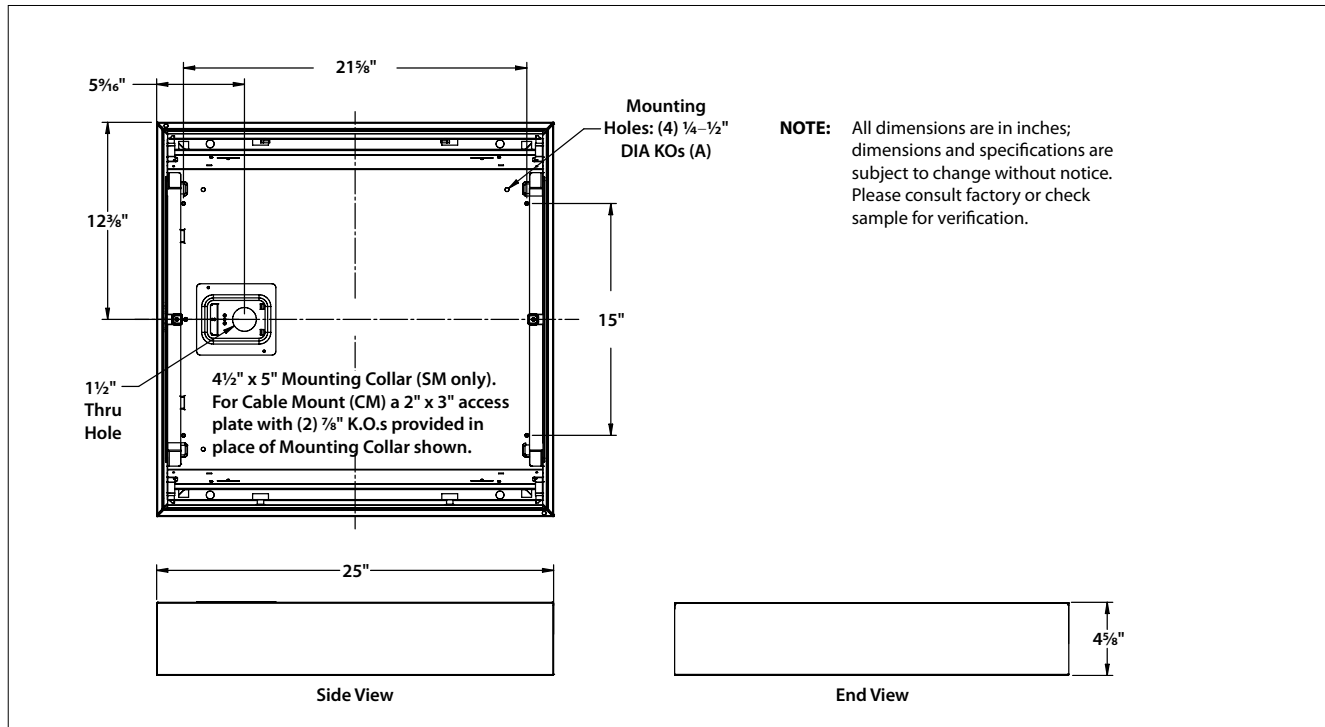
NOTE: All dimensions are in inches; dimensions and specifications are subject to change without notice. Please consult factory or check sample for verification.

CEILING COMPATIBILITY



Row cut out dimensions using FK22 & FKCR adapters:
Width 24 3/8", Length [24" x (# in row)] + 3/4". Example: (24" x 2) + 3/4" = 48 3/8"
Flange kit rough in dimensions for single unit only: 24 3/8" x 24 3/8"

DIMENSIONAL DATA - SURFACE MOUNT (SM) OR CABLE MOUNT (CM)



SURFACE MOUNT

Order SM ceiling type. Mounting collar required for surface mounting. (4) Mounting knock-outs, 1/4" to 1/2" provided as shown, marked "A".

CABLE MOUNT

Order CM ceiling type. Access plate supplied for cable mounting or suspension. Use CM48Y2SC3F-KIT 48" cable mount kit. Includes 3 wire feed cord. For other wiring needs, contact Hubbell Lighting representative. Mounting knock-outs, 1/4" to 1/2", provided as shown, marked "A".