

DESCRIPTION

The CU2W Series offers LED performance and value with a compact and attractive wet location LED based emergency light. The grey housing is made of corrosion resistant UV stabilized polycarbonate. Lamp-heads are fully adjustable, sealed and gasketed. Lamp-head consists of metallized high-performance reflector and 15 ultra-bright LED's with tempered glass lens. Includes external mounting brackets for ease of installation.

The CU2W has adequate capacity to run 1 CWRD double-head remote or 2 CWRS single-head remotes at 9.6VDC for 90 minutes.

APPLICATION

The CU2W Series can be applied in areas that are susceptible to rain and severe moisture like pool areas, parking decks, and other commercial applications.

COMPLIANCES

UL924 Listed for Wet Location
 NFPA 101 and NFPA 70
 OSHA

WARRANTY

2 year full unit warranty

INPUT POWER REQUIREMENTS

Catalog Number	Input Watts (W)		Input Amps (A)	
	120 V	277 V	120 V	277 VAC
CU2W	2.7	2.7	0.03	0.013



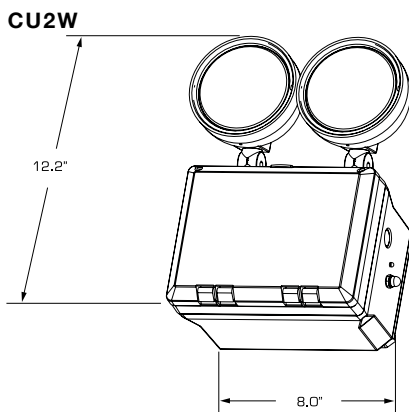
FEATURES

- LED life-cycle of more than 10 years
- Quick installation
- Dual-voltage 120 or 277V AC input
- Includes long-life 9.6VDC Nickel Cadmium battery for UL recognized 90 minute operation
- Remote capacity or extended runtime option
- Wet Location Listed (0°C to 50°C)
- Fully adjustable lamp-heads
- Provided with water-proof test switch and AC-On indicator

ORDERING GUIDE

Catalog Number	Description	Lamp Watts (Each)
CU2WG	Dual-Head Fully Adjustable, Grey Finish	1.875 watt
CU2WB	Dual-Head Fully Adjustable, Black Finish	1.875 watt

DIMENSIONS



Single Carton Weight: 7.5 lbs.
Master Carton Quantity: 4 each

ACCESSORIES

- CWRS-** Die-Cast Outdoor Single-head LED Remote for CU2W Only, Grey Finish
- CWRD-** Die-Cast Outdoor Double-head LED Remote for CU2W Only, Grey Finish



DIMENSIONS

