

► Model TELB

## TelCom® Telephone Extension Ringer Device



Federal Signal's TELB TelCom® Extension Ringer Device is a vibrating bell which is activated by the ringing signal of a telephone system. The TELB is specifically designed for use with an analog telephone. The ringing signal of 40-150VAC, 16-60Hz and local 120VAC power is all that is required to activate a TelCom signal.

This TelCom device is intended to be mounted on a vertical surface such as a rigid wall or post. The TELB has a three-conductor six-foot, 120VAC power cord extending from the unit. Connecting the TelCom device to the telephone network is done by running a modular telephone line cord (RJ11) to an existing jack or a duplex jack (customer supplied) into an existing modular jack. The TELB is designed with a durable zinc die-cast housing painted with gray powder coat enamel, and features an internal solid-state relay.

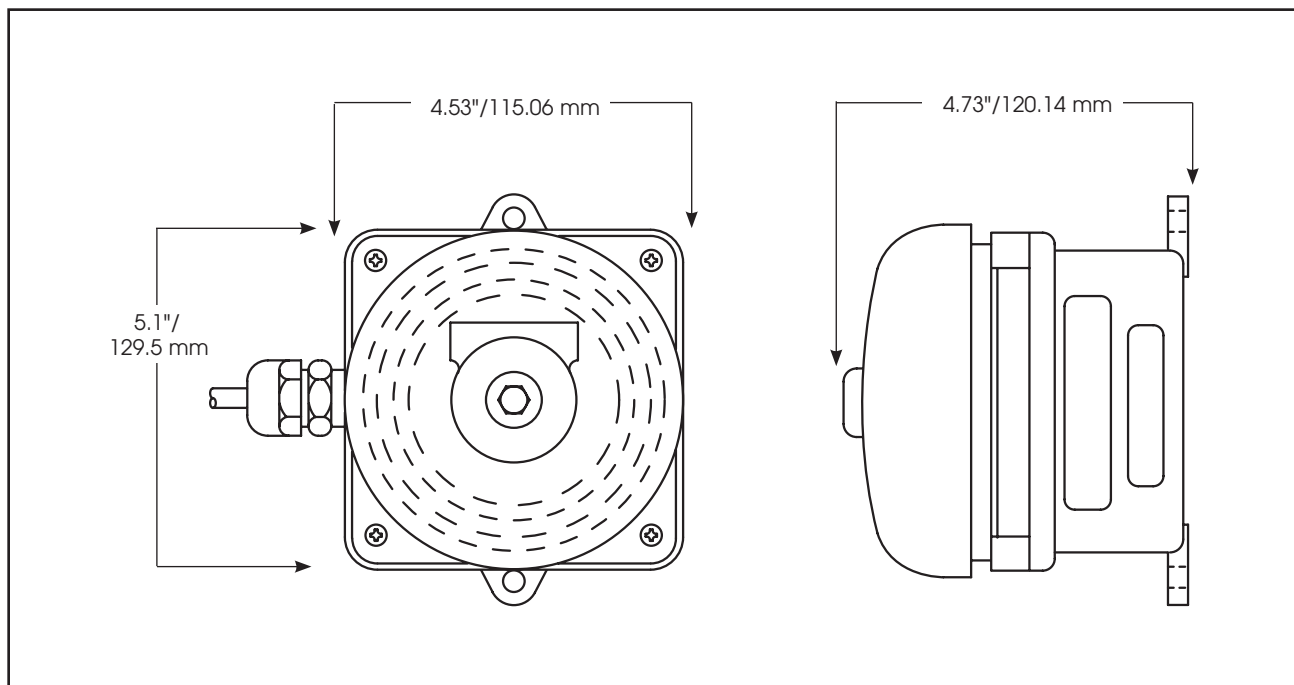
Telcom devices are designed for high ambient noise areas such as manufacturing facilities, machine and sheet metal shops. They are also useful in large open areas such as a warehouse, loading dock, or a large office.

### FEATURES

- Available in 120VAC
- Bell signals an incoming call
- Activated by ringing voltage (analog telephone only)
- Type 1 enclosure
- 98 dBa signal @ 10' (108 dBa @ 1m)
- CSA Certified
- FCC Approved
- UL Listed for indoor use

MODEL	VOLTAGE	OPERATING CURRENT	DECIBELS	
			10'	1M
<b>TELB-120</b>	120VAC	0.104 amps	98	108

## Telephone Extension Ringer Device (TELB)



### SPECIFICATIONS

Operating Temperature:	32°F to 112°F	0°C to 44°C
Ringing Signal:	90VAC, 20Hz	90VAC, 20Hz
Ring Detection:	15.8-60Hz, 40-150VAC	
Humidity Range (Storage and Operating):	0 to 85% R.H, noncondensing	
FCC Ringer Equivalence Number (REN):	1.0B	
Net Weight:	2.6 lbs	1.18 kg
Shipping Weight:	3.2 lbs	1.45 kg
Height:	5.1"	129.5 mm
Width:	4.53"	115.06 mm
Depth:	4.73"	120.14 mm

### HOW TO ORDER

**Specify Model:**

**TELB-120** – TelCom® 4" bell, 120VAC

► Model TELC

# TelCom<sup>®</sup> Telephone Extension Ringer Device



Federal Signal's Model TELC Extension Ringer Device is a horn and strobe combination signal which is activated by the ringing signal of a telephone system. The TELC is specifically designed for use with an analog telephone. The ringing signal of 40-150VAC, 16-60Hz and local 120VAC power is all that is required to activate a TelCom signal.

This TelCom<sup>®</sup> device is intended to be mounted on a vertical surface such as a rigid wall or post. The TELC has a three-conductor, six-foot, 120VAC power cord extending from the unit. Connecting the TelCom device to the telephone network is accomplished by running a modular telephone line cord (RJ11) to an existing jack or a duplex jack (customer supplied) into an existing modular jack. The TELC is designed with a durable zinc die-cast housing painted with gray powder coat enamel, and feature an internal solid-state relay.

This combination audible/visual signal features the Vibratone horn and a three-dimensional strobe to notify when the telephone rings.

Telcom devices are designed for high ambient noise areas such as manufacturing facilities, machine and sheet metal shops. They are also useful in large open areas such as a warehouse, loading dock or a large office.

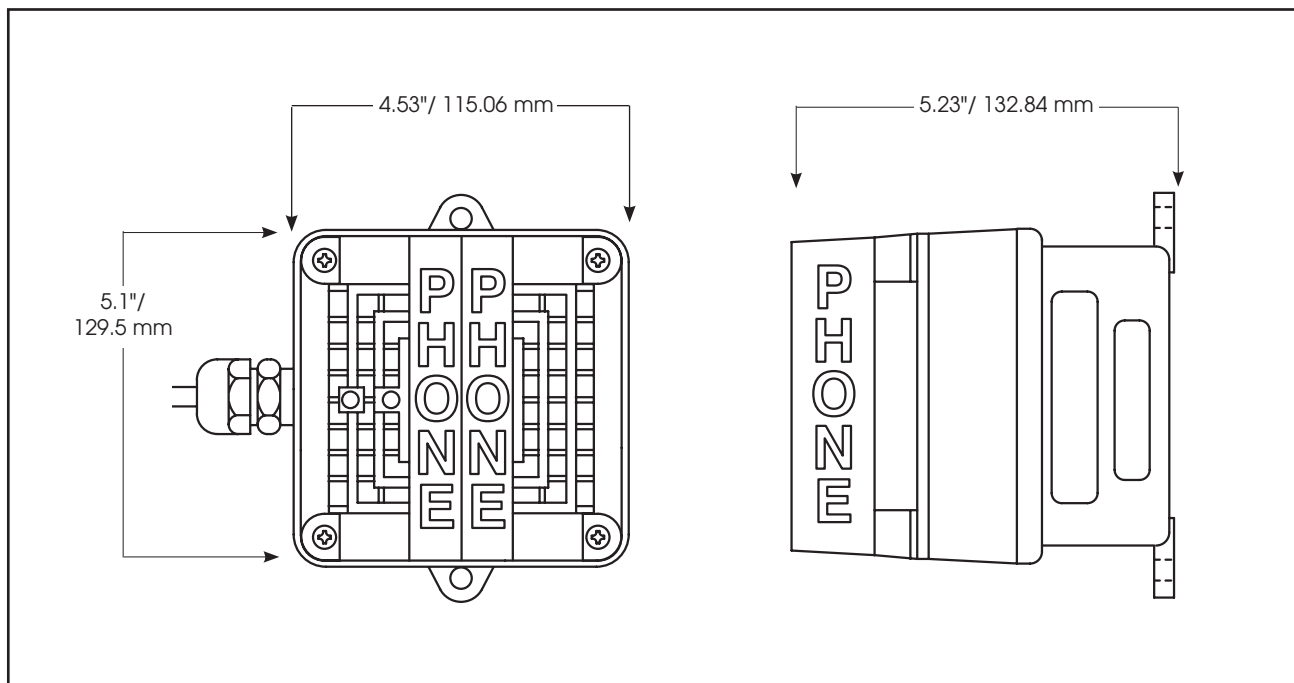
## FEATURES

- Available in 120VAC
- Horn and strobe signals an incoming call
- Activated by ringing voltage (analog telephone only)
- Type 1 enclosure
- CSA Certified
- FCC Approved
- UL Listed for indoor use

MODEL	VOLTAGE	OPERATING CURRENT	DECIBELS		FLASH RATE PER MINUTE	CANDELA PEAK <sup>1</sup>
			10'	1M		
<b>TELC-120</b>	120VAC	0.24 amps	100	110	80	108,000

<sup>1</sup> Peak candela is the maximum light intensity generated by a flashing light during its light pulse

## Telephone Extension Ringer Device (TELC)



### SPECIFICATIONS

Operating Temperature:	32°F to 112°F	0°C to 44°C
Ringing Signal:	90VAC, 20Hz	90VAC, 20Hz
Ring Detection:	15.8-60Hz, 40-150VAC	
Humidity Range (Storage and Operating):	0 to 85% R.H, noncondensing	
FCC Ringer Equivalence Number (REN):	1.0B	
Net Weight:	3.0 lbs	1.36 kg
Shipping Weight:	3.4 lbs	1.54 kg
Height:	5.1"	129.5 mm
Width:	4.53"	115.06 mm
Depth:	5.23"	132.84 mm

### HOW TO ORDER

#### Specify Model:

**TELC-120** – TelCom® combination strobe and horn, 120VAC