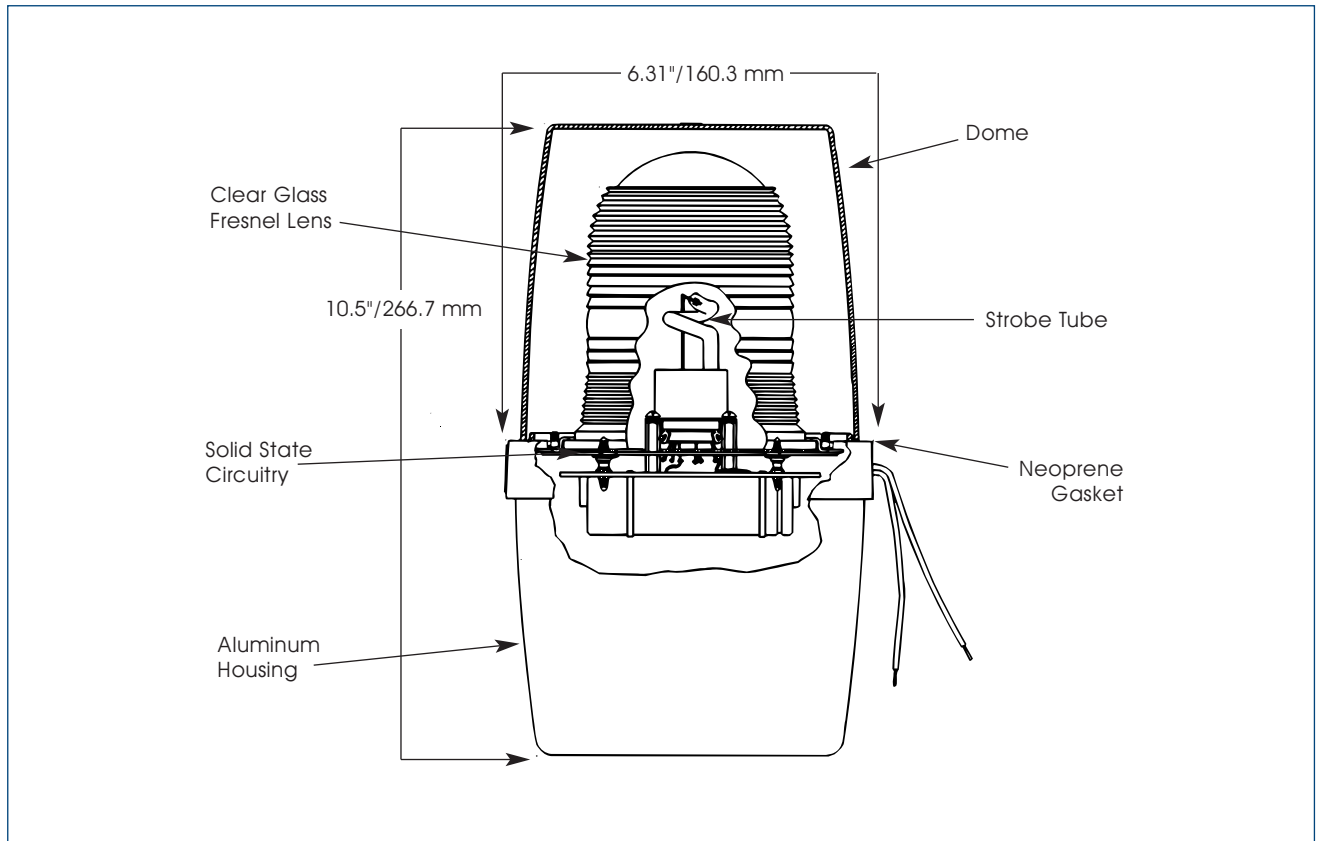


## STROBE AUDIBLE/VISUAL WARNING SIGNAL (400ST)



### SPECIFICATIONS

Lamp Life*:	10,000 hours	10,000 hours
Lamp Style:	Strobe	Strobe
Operating Temperature:	-31°F to 150°F	-35°C to 66°C
Net Weight:	4.5 lbs.	2.0 kg
Shipping Weight:	5.1 lbs.	2.3 kg
Height:	10.5"	266.7 mm
Diameter:	6.31"	160.3 mm

\* Optimal hours under ideal conditions.

### HOW TO ORDER

- Specify model, voltage and color
- Specify options:  
Audible signaling with horn (350) and mounting kit (400HMK-AC) sold separately
- Please refer to Model Number Index 400ST beginning on page 377

### REPLACEMENT PARTS

<i><b>Description</b></i>	<i><b>Part Number</b></i>
Exterior Dome, Amber	K8547C001A-04
Exterior Dome, Blue	K8547C001A-02
Exterior Dome, Clear	K8547C001A-05
Exterior Dome, Green	K8547C001A-03
Exterior Dome, Red	K8547C001A-01
Interior Fresnel Lens, Clear	K8248C004E-04
Strobe Tube	K8107178A
PC Assembly, 120VAC	K200D825E