



► Model 50GCB

SelecTone® Ceiling Mount Amplified Speaker

Federal Signal's Model 50GCB SelecTone® Amplified Speaker is designed to produce crisp, clear tones, digital voice messages and live public address. Designed to mount in ceilings, the 50GCB features a seven-inch white grille over a 4" speaker amplifier.

SelecTone Amplified Speakers are used individually or as part of a plant-wide emergency notification system. The Model UTM Universal Tone Module, with 32 tones, or the TM33 Custom Tone Module is plugged into a single SelecTone Amplified Speaker for stand-alone use or into a SelecTone Command Unit for plant-wide signaling.

For plant-wide signaling, a Connector Kit is installed into each SelecTone Amplified Speaker and wired to a central controller, a SelecTone Command Unit or a CommCenter® Digital Message Center. SelecTone Command Units and CommCenter Digital Message Centers can broadcast tones, voice messages, melodies and live public address to an unlimited number of SelecTone Amplified Speakers.

The 50GCB is designed for areas without high ambient noise levels, such as offices, hallways and receptions areas. The baffle allows the four-inch speaker to be installed easily in any suspended ceiling plenum with a Model R4NB backbox. The white grill of the 50GCB is attractive in most decors.

Emergency signaling or paging are common applications for SelecTone.

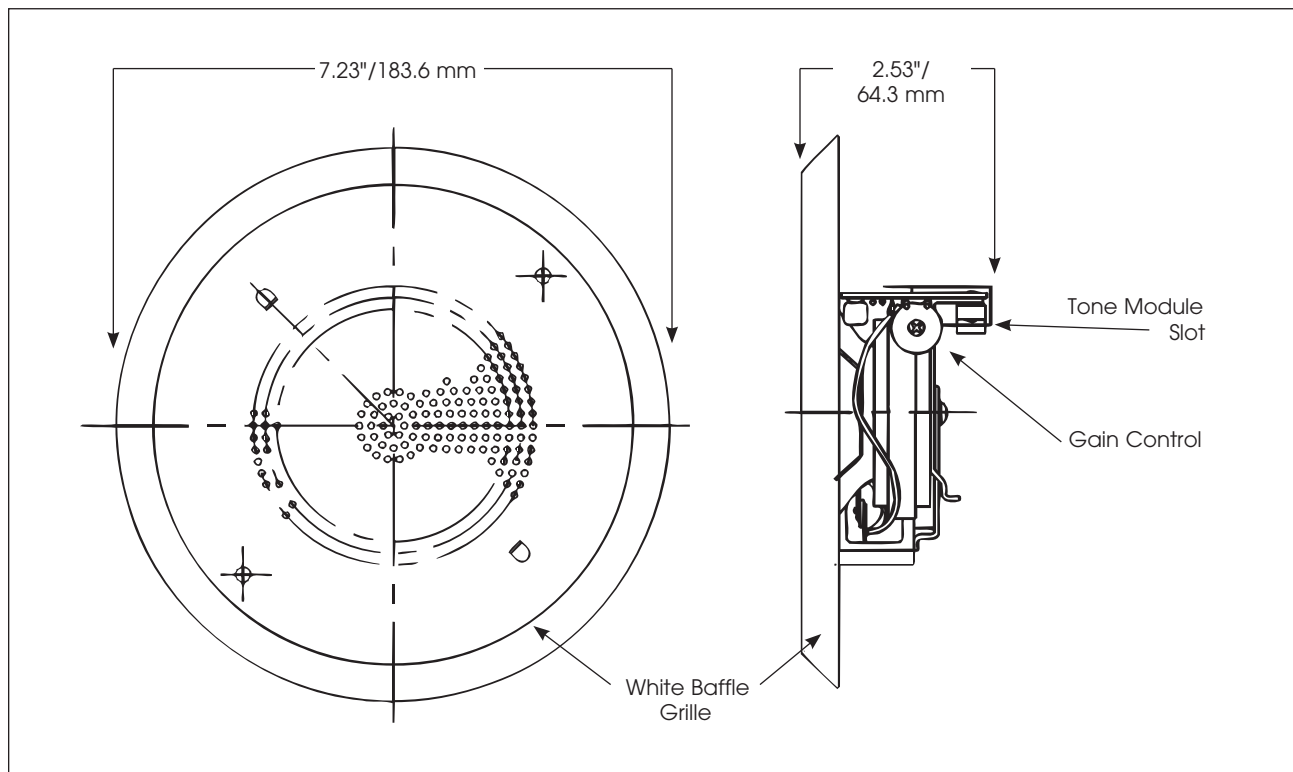
FEATURES

- Available in 24VAC/DC and 120VAC
- Attractive round ceiling grille
- Built-in gain control, adjustable between 64 dBa to 88 dBa @ 10' (74 dBa to 98 dBa @ 1m)
- Appropriate for office environments
- Type 1, IP41 enclosure
- UL and cUL Listed, and CSFM Approved

MODEL	VOLTAGE	OPERATING CURRENT	STANDBY CURRENT*	DECIBELS	
				10'	1M
50GCB-024	24VDC	0.09 amps	0.025 amps	88	98
	24VAC 50/60Hz	0.29 amps	0.095 amps	88	98
50GCB-120	120VAC 50/60Hz	0.04 amps	0.027 amps	88	98

*When used as a powered loud speaker

SelecTone® Amplified Speaker (50GCB)



SPECIFICATIONS

Operating Temperature:	-31°F to 151°F	-35°C to 66°C
Net Weight:	1.6 lbs	0.73 kg
Shipping Weight:	2.3 lbs	1.04 kg
Depth:	2.53"	64.3 mm
Diameter:	7.23"	183.6 mm

HOW TO ORDER

50GCB - 024

TYPE
50GCB

VOLTAGE
024 (24VAC/DC)
120 (120VAC)

OPTIONAL ACCESSORIES

Description	Part Number
Back Box	R4NB

Specify Tone Module:

- For stand alone operation
- UTM** – Universal Tone Module
(Reference page 199 for list of tones)
- TM33** – Custom Tone Module
(Reference page 201 for list of tones)

Specify Connector Kit:

- (sold separately) for use in systems
- Call factory for system design assistance.
(Reference page 202 for Connector Kits)

- AM25CK** – 25 Vrms, 1 Vrms
- AM70CK** – 70 Vrms, 1 Vrms
- 300CK** – 10 Vrms, 1 Vrms
- T-300CK** – 2.7 Vrms, 1 Vrms
- E-300CK** – 1 Vrms, 1 Vrms