



► Model 300GCX

SelecTone® Hazardous Location 15W Amplified Speaker

Model 300GCX SelecTone® Amplified Speaker is designed to produce tones, digital voice messages and live public address in harsh environments with high ambient noise levels.

The rugged speaker cone and projector are constructed of spun aluminum. The amplification circuitry, tone module, and gain control are contained in a housing constructed of die-cast aluminum. All surfaces are sealed with powder-coat paint. Dust- and moisture-proof gaskets provide protection from the elements.

SelecTone Amplified Speakers are used individually or as part of a plant-wide emergency notification system. The Model UTM Universal Tone Module, with 32 tones, or the TM33-SD Custom Tone Module is plugged into a single SelecTone Amplified Speaker for stand-alone use or into a SelecTone Command Unit for plant-wide signaling.

For plant-wide signaling, a Connector Kit is installed into each SelecTone Amplified Speaker and wired to a central controller, SelecTone Command Unit or CommCenter® Digital Message Center. Command Units and CommCenters broadcast tones, voice messages, melodies and live public address to an unlimited number of SelecTone Amplified Speakers

Applications for SelecTone include emergency warning, evacuation, start/dismissal, public address, and process control signaling.

FEATURES

- Available in 24VAC/DC, 120VAC and 240VAC
- Reliable, solid-state circuitry
- Digital signal amplification
- Fused input and output
- Built-in gain control, adjustable between 0 dBa to 110 dBa @ 10' (0 dBa to 120 dBa @ 1m)
- Cast copper free aluminum housing, spun aluminum projector
- Type 4X, IP66, IP69K enclosure
- Indoor/outdoor use
- UL 1480 and CSFM Approved
- UL and cUL Listed for Class I, Division 2, Groups A, B, C, and D; Class II, Division 2, Groups F and G; Class III

MODEL	VOLTAGE	OPERATING CURRENT	STANDBY CURRENT**	DECIBELS	
				10'	1M
300GCX-024-*	24VDC	0.67 amps	50 mA	110	120
	24VAC 50/60Hz	0.90 amps	100 mA	110	120
300GCX-120-*	120VAC 50/60Hz	0.20 amps	30 mA	110	120
300GCX-240-*	240VAC 50/60Hz	0.10 amps	15 mA	110	120

* Indicates housing color: (-B) for Black housing, leave blank for Gray

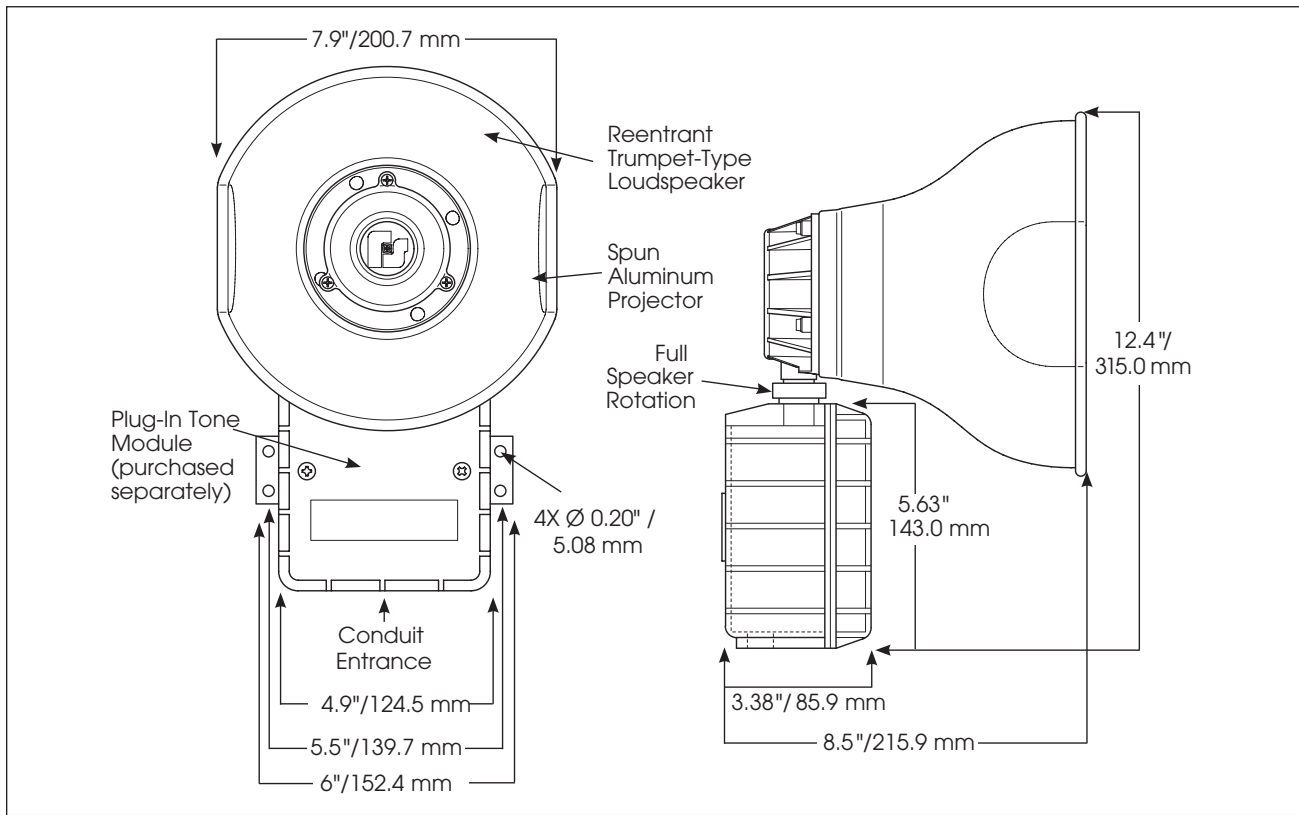
**When used as a powered loud speaker

HAZARDOUS LOCATION RATING: 300GCX

T-CODE AT MAXIMUM AMBIENT TEMPERATURE, °C

Hazardous Location	40°C	66°C
Class I, Division 2, Groups A, B, C, D	T3	T2C
Class II, Division 2, Groups F, G	T6	T6
Class III	T6	T6

SelecTone® Hazardous Location 15W Amplified Speaker (300GCX)



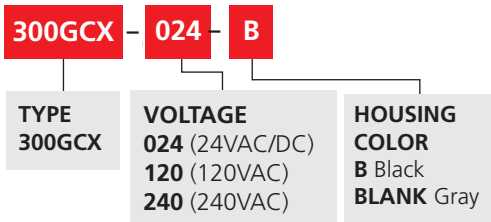
SPECIFICATIONS

Operating Temperature:	-67°F to 150°F	-55°C to 66°C
Rated Power		15 watt
Net Weight:		
24VAC/DC	5.5 lbs	2.5 kg
120/240VAC	5.5 lbs	2.5 kg
Shipping Weight:		
24VAC/DC	6.7 lbs	3.0 kg
120/240VAC	6.7 lbs	3.0 kg
Height:	12.4"	315.0 mm
Width:	7.9"	200.7 mm
Depth:	8.5"	215.9 mm

REPLACEMENT PARTS

Description	Part Number
PCBA, 15W, 24V AC/DC	K2001961B-05
PCBA, 15W, 120/240V AC	K2001961B-04
XFMR, 15W, 120V AC, 1.3 AMP	K120857A
XFMR, 15W, 240V AC, 1.3 AMP	K120858A
AMPLIFIER ASSEMBLY, 15W	K2005502A-04
SPEAKER ASSEMBLY, 15W	K8593082A
VOICE COIL, 15W	K8593035A
GASKET	K288A043
HOUSING, 15W, GRAY	K8473021A
COVER, GRAY	K8473022A

HOW TO ORDER



- Select Model**
 - Select Required Accessory (sold separately)**
 - For stand alone operation, select Tone Module:
 - UTM** – Universal Tone Module (Reference page 199 for list of tones)
 - TM33-SD** – Custom Tone Module (Reference page 201 for list of tones)
 - For use in systems*, select Connector Kit. (Reference page 202 for Connector Kits)
 - AM25CK** – 25 Vrms, 1 Vrms
 - AM70CK** – 70 Vrms, 1 Vrms
 - 300CK** – 10 Vrms, 1 Vrms
 - T-300CK** – 2.7 Vrms, 1 Vrms
 - E-300CK** – 1 Vrms, 1 Vrms
- *Call factory for design assistance