

BAY : LED Bay Light Round



BAY (shown with optional reflector)

project name	type
catalog number	
comments	voltage
approved by	date

100/
150/200
watts

12.5K-
25K
lumens

125
lpw

5000K
CCT

Features

- Cost-effective solid state solution for highbay applications, providing one-for-one replacement of high-wattage HID fixtures
- 125 lpw ultra-high efficiency delivers superior performance over legacy HID highbays
- Instant-on with no warmup
- Lightweight construction (8.6–10.8 lbs) allows for quick and easy installation
- Magnesium alloy heatsink for cooler operating temperatures
- 6' cord included
- Continuous dimming to 10%
- 5 year warranty

Performance

- 3C: 12,500lm @ 100W (125 lpw)
- 4C: 18,750lm @ 150W (125 lpw)
- 5C: 25,000lm @ 200W (125 lpw)
- 50,000 hours (L70) life
- -40°F to 122°F (-40°C to +50°C) operating temperature
- UL listed for wet locations
- IP65 rated
- CRI > 80
- Input voltage: 100-277V or 200-480V
- Power Factor: > 0.95
- THD < 20%

Applications

- Warehouses
- Manufacturing Plants
- Distribution Centers
- Grocery Stores
- Gymnasiums
- Indoor Recreational Facilities
- Cold Storage
- Big Box Retail
- Service Repair Centers

Ordering Information

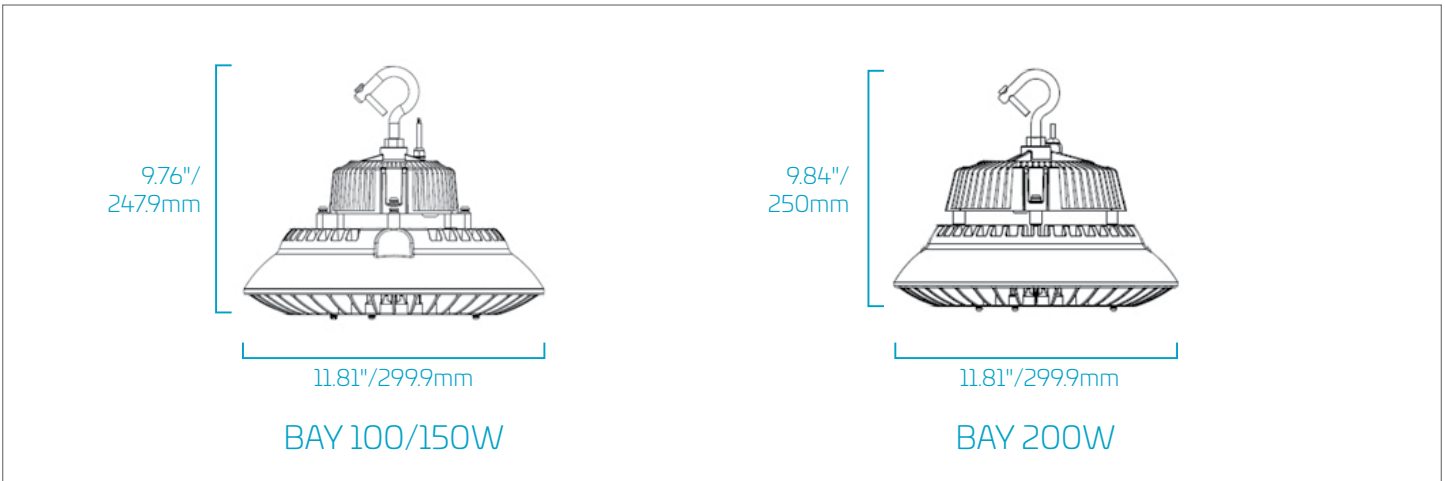
Order Code	Item #	Lm	W	CCT	CRI	Life/Hrs	V	Dimming	DLC
09796	BAY-3C-40K-U	12,500	100W	4000K	80+	50K	100-277V	1-10V	✓
09582	BAY-3C-50K-U	12,500	100W	5000K	80+	50K	100-277V	1-10V	✓
09797	BAY-3C-40K-V	12,500	100W	4000K	80+	50K	200-480V	1-10V	✓
09588	BAY-3C-50K-V	12,500	100W	5000K	80+	50K	200-480V	1-10V	✓
09798	BAY-4C-40K-U	18,750	150W	4000K	80+	50K	100-277V	1-10V	✓
09583	BAY-4C-50K-U	18,750	150W	5000K	80+	50K	100-277V	1-10V	✓
09799	BAY-4C-40K-V	18,750	150W	4000K	80+	50K	200-480V	1-10V	✓
09589	BAY-4C-50K-V	18,750	150W	5000K	80+	50K	200-480V	1-10V	✓
09800	BAY-5C-40K-U	25,000	200W	4000K	80+	50K	100-277V	1-10V	✓
09584	BAY-5C-50K-U	25,000	200W	5000K	80+	50K	100-277V	1-10V	✓
09801	BAY-5C-40K-V	25,000	200W	4000K	80+	50K	200-480V	1-10V	✓
09590	BAY-5C-50K-V	25,000	200W	5000K	80+	50K	200-480V	1-10V	✓

✓DesignLights Consortium® Qualified



BAY : LED Bay Light Round

Dimensions



Accessories (Sold Separately)

Order Code	Litespan Part #	Description
09914	BAY-REFLECTOR-CV16	16" Cloudveil™ Reflector
09915	BAY-REFLECTOR-CV22	22" Cloudveil™ Reflector
09585	BAY-REFLECTOR BT-AL-60D	60° Beam Aluminum Reflector
09586	BAY-REFLECTOR BT-AL-90D	90° Beam Aluminum Reflector
09587	BAY-REFLECTOR BT-PC-70D	70° Beam Polycarbonate Reflector



Replacement Chart

Item #	Voltage	Watts	Lumens	Replaces HID Wattage	Replaces Fluor.	Ceiling Height	DLC
BAY-3C-XXK-U	90V-305V	100W	12,500	150W-175W	HBF 4 Lamp T8 and 4 Lamp T5	14' to 20'	V4.1 Std.
BAY-3C-XXK-V	180V-528V	100W	12,500	150W-175W	HBF 4 Lamp T8 and 4 Lamp T5	14' to 20'	V4.1 Std.
BAY-4C-XXK-U	90V-305V	150W	18,750	250W-320W	HBF 6 Lamp T8 and 4 Lamp T5	16' to 24'	V4.1 Std.
BAY-4C-XXK-V	180V-528V	150W	18,750	250W-320W	HBF 6 Lamp T8 and 4 Lamp T5	16' to 24'	V4.1 Std.
BAY-5C-XXK-U	90V-305V	200W	25,000	320W-400W	HBF 8 Lamp T8 and 6 Lamp T5 HO	20' to 24'	V4.1 Std.
BAY-5C-XXK-V	249V-528V	200W	25,000	320W-400W	HBF 8 Lamp T8 and 6 Lamp T5 HO	20' to 24'	V4.1 Std.

Metric Thread Hook Compatibility

Item #	Description	Metric Thread (EN 60423)	OD (mm)	Pitch (mm)
BAY-3C-XXK-U	Bay Light 100W-12500LM	M10	10	1.5
BAY-4C-XXK-U	Bay Light 150W-18750LM	M10	10	1.5
BAY-5C-XXK-U	Bay Light 200W-25000LM	M12	12	1.75

watch > like > follow

