

Transformers

AC - Power

88 Series

Edwards 88 Series Power Transformers provide low voltage source from 50 to 250 volt amps for all large signaling installations.

Holes are provided in transformer housing for surface mounting.

Features and Specifications

- Enclosed connections
- Primary Pigtails
- Screw terminal connections on secondary



Ordering Information

Description	Cat. No.	Primary Voltage ¹	Secondary	
			Volts	VA
Power Transformers	88-50	120V AC	24V AC	50
			12V AC	25
	88-Y50	240V AC	24V AC	50
			12V AC	25
	88-100	120V AC	24V AC	100
			12V AC	50
	88-Y100	240V AC	24V AC	100
			12V AC	50
	88-250	120V AC	24V AC	250
			20V AC	200
16V AC			160	
12V AC			125	
8V AC			80	
4V AC			40	

¹AC voltage frequency is 50/60 Hz



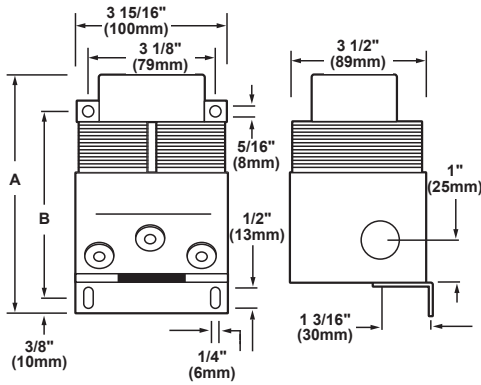
Transformers

AC - Power

88 Series

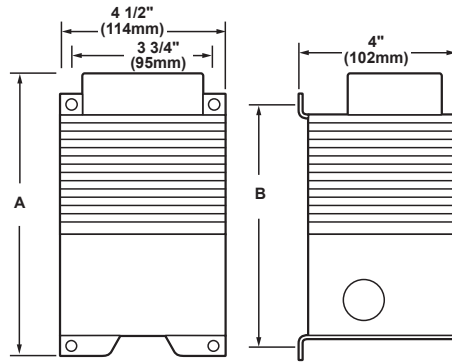
Weights and Dimensions

Cat. No.	Approx. Net Weight (lb.)	Approx. Shipping Weight (lb.)	Dimensions	
			A (in.)	B (in.)
88-50	1.94	4.30	5 1/2	4 3/8
88-Y50	2.05	4.40	5 1/2	4 3/8
88-100	2.60	5.70	5 15/16	4 11/16
88-Y100	2.30	5.40	5 15/16	4 11/16
88-250	5.00	15.00	7 3/4	6 5/8



88-50, 88-Y50

88-100, 88-Y100



88-250