

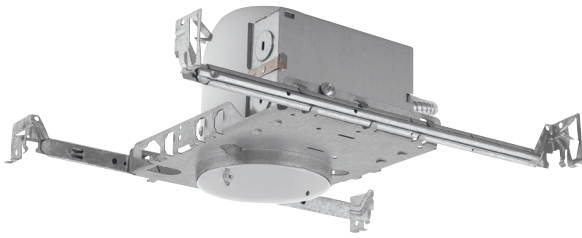
# P4

## Philips Lightolier C-Plus 4" Miniature Recessed Non-IC Downlight - Incandescent

Catalog Number: \_\_\_\_\_

Type: \_\_\_\_\_

Project: \_\_\_\_\_



### Description

For new construction. Thermally protected recessed housing. Furnished with pre-installed BH2 adjustable bar hangers. Fixture is c/ETL Listed for through-branch circuit wiring and damp location use.

### Features

- Compact size permits installation with 2X6 joist construction and as close as 12" on center.
- 50 watt maximum.
- Socket pre-installed in housing.
- Wide variety of trims.
- Thermal protection standard.
- Pre-installed BH2 barhangers.
- c/ETL listed for damp locations and through branch circuit wiring.
- Non - IC

## CATALOG SYSTEM AND OPTIONS

SAMPLE CATALOG NUMBER: P4-P4BW

### HOUSING

### TRIMS (choose only one)

**P4**

- P4BW** – White Baffle, white flange
- P4EW** – White Eyeball
- P4F** – Fresnel lens, white flange, wet location listed
- P4RC** – Clear reflector, white flange
- P4GW** – White adjustable gimball
- CP430K6** – CorePro White Splay

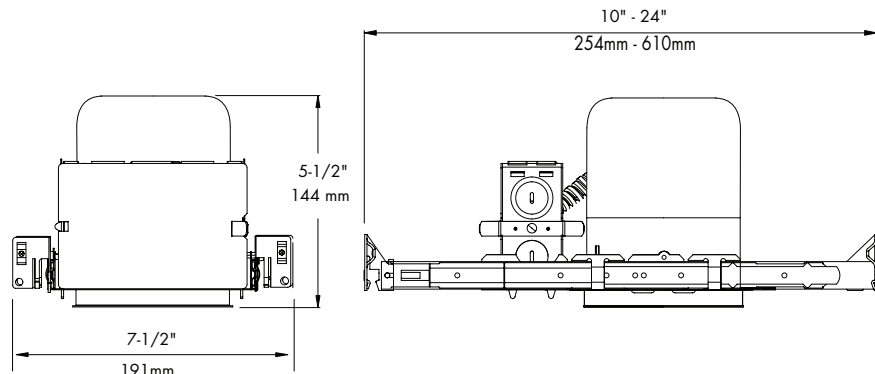
### General Notes:

See Trims on reverse side of of the sheet for lamp compatibility.

## SPECIFICATIONS

- Housing** - Deep drawn 22 gauge steel single piece housing painted white. Adjusts vertically in frame to accommodate ceiling thickness up to 1-3/8" thick. Ceiling opening 4-1/4". Accommodates lamp up to 50 watts depending on trim used. Plaster frame is stamped 22 gauge galvanized steel.
- Socket**- Medium base screw shell porcelain socket attached to adjustable socket supporting bracket.
- Bar Hangers** - Pre-installed BH2 pre-nailed bar hangers telescope from 10 to 24 inches. Bar hangers are equipped with heavy duty fluted nails. Interlocking support tabs provide smooth adjustment of bar hanger. Integral grid clips for NEMA G ceilings.
- Junction Box** - Large 27 inch, 18 gauge galvanized steel with two snap-on covers and grounding pigtail. Knock-outs for 1/2" and 3/4" conduit. Includes 4 Romex pryouts with strain relief. Meets all safety requirements of c/ETL and N.E.C.
- Thermal Protection** - Standard thermal protection device inside housing automatically takes the fixture out of service if temperature becomes excessive from over lamping or using the wrong lamp/trim combination.
- c/ETL Listed** - for damp locations and through-branch wiring, 4 in/4 out.
- Trims** - Spun and stamped steel is powder coated in a variety of colors. Features three spring steel friction fit clips for secure hold within housing. Available in a wide variety of styles.

## DIMENSIONS



**PHILIPS**  
**LIGHTOLIER**



**P4BW** White Baffle w/ White Flange (Shown)  
5" O.D. (127mm)

Lamp	IC
R20	50W
PAR20	50W



**P4EW** White Eyeball (Shown)  
30° Adjustment  
5" O.D. (127 mm)

Lamp	IC
R20	35W
PAR20	35W



**P4F** Fresnel Lens/White Flange,  
Wet Location Listed  
5" O.D. (127 mm)

Lamp	IC
R20	35W
PAR20	35W



**P4RC** Clear Reflector, White Flange (Shown)  
5" O.D. (127 mm)

Lamp	IC
R20	50W
PAR20	50W



**P4GW** White Adjustable Gimbal (shown)  
30° Adjustment  
5" O.D. (127 mm)

Lamp	IC
R20	50W
PAR20	50W



**CP430K6** CorePro White Splay  
5-1/2" O.D. (140 mm)  
600 lm 30K



Some luminaires use fluorescent or high intensity discharge (HID) lamps that contain small amounts of mercury. Such lamps are labeled, "Contain Mercury" and/or the symbol "HG". Lamps that contain mercury must be disposed of in accordance with local requirements. Information regarding lamp recycling and disposal can be found at [www.lamprecycle.org](http://www.lamprecycle.org)



© 2015 Koninklijke Philips N.V. All rights reserved.  
Specifications are subject to change without notice.  
[www.philips.com/luminaires](http://www.philips.com/luminaires)

Philips Lighting  
North America Corporation  
200 Franklin Square Drive  
Somerset, NJ 08873  
Phone: 855-486-2216

Philips Lighting Company  
281 Hillmount Road  
Markham ON, Canada L6C 2S3  
Phone: 800-668-9008