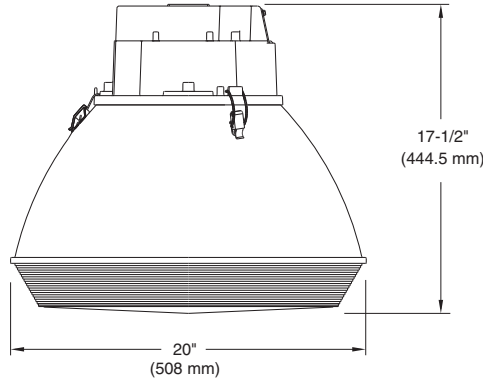


# LLB LOW BAY LUMINAIRE

The LLB Luminaire provides the industry's highest efficiency for general purpose industrial lighting. A geometrically balanced unit, this small luminaire can be mounted within 6' of the working surface.

## DIMENSIONS

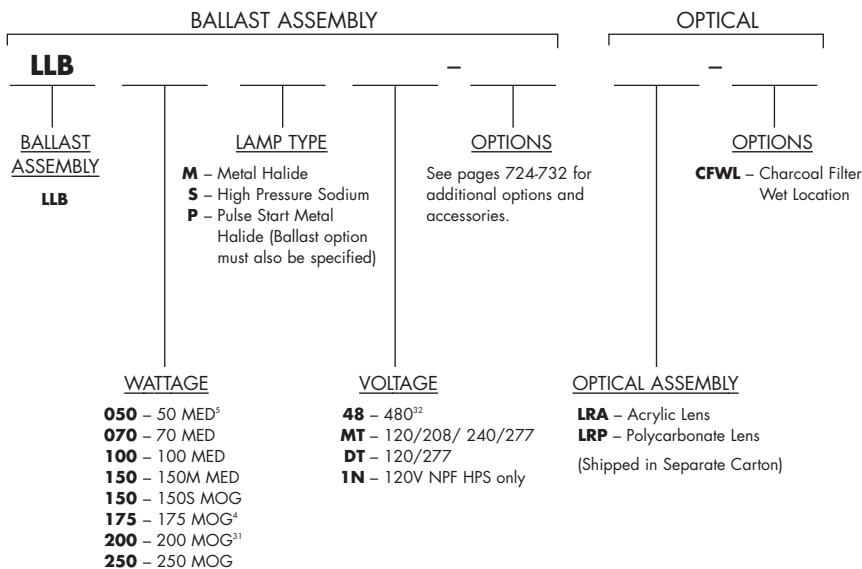


### Features

- One piece, die cast aluminum housing with white polyester powder finish for excellent corrosion and impact resistance.
- Excellent brightness control.
- Uniform, wide distribution allows luminaire to be mounted within 6' of working surface.
- One piece, injection-molded lens, 3/16" minimum thickness of 100% virgin acrylic.
- Stainless steel latches standard.
- Reflector has white polyester powder finish for excellent light reflectance. (90-92%)
- UL 1598 listed wet location and metal halide arc tube containment.
- UL listed 40°C for all lamp wattages listed.



SAMPLE CATALOG NUMBER\*: **LLB250MMT-Q LRA**



### Footnotes:

- <sup>4</sup>Not available in High Pressure Sodium.
- <sup>2</sup>DT only.
- <sup>31</sup>Not available in standard Metal Halide.
- <sup>32</sup>Not available in 70 watt Metal Halide.

### General Notes:

All options are factory installed  
All accessories are field installed.  
See Pages 747-749 for ballast electrical data.

\*Ballast assembly and optical assembly are ordered and shipped separately.

Data subject to change without notice

**Warning:** Refer to and follow the lamp manufacturer's warnings and instructions.