

SUBJECT:

LLB SERIES H.I.D. LUMINAIRE

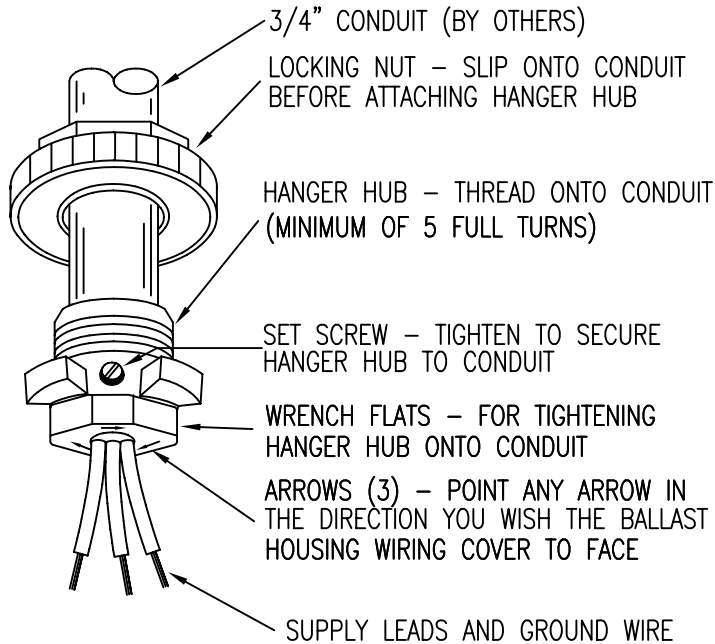


INSTRUCTION SHEET

WARNING: ELECTRICAL SHOCK POTENTIAL !! DO NOT ATTEMPT TO INSTALL, MAINTAIN OR RELAMP WITHOUT DISCONNECTING ALL POWER. FAILURE TO DISCONNECT POWER CAN RESULT IN ELECTROCUTION, SHOCK OR SEVERE BURNS.

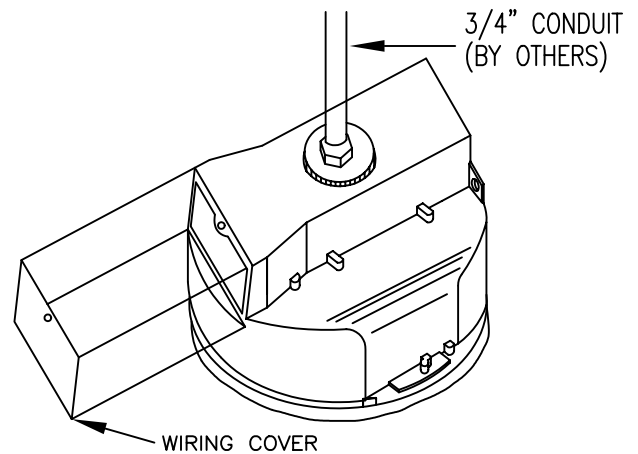
CAUTION: This fixture is designed for permanent installation in ordinary (Non-Hazardous) locations in accordance with the National Electrical Code and all applicable local codes. Do not use in areas of limited ventilation or in high ambient enclosures. The lamp and fixture operate at high temperatures, contact with combustible materials can cause fire and personal contact can cause severe burns.

CONDUIT MOUNTING

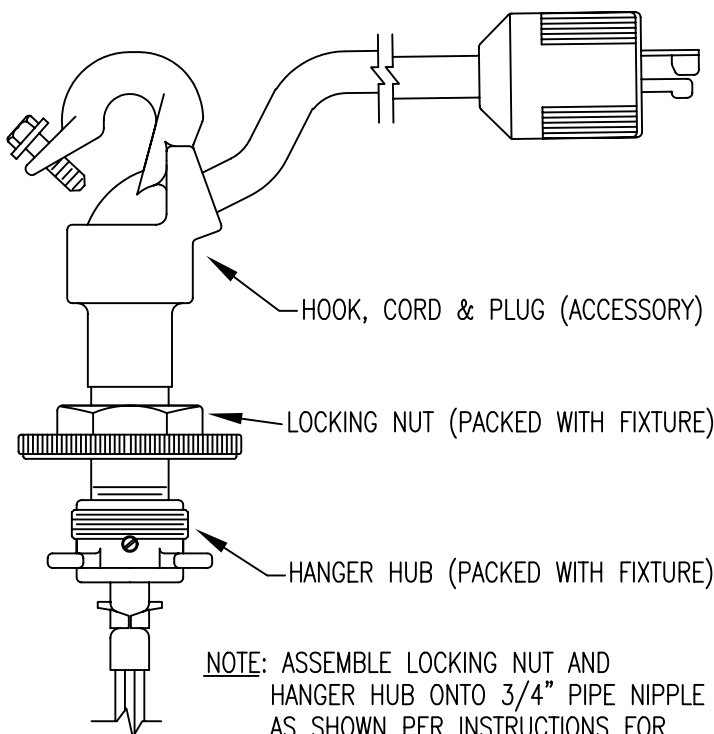


NOTE: For Wet Location, Seal Conduit Entrance

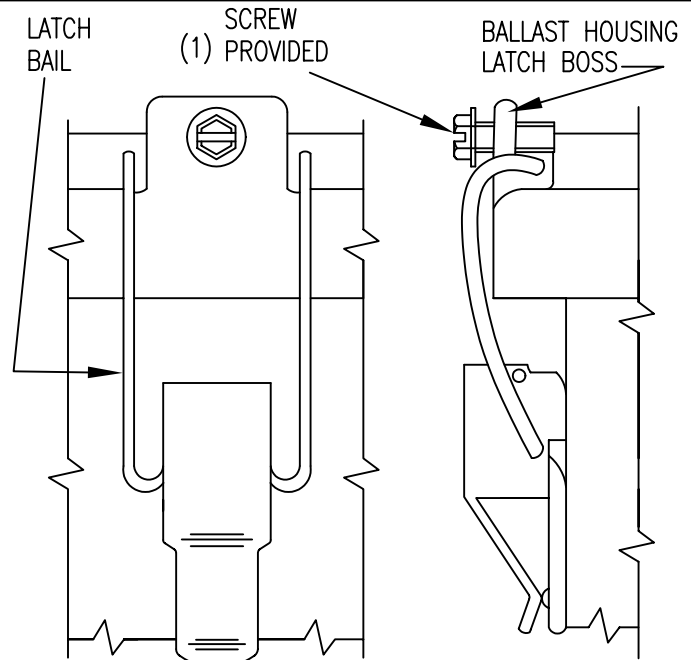
MOUNTING-BALLAST ASSEMBLY



- 1) LIFT BALLAST ASSEMBLY ONTO THE HANGER HUB AND ROTATE ASSEMBLY (60°) UNTIL IT SEATS SECURELY ON HUB.
- 2) TURN LOCKING NUT (HAND TIGHT) ONTO HANGER HUB TO SECURE BALLAST ASSEMBLY. **WARNING:** LOCKING NUT MUST ENGAGE THREADS ON HANGER HUB AND BE HAND TIGHTENED TO INSURE THAT FIXTURE IS PROPERLY SEATED ON HUB. **CAUTION:** THE LOCKING NUT IS PROVIDED WITH WRENCH FLATS TO BE USED ONLY IF NECESSARY TO REMOVE NUT.
- 3) MAKE SUPPLY CONNECTIONS (90°C WIRE) AND REPLACE WIRE COVER.



NOTE: ASSEMBLE LOCKING NUT AND HANGER HUB ONTO 3/4" PIPE NIPPLE AS SHOWN PER INSTRUCTIONS FOR "CONDUIT MOUNTING"



FACE VIEW

SIDE VIEW

THE OPTICAL ASSY. HAS THREE LATCHES, ONE SERVES AS A HINGE BY TRAPPING LATCH BAIL UNDER SCREW AS SHOWN