

DGA

Drywall Grid Adapter for CR Series Troffers

Product Description

The DGA "lay-in" accessory enables Cree CR Series troffers to easily install into plaster and sheet rock ceilings. It may be installed into any hard ceiling to create a simple t-bar style opening.

Installation

DGA24-WHT Rough in Dimensions: 24.375" x 48.375"

DGA14-WHT Rough in Dimensions: 12.5" x 48.375"

DGA22-WHT Rough in Dimensions: 24.375" x 24.375"

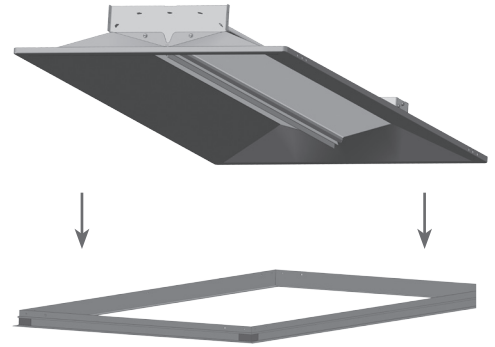
Tolerance for L or W: +.125"/-0

Ordering Information

Example: DGA14-WHT

Product
DGA24-WHT CR24 compatible
DGA14-WHT CR14 compatible
DGA22-WHT CR22 compatible

DGA



NOTE: Luminaire not included.