

CPY250-A-DM-D / F-B

CPY Series LED Canopy / Soffit Luminaire -
Direct Mount - Drop / Flat Lens - 122 Watts

Product Description

Slim, low profile, easy mounting from below the deck. Luminaire housing constructed of rugged cast aluminum with integral heat sink specifically designed for LED. Luminaire mounts directly to the canopy deck in a 2.0" (51mm) to 4.0" (102mm) round hole and is secured in place with self-sealing screws that provide water-tight seal. Suitable for use in single or double skin canopies with a minimum 4.0" (102mm) wide panels and a minimum 22 gauge, 0.030" (0.7mm) canopy thickness. Direct imaging of LEDs is eliminated with high efficiency patterned flat or 0.91" (23mm) drop glass lens.

Performance Summary

Made in the U.S.A. of U.S. and imported parts

CRI: Minimum 70 CRI

CCT: 5700K (+ / - 500K) Standard, 4000K (+ / - 300K)

Limited Warranty[†]: 10 years on luminaire / 10 years on Colorfast DeltaGuard[®] finish

Accessories

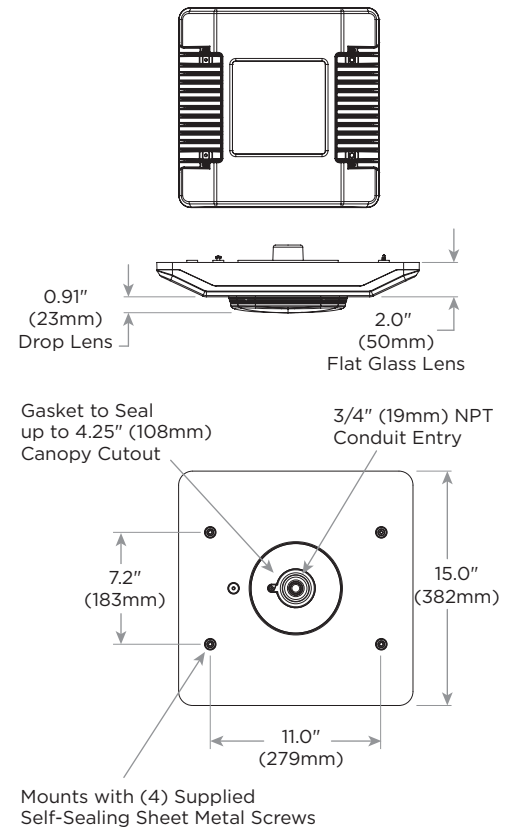
Field Installed Accessories

XA-BXCCMW Upgrade Kit for use with Jet-Phillips canopy luminaires	XA-BXCCJBOX Junction Box / Stem Kit - 6.0" (152mm) H x 3/4" (19mm) NPT Stem
XA-BXCCNW Upgrade Kit for use with ElSCO Franciscan canopy luminaires	XA-BXCCBPW Beauty Plate
XA-BXCCPW Upgrade Kit for use with LSI Dakota or Masters canopy luminaires	XA-BXCCBPB12W Beauty Plate w/ 12" (305mm) Backer
XA-BXCCQW Upgrade Kit for use with Whiteway Riviera or RIG-A-Lite canopy luminaires	XA-BXCCBPB16W Beauty Plate w/ 16" (406mm) Backer
XA-BXCCRW Upgrade Kit for use with ElSCO Merrit canopy luminaires	TPS-2 Tamper Resistant Driver Bit
XA-BXCCSW Upgrade Kit for use with LSI Richmond or Whiteway Civic canopy luminaires	XA-SENSREM Hand-Held Remote - For successful implementation of the programmable multi-level option, a minimum of one hand-held remote is required



Drop Lens

Flat Lens



Ordering Information

Example: CPY250-A-DM-D-B-UL-WH-OPTIONS

CPY250	A	DM		B			
Product	Version	Mounting	Optic	Input Power Designator	Voltage	Color Options	Options
CPY250	A	DM Direct	D 0.91" (23mm) Drop Lens F Flat Lens	B 122W	UL Universal 120-277V UH Universal 347-480V*	WH White (Standard) SV Silver BK Black BZ Bronze PB Platinum Bronze	40K 4000K Color Temperature - Color temperature per luminaire DIM 0-10V Dimming - Control by others - Refer to dimming spec sheet for details - Can't exceed specified input power ML Multi-Level (100% / 30% Power) - Refer to ML spec sheet for details PML Programmable Multi-Level - Refer to PML spec sheet for details

[†] See www.cree.com/lighting/products/warranty for warranty terms.

* For input power for 347-480V, refer to the Lumen Output, Electrical, and Lumen Maintenance data table below.



Rev. Date: 10/17/13



Product Specifications

CONSTRUCTION & MATERIALS

- Slim, low profile, easy mounting from below the deck
- Luminaire housing constructed of rugged cast aluminum with integral heat sink specifically designed for LED
- Luminaire mounts directly to the canopy deck in a 2.0" (51mm) to 4.0" (102mm) round hole and is secured in place with self sealing screws that provide water-tight seal
- Suitable for single or double skin canopies with minimum 4.0" (102mm) wide panels and a minimum 22 gauge, 0.030" (0.7mm) canopy thickness
- Optional wet listed junction box rated for feed through 8 (4 in, 4 out) #12 AWG conductors
- Fixture housing provided with 3/4" (19mm) conduit entry for direct wire feed
- Simple single hole drill for mounting to canopy
- Alignment pin included for ease of installation if desired (optional; requires drilling of additional hole)
- Below ceiling serviceable driver for ease of upgrade or replacement
- Exclusive Colorfast DeltaGuard® finish features an E-Coat epoxy primer with an ultra-durable powder topcoat, providing excellent resistance to corrosion, ultraviolet degradation and abrasion. Standard is white. Bronze, black, silver, and platinum bronze are also available

ELECTRICAL SYSTEM

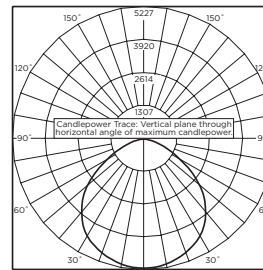
- **Input Voltage:** 120-277V or 347-480V, 50 / 60Hz, Class 1 drivers
- **Power Factor:** > 0.9 at full load
- **Total Harmonic Distortion:** < 20% at full load
- Integral 6kV surge suppression protection standard
- To address inrush current, slow blow fuse or type C / D breaker should be used

REGULATORY & VOLUNTARY QUALIFICATIONS

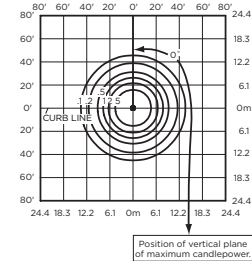
- cULus Listed
- Suitable for wet locations
- Enclosure rated IP66 per IEC 60529 pending
- Consult factory for CE Certified products
- 6kV surge suppression protection tested in accordance with IEEE /ANSI C62.41.2
- Product qualified on the DesignLights Consortium™ ("DLC") Products List ("QPL")
- Luminaire and finish endurance tested to withstand 5,000 hours of elevated ambient salt fog conditions as defined in ASTM Standard B 117
- Meets Buy American requirements within ARRA
- Dark Sky Friendly, IDA Approved when ordered with "F" optic

Photometry

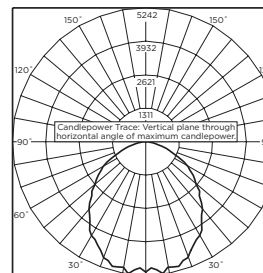
All published luminaire photometric testing performed to IESNA LM-79-08 standards by a NVLAP certified laboratory.



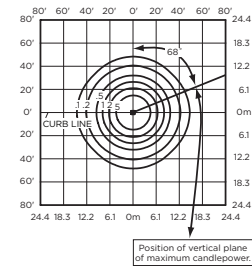
ITL Test Report #: 76865
CPY250-A-F-B-UL**
Initial Delivered Lumens: 13,636



CPY250-A-F-B-UL**
Mounting Height: 15' (4.6m)
Initial Delivered Lumens: 13,000
Initial FC at grade



CESTL Test Report #: 2013-0112
CPY250-A-D-B-UL**
Initial Delivered Lumens: 13,242



CPY250-A-D-B-UL**
Mounting Height: 15' (4.6m)
Initial Delivered Lumens: 13,000
Initial FC at grade

Weight

Weight
12.5 lbs (5.7kg)

Lumen Output, Electrical, and Lumen Maintenance Data

CPY250 Canopy Luminaire													
Optic	5700K		4000K		System Watts 120-277V	System Watts 347-480V	TOTAL CURRENT						50K Hours Projected Lumen Maintenance Factor @ 15 °C (59 °F)***
	Initial Delivered Lumens*	BUG Ratings** Per TM-15-11	Initial Delivered Lumens*	BUG Ratings** Per TM-15-11			120V	208V	240V	277V	347V	480V	
D	13,000	B3 U2 G2	12,400	B3 U2 G2	122	137	1.04	0.60	0.52	0.46	0.40	0.29	94%
F	13,000	B3 U0 G1	12,400	B3 U0 G1	122	137	1.04	0.60	0.52	0.46	0.40	0.29	94%

* Actual production yield may vary between -4 and +10% of initial delivered lumens.
 ** For more information on the IES BUG (Backlight-Uplight-Glare) Rating visit www.iesna.org/PDF/Erratas/TM-15-11BugRatingsAddendum.pdf.
 *** For recommended lumen maintenance factor data see TD-13. Calculated L₇₀ based on 6,000 hours LM-80-08 testing: > 100,000 hours.

