



# LED Lighting Catalog

Fall 2013



## CPY Series Canopy & Soffit



## A new performance standard in LED canopy lighting.

When compared to similar LED solutions in a typical canopy application, the CPY250 delivers over 15% increased performance under the canopy while consuming 5-15% less power. Available in both flat and 1" prismatic drop lens, the CPY250 provides two illumination aesthetics to meet both the visual, as well as the vertical and horizontal illumination performance needs of a typical canopy/soffit application.

### BENEFITS

- Superior illumination performance
- Quick and easy installation
- Lower total cost of ownership
- Standard 10-year limited warranty

### FEATURES

- Minimum 70 CRI
- CCT: 4000K (+/-300K), 5700K (+/-500K)
- UL listed
- Flat or drop lens option
- 0-10V Dimming option (122W)
- Direct surface mount, Pendant mount or Hook and Cord
- Slim, low-profile design
- Exclusive DeltaGuard® finish

### APPLICATIONS

- Airport, healthcare, petroleum & convenience store, restaurant & hospitality

CPY Series - Flat Lens



CPY Series - Drop Lens



## CPY Series Canopy &amp; Soffit

## Ordering Information

Example: CPY250-A-DM-D-A-UL-WH-DIM

PRODUCT	VERSION	MOUNTING	OPTIC	INPUT POWER DESIGNATOR	VOLTAGE	COLOR OPTIONS	FACTORY INSTALLED OPTIONS
CPY250	A	<b>DM</b> Direct	<b>D</b> 0.91" (23mm) Drop Lens <b>F</b> Flat Lens	<b>A</b> 82W <b>B</b> 122W	<b>UL</b> Universal 120-277V <b>UH</b> Universal 347-480V	<b>WH</b> White (Standard) <b>SV</b> Silver <b>BZ</b> Bronze <b>BK</b> Black <b>PB</b> Platinum Bronze	<b>DIM</b> 0-10V Dimming <b>ML</b> Multi-Level <b>PML</b> Programmable Multi-Level

\* Ordering information is for reference only. Some product configurations are not available. Please consult spec sheets for specific product availability and for further details.

## Accessory Information

## UPGRADE KIT

Used when replacing HID luminaires in existing open canopies.

**XA-BXCCMW** - for use with Jet-Phillips canopy luminaires

**XA-BXCCNW** - for use with ElSCO Franciscan canopy luminaires

**XA-BXCCPW** - for use with LSI Dakota or Masters canopy luminaires

**XA-BXCCQW** - for use with Whiteway Riviera or Rig-A-Lite canopy luminaires

**XA-BXCCRW** - for use with ElSCO Merrit canopy luminaires

**XA-BXCCSW** - for use with LSI Richmond or Whiteway Civic canopy luminaires



## JUNCTION BOX / STEM KIT

**XA-BXCCJBOX** - 6.0" (152mm) H x 3/4" (19mm) NPT Stem



## BEAUTY PLATE

Metal plate used when replacing surface-mounted HID luminaires.

Painted DeltaGuard® white.

**XA-BXCCBPW** - Square 26"

**XA-BXCCBP12W** - Beauty Plate w/ 12" (305mm) Backer

**XA-BXCCBP16W** - Beauty Plate w/ 16" (406mm) Backer



## TOOLS

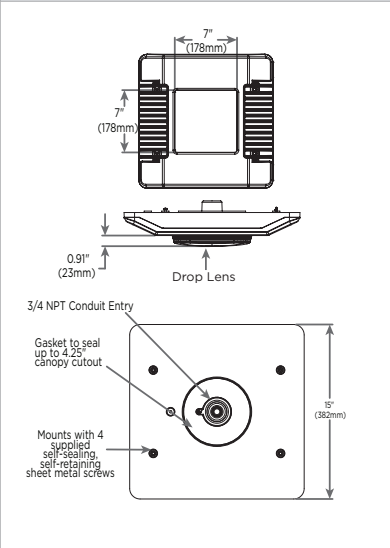
**Hand-Held Remote** - For successful implementation of the programmable multi-level option, a minimum of one hand-held remote is required

**XA-SENSREM** - Tamper Resistant Driver Bit

**TPS-2**

## Dimensions

## CPY SERIES DIRECT-MOUNT CANOPY



## You May Also Be Interested In:



**CREE EDGE™ SERIES AREA** p.94  
Sleek, Modular Area Lighting Solutions



**AEROBLADES™ SERIES SECURITY** p.140  
Aesthetic Security Solutions



**LEDWAY® SERIES STREET LIGHTS** p.104  
Versatile Street Light Solutions