

FAIL-SAFE

Installation Instructions Circadian Series – MCL/MSN, MLN/MHN

- Step 1.** Remove unit from package.
- Step 2.** Inspect for shipping damage.
- Step 3.** Refer to **Fig. 1.** For MCL/MSN or **Fig. 2** for MLN/MHN.
- Step 4.** Connect power supply leads per NEC requirements.
- Step 5.** Place housing in junction box & secure with (2) 6-32 screws.
- Step 6.** MLN/MHN only: Secure wall plate to bracket with (2) 6-32 screws.

NOTICE: These instructions do not claim to cover all details or variations in the equipment, procedure, or process described, nor to provide directions for meeting every possible contingency during installation, operation or maintenance. When additional information is desired to satisfy a problem not covered sufficiently for user's purpose, please contact your nearest representative. Design, specifications and dimensions are subject to change without notice.

Figure 1

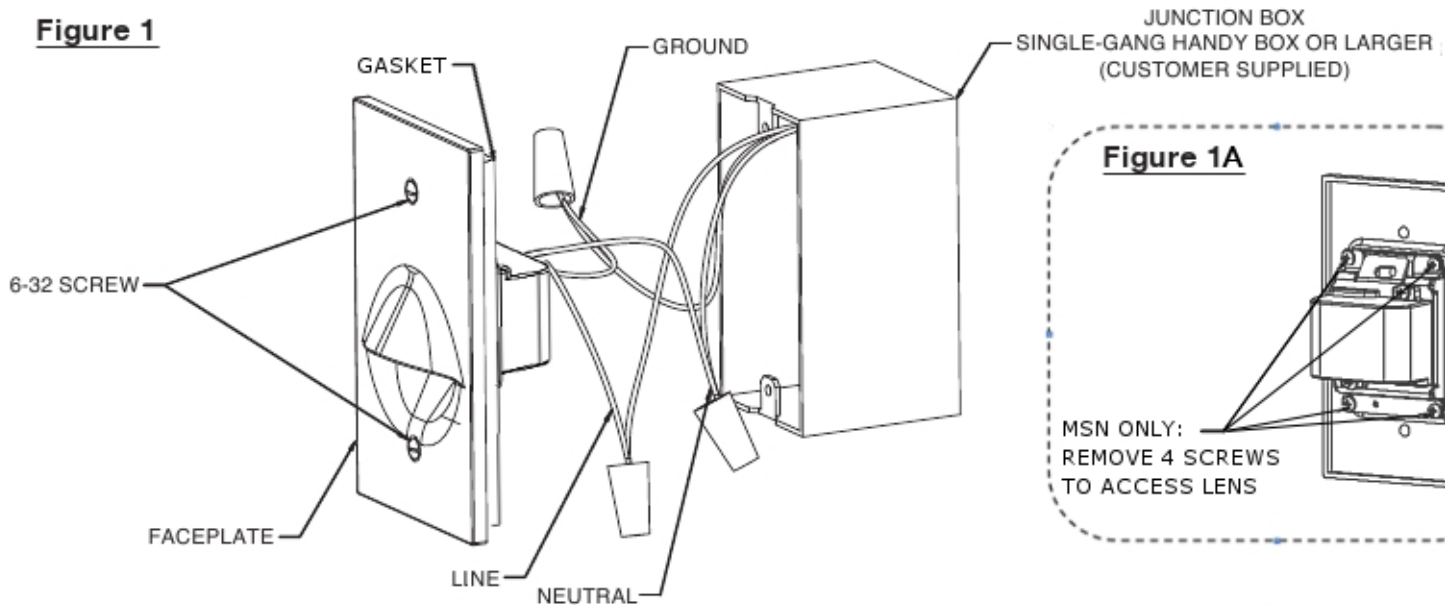
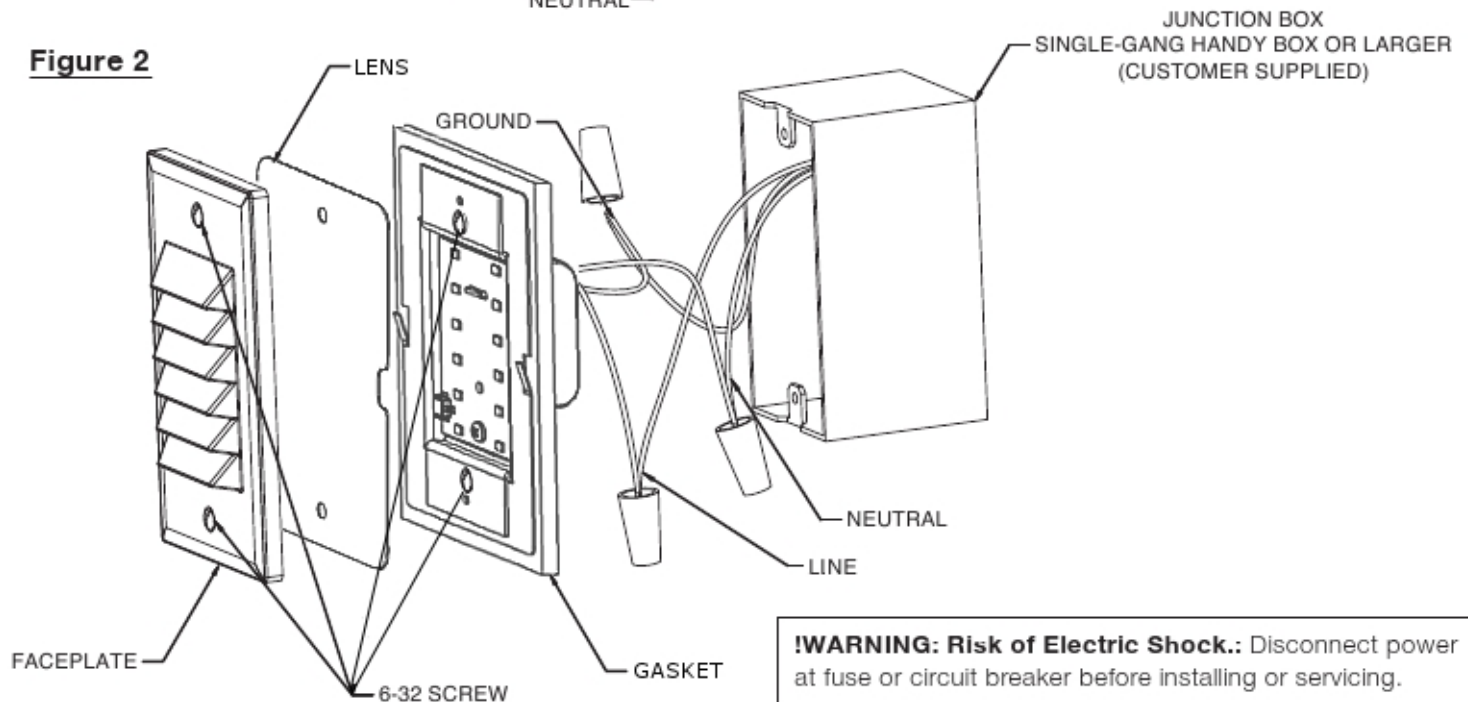


Figure 2



!WARNING: Risk of Electric Shock.: Disconnect power at fuse or circuit breaker before installing or servicing.