

# XJGD Rigid/IMC Expansion/Deflection Couplings

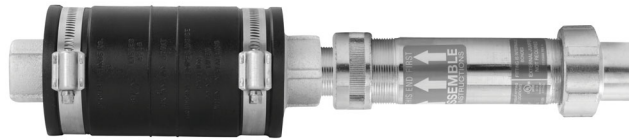
## Applications:

XJGD Combination Expansion/Deflection Couplings are used with rigid metal conduit and IMC:

- To couple together two sections of conduit subject to longitudinal movement
- To accommodate axial expansion, angular misalignment and parallel misalignment
- Indoors or outdoors in long conduit runs to permit linear and axial movement caused by thermal expansion and contraction
- To maintain electrical continuity without the need for an external bonding jumper and clamps
- In conduit runs that cross structural joints
- In conduit runs to prevent damage to conduit supports such as in a building or on a bridge
- On long conduit runs to prevent conduit from buckling and ensuing conduit failures

## Features:

- XJGD fittings are weatherproof and approved for use indoors or outdoors without an external bonding jumper
- Available in 1/2" through 4" trade sizes
- For use with rigid metal and IMC conduit
- Available in 4" maximum conduit movement
- XJGD Couplings include XD Couplings, which accommodate the following movements without collapsing or fracturing the conduit, and damaging the wires it contains:
  1. Axial expansion or contraction up to 3/4"
  2. Angular misalignment of the axes of the coupled conduit runs in any direction to 30°
  3. Parallel misalignment of the axes of coupled conduit runs in any direction to 3/4"
- XD component includes inner sleeve which maintains constant I.D. in any position and provides a smooth insulated wireway for protection of wire insulation
- XD component contains a watertight flexible neoprene outer jacket which is corrosion-resistant and protects the grounding strap and the attachment points of the hubs
- XD component includes stainless steel jacket clamps for strength and corrosion resistance
- XJG component includes internal bonding springs and metallic bushings to create high integrity internal ground connection and eliminate need for external bonding jumpers and clamps (up to 4" trade size)



## Features (continued):

- Optional redundant tinned copper flexible braid bonding jumpers assure continuity (BJ Series – ordered separately)
- UL Listed for use in wet locations
- NPT threads fit standard rigid conduit
- Patented design

## Certifications and Compliances:

- UL Standard 514B
- CSA 22.2 No. 18 3-12
- Wet locations

## Standard Materials and Finishes:

### Body, Hubs, Gland Nut, Washer & Bushing:

- Feraloy® iron alloy – electrogalvanized

### Packing:

- PTFE composite

### Gasket:

- Vellum

### Ground Springs:

- Phosphor bronze – electrogalvanized

### XD Component Outer Jacket:

- Molded neoprene – natural (black)

### XD Jacket Clamps:

- Stainless steel – natural

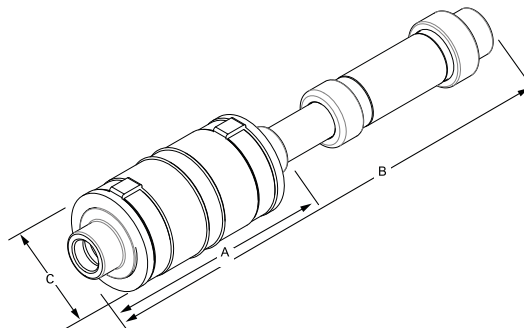
### XD Inner Sleeve:

- Molded plastic – natural (brown)

### Bonding Strap:

- Braided tinned copper

## Dimensions (in Inches):



Conduit Size	Cat. #	A Dia.	B Length	C Dia.
1"	<b>XJGD34</b>	3 <sup>15</sup> / <sub>16</sub> "	17 <sup>3</sup> / <sub>4</sub> "	7"
1 <sup>1</sup> / <sub>4</sub> "	<b>XJGD44</b>	4 <sup>1</sup> / <sub>2</sub> "	18 <sup>5</sup> / <sub>8</sub> "	7 <sup>3</sup> / <sub>8</sub> "
1 <sup>1</sup> / <sub>2</sub> "	<b>XJGD54</b>	4 <sup>1</sup> / <sub>2</sub> "	18 <sup>5</sup> / <sub>8</sub> "	7 <sup>1</sup> / <sub>4</sub> "
2"	<b>XJGD64</b>	4 <sup>15</sup> / <sub>16</sub> "	19 <sup>1</sup> / <sub>4</sub> "	7 <sup>1</sup> / <sub>4</sub> "
2 <sup>1</sup> / <sub>2</sub> "	<b>XJGD74</b>	5 <sup>3</sup> / <sub>16</sub> "	20 <sup>3</sup> / <sub>4</sub> "	7 <sup>1</sup> / <sub>2</sub> "
3"	<b>XJGD84</b>	5 <sup>15</sup> / <sub>16</sub> "	21 <sup>5</sup> / <sub>8</sub> "	7 <sup>5</sup> / <sub>8</sub> "
3 <sup>1</sup> / <sub>2</sub> "	<b>XJGD94</b>	6 <sup>1</sup> / <sub>2</sub> "	21 <sup>5</sup> / <sub>8</sub> "	7 <sup>3</sup> / <sub>4</sub> "
4"	<b>XJGD104</b>	8"	27 <sup>3</sup> / <sub>4</sub> "	7 <sup>1</sup> / <sub>8</sub> "