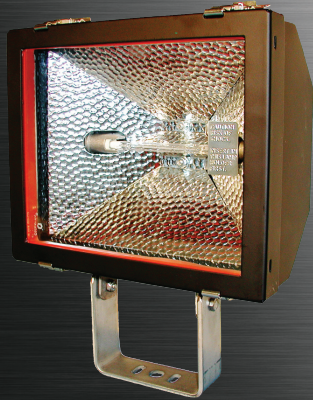


Pro

ProFlood Achiever QA/al



FEATURES

- 300 - 1500w quartz halogen.
- Rugged yoke mount floodlight with thermal shock resistant tempered glass lens.
- High temperature silicone gasket provides a watertight seal.
- Wide NEMA 6x 6 beam spread.
- Field replaceable lens and gasket.
- Protective guard available.

APPLICATIONS

- Marine & watertight requirements
- Dusttight requirements
- Waste water treatment plants
- Pulp and paper production
- Corrosive environments

APPROVALS

- Conforms to IP66
- Marine Outside Type Saltwater
- ABS

STANDARDS

- UL 1598A - Luminaires for Marine Vessels

TECHNICAL SPECIFICATIONS

HOUSING

Copper free aluminum with an electrostatically applied black polyester powder coat finish.

WIND RATING

QA1603/1605: EPA - 0.9 at vertical.

QA1610/1615: EPA - 1.54 at vertical.

GUARD

Optional, type 316 stainless steel.

MOUNTING BRACKETS

Stainless steel, trunnion.

ENTRIES

One watertight cable gland and 6 feet of cable.

GASKETS

One piece silicone.

HARDWARE

Four stainless steel positive locking spring loaded latches.

REFLECTOR

Hammertone aluminum.

LENS

Tempered glass.

LAMP HOLDERS

Spring loaded.

VOLTAGE

300w, 500w models are rated for 120v only.

1000w, 1500w models are rated for 208v, 220v, or 240v.

LAMP TYPES

T3 quartz halogen.

300w, 500w lamps provided.

1000w, 1500w lamps not provided unless voltage is specified.

ORDERING REFERENCES

PART NUMBER	DESCRIPTION	ANSI LAMP TYPE	WEIGHT LBS
QA1603	300w Quartz Halogen	T-3 RSC	5.5
QA1605	500w Quartz Halogen	T-3 RSC	5.5
QA1610*	1000w Quartz Halogen	T-3 RSC	8.5
QA1615*	1500w Quartz Halogen	T-3 RSC	8.5

*Lamps not provided unless operating voltage is specified when ordering.

SPECIAL OPTIONS

- GRD* - Guard
- TV* - Top/Side Visor
- 208** - 208v (1500w only)
- 220** - 220v
- 240** - 240v

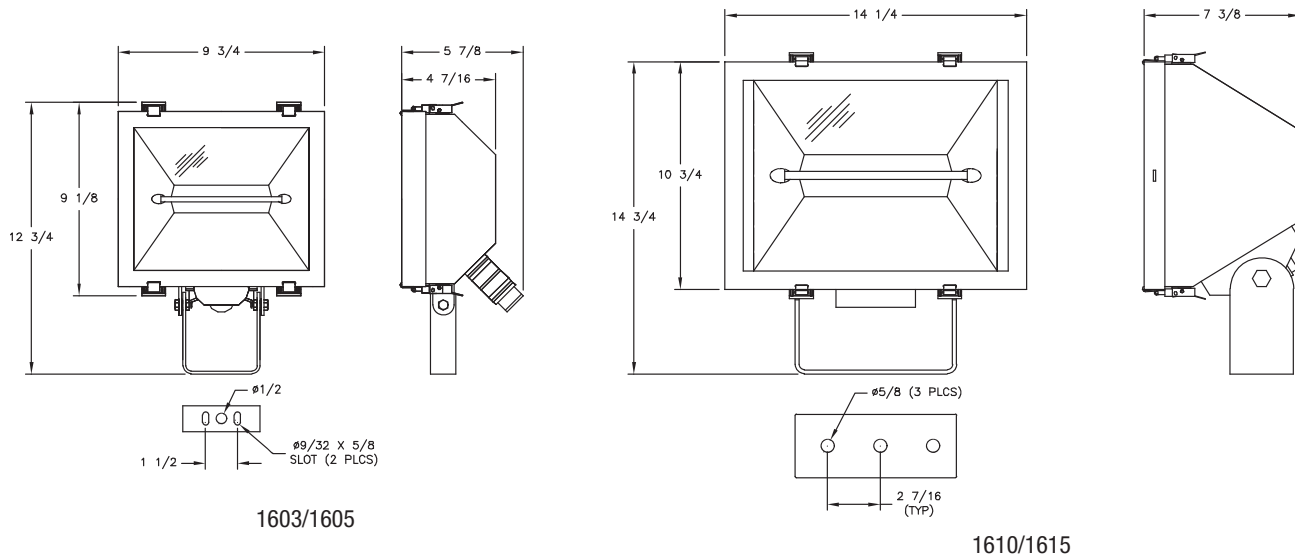
*Can not be field installed, specify at order placement.

**Not available in 300w or 500w.

SPARE PARTS

Part No.	Description		
INX2149	LENS, 300w-500w	INX3521	LAMP, 500w Halogen 120v
INX2160	LENS, 1000w-1500w	INX3635	LAMP, 1000w Halogen 220v
INX4095	LAMP HOLDER, 300w-500w	INX3645	LAMP, 1000w Halogen 240v
INX4084	LAMP HOLDER, 1000w-1500w	INX3640	LAMP, 1500w Halogen 208v
GKT6089-30.75	GASKET, 300w-500w	INX3522	LAMP, 1500w Halogen 220v
GKT6089-45	GASKET, 1000w-1500w	INX3646	LAMP, 1500w Halogen 240v
INX3609	LAMP, 300w Halogen 120v	SC30H	SAFETY CABLE, 48" Stainless Steel, Snap Hook

DIMENSIONS



Dimensions in inches