



Pauluhn™ Summit

High bay fluorescent luminaire for food & beverage/industrial locations

The Pauluhn Summit is the perfect high bay fixture for medium duty industrial locations. The rugged Summit is engineered to shed debris, and is IP66 rated for moisture protection in hose down applications.

Applications:

- Locations requiring continuous and consistent light levels
- Food and beverage processing and storage
- Power generation facilities
- Water/wastewater treatment facilities
- Pharmaceutical facilities

Key features & benefits:

- High lumen output: up to 30,000 lumens
- Complete portfolio of T5, T8 and T5HO fluorescent models
- Versatile mounting options
- NSF rated
- Operating ambient: -25°C to +55°C
- Optimized debris shedding design
- USDA compliant
- High pressure hose down rated

Certifications:

- Type 4 (EAB only); Type 4X (ESB only)
- IP66
- UL1598 Luminaires (CSA-US)
- UL924 Emergency Lighting Equipment (CSA-US)
- CSA 22.2 No. 250-4
- CSA C22.2 141
- Canadian Processed Products Regulations C.R.C., c.291
- NSF/ANSI 2-2010 Splash Zone

Materials:

Housing:

- Type 5052 aluminum (EAB only)
- Type 304 stainless steel; Type 316 stainless steel (optional) (ESB only)

Lens:

- Acrylic; polycarbonate and tempered glass (optional)



ESB



EAB



Powering Business Worldwide

Ordering information

Part Number Example

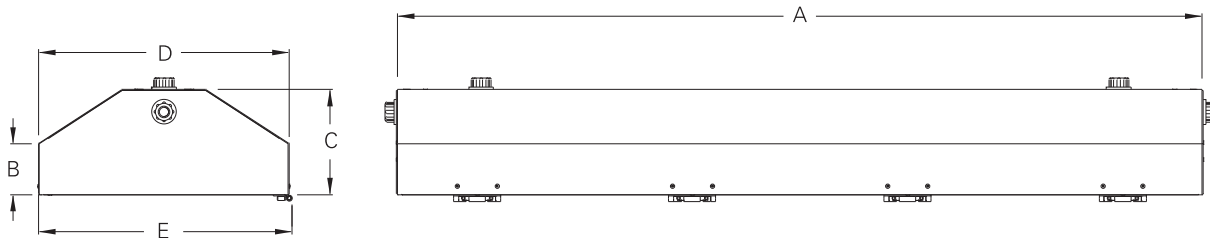
EAB46570EM2

EAB Series, 4 foot, 6 lamps, F54 (T5HO mini bi-pin), 120-277V 50/60 Hz, pendant mounting, emergency battery back-up ballast

EAB	4	6	5	7	0	EM2																																																																
<p>Series</p> <table border="1"> <tr><td>EAB</td><td>Bolted door (aluminum)</td></tr> <tr><td>ESB</td><td>Bolted door (stainless steel)</td></tr> <tr><td>EA</td><td>Quick release (aluminum)</td></tr> <tr><td>ES</td><td>Quick release (stainless steel)</td></tr> </table> <p>Length (nominal)</p> <table border="1"> <tr><td>2</td><td>2 foot</td></tr> <tr><td>4</td><td>4 foot</td></tr> </table> <p>Number of lamps</p> <table border="1"> <tr><td>2</td><td>2 lamps</td></tr> <tr><td>3</td><td>3 lamps</td></tr> <tr><td>4</td><td>4 lamps</td></tr> <tr><td>6</td><td>6 lamps (lamp type 5, 5°F/35°C max. ambient - ESB only)</td></tr> </table>	EAB	Bolted door (aluminum)	ESB	Bolted door (stainless steel)	EA	Quick release (aluminum)	ES	Quick release (stainless steel)	2	2 foot	4	4 foot	2	2 lamps	3	3 lamps	4	4 lamps	6	6 lamps (lamp type 5, 5°F/35°C max. ambient - ESB only)			<p>Lamp types</p> <table border="1"> <tr><td>1</td><td>2 ft. F17 or 4 ft. F32 (T8 bi-pin)</td></tr> <tr><td>5</td><td>2 ft. F24 or 4 ft. F54 (T5HO mini bi-pin)</td></tr> <tr><td>6</td><td>2 ft. F14 or 4 ft. F28 (T5 mini bi-pin)</td></tr> <tr><td>7</td><td>4 ft. F48 (T8HO RDC)</td></tr> </table> <p>Voltage/frequency</p> <table border="1"> <tr><td>6</td><td>347V 60 Hz</td></tr> <tr><td>7</td><td>120-277V 50/60 Hz</td></tr> <tr><td>9</td><td>480V 60 Hz</td></tr> </table> <p>Mounting style</p> <table border="1"> <tr><td>0</td><td>Pendant (2) ½" NPT hubs</td></tr> <tr><td>1</td><td>Feed through (2) ½" NPT hubs</td></tr> <tr><td>2</td><td>Pendant/feed through (4) ½" NPT hubs</td></tr> <tr><td>3</td><td>Pendant (2) ¾" NPT hubs</td></tr> <tr><td>4</td><td>Feed through (2) ¾" NPT hubs</td></tr> <tr><td>5</td><td>Pendant/feed through (4) ¾" NPT hubs</td></tr> </table>	1	2 ft. F17 or 4 ft. F32 (T8 bi-pin)	5	2 ft. F24 or 4 ft. F54 (T5HO mini bi-pin)	6	2 ft. F14 or 4 ft. F28 (T5 mini bi-pin)	7	4 ft. F48 (T8HO RDC)	6	347V 60 Hz	7	120-277V 50/60 Hz	9	480V 60 Hz	0	Pendant (2) ½" NPT hubs	1	Feed through (2) ½" NPT hubs	2	Pendant/feed through (4) ½" NPT hubs	3	Pendant (2) ¾" NPT hubs	4	Feed through (2) ¾" NPT hubs	5	Pendant/feed through (4) ¾" NPT hubs			<p>Options</p> <table border="1"> <tr><td>EM2*</td><td>Emergency battery back-up ballast, 1 lamp, 277V max.</td></tr> <tr><td>EM3*</td><td>Emergency battery back-up ballast, high lumen, 1 lamp, 277V max.</td></tr> <tr><td>L</td><td>Lamps</td></tr> <tr><td>HR</td><td>High reflectance reflector</td></tr> <tr><td>G</td><td>Tempered glass lens</td></tr> <tr><td>P</td><td>Polycarbonate lens</td></tr> <tr><td>Z</td><td>316 stainless steel (ESB only)</td></tr> <tr><td>W3</td><td>3 ft. 16/3 cord; change suffix 3 for longer cord (WP163SR-3)</td></tr> <tr><td>Q</td><td>Quick disconnect receptacle (WP003MR) (order connecting cords separately)</td></tr> </table>	EM2*	Emergency battery back-up ballast, 1 lamp, 277V max.	EM3*	Emergency battery back-up ballast, high lumen, 1 lamp, 277V max.	L	Lamps	HR	High reflectance reflector	G	Tempered glass lens	P	Polycarbonate lens	Z	316 stainless steel (ESB only)	W3	3 ft. 16/3 cord; change suffix 3 for longer cord (WP163SR-3)	Q	Quick disconnect receptacle (WP003MR) (order connecting cords separately)
EAB	Bolted door (aluminum)																																																																					
ESB	Bolted door (stainless steel)																																																																					
EA	Quick release (aluminum)																																																																					
ES	Quick release (stainless steel)																																																																					
2	2 foot																																																																					
4	4 foot																																																																					
2	2 lamps																																																																					
3	3 lamps																																																																					
4	4 lamps																																																																					
6	6 lamps (lamp type 5, 5°F/35°C max. ambient - ESB only)																																																																					
1	2 ft. F17 or 4 ft. F32 (T8 bi-pin)																																																																					
5	2 ft. F24 or 4 ft. F54 (T5HO mini bi-pin)																																																																					
6	2 ft. F14 or 4 ft. F28 (T5 mini bi-pin)																																																																					
7	4 ft. F48 (T8HO RDC)																																																																					
6	347V 60 Hz																																																																					
7	120-277V 50/60 Hz																																																																					
9	480V 60 Hz																																																																					
0	Pendant (2) ½" NPT hubs																																																																					
1	Feed through (2) ½" NPT hubs																																																																					
2	Pendant/feed through (4) ½" NPT hubs																																																																					
3	Pendant (2) ¾" NPT hubs																																																																					
4	Feed through (2) ¾" NPT hubs																																																																					
5	Pendant/feed through (4) ¾" NPT hubs																																																																					
EM2*	Emergency battery back-up ballast, 1 lamp, 277V max.																																																																					
EM3*	Emergency battery back-up ballast, high lumen, 1 lamp, 277V max.																																																																					
L	Lamps																																																																					
HR	High reflectance reflector																																																																					
G	Tempered glass lens																																																																					
P	Polycarbonate lens																																																																					
Z	316 stainless steel (ESB only)																																																																					
W3	3 ft. 16/3 cord; change suffix 3 for longer cord (WP163SR-3)																																																																					
Q	Quick disconnect receptacle (WP003MR) (order connecting cords separately)																																																																					

*For T5 and T5HO, EM ballast is fixed voltage, 120 or 277V, 50/60 Hz.

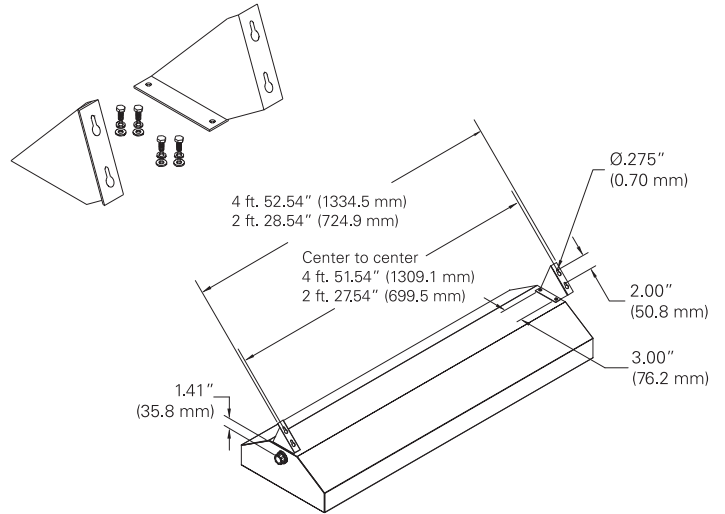
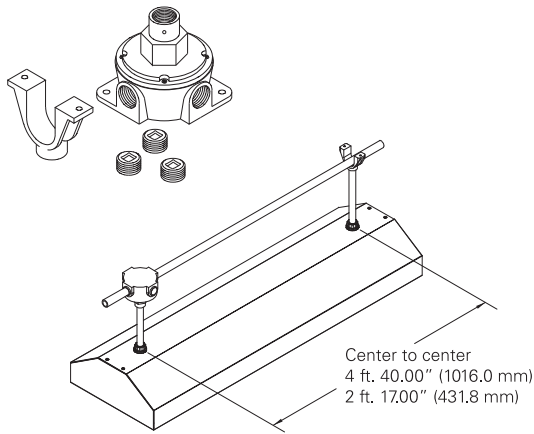
Dimensions



Nominal length	Dimensions in inches/centimeters					Carton L x W x D (inches)	Nominal weight†	
	A	B	C	D	E		EAB lbs. (kg.)	ESB lbs. (kg.)
2 foot	26.59 (67.50)	3.20 (8.10)	6.59 (16.70)	15.72 (39.90)	15.92 (40.40)	28-3/4 x 16-3/8 x 7-1/8	21.00 (9.50)	30.00 (13.61)
4 foot	50.59 (128.50)	3.20 (8.10)	6.59 (16.70)	15.72 (39.90)	15.92 (40.40)	53 x 16-3/8 x 7-1/8	34.00 (15.40)	54.00 (24.50)

†Add 1 lb. for 3 or 4 lamps. Add 2 lbs. for 5 or 6 lamps.

Mounting options



HP1095MTK

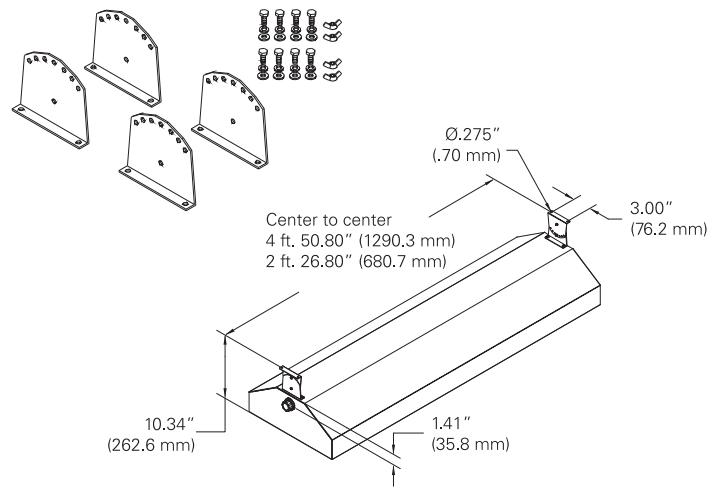
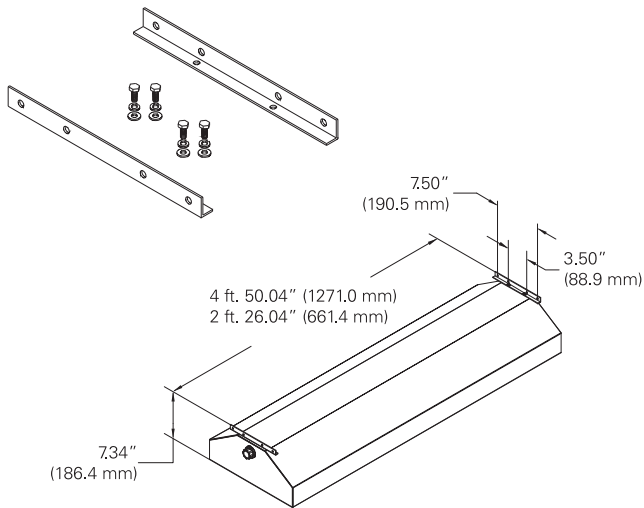
Pendant kit

(1) saddle clamp and (1) universal junction box and cover (3/4" NPT hubs).

HP1099MTK

Fixed wall mount kit

(2) angled stainless steel wall brackets and hardware.



HP1093MTK

Chain/cable mount kit

(2) stainless steel chain brackets and hardware

HP1097MTK

Adjustable mount kit

(2) pairs of stainless steel brackets and hardware.

**U.S. (global headquarters):
Eaton's Crouse-Hinds Division**

1201 Wolf Street
Syracuse, NY 13208

(866) 764-5454
FAX: (315) 477-5179
FAX Orders Only:
(866) 653-0640

crousecustomerctr@eaton.com

For more information:

If further assistance is required, please contact an authorized Eaton Distributor, Sales Office, or Customer Service Department.

Canada

Toll Free: 800-265-0502
FAX: (800) 263-9504
FAX Orders only: (866) 653-0645

Mexico/Latin America/Caribbean

52-555-804-4000
FAX: 52-555-804-4020
ventascentromex@eaton.com

Europe (Germany)

49 (0) 6271 806-500
49 (0) 6271 806-476
sales.CCH.de@cooperindustries.com

Middle East

9714-8066100
FAX: 9714-8894813
chmesales@eaton.com

Singapore

65-6645-9888
FAX: 65-6297-4819
chsi-sales@cooperindustries.com

China

86-21-2899-3600
FAX: 86-21-2899-4055
cchsales@cooperindustries.com

Korea

82-2-3484-6783
82-2-3484-6778
CCHK-sales@cooperindustries.com

Australia

61-2-8787-2777
FAX: 61-2-9609-2342
CEASales@cooperindustries.com

India

91-124-4683888
FAX: 91-124-4683899
cchindia@eaton.com

Eaton's Crouse-Hinds
1201 Wolf Street
Syracuse, NY 13208
Crouse-Hinds.com

Eaton
1000 Eaton Boulevard
Cleveland, OH 44122
United States
Eaton.com

© 2016 Eaton
All Rights Reserved
Printed in USA
Publication No. 5293-0416
April 2016

Eaton is a registered trademark.
All other trademarks are property of their respective owners.