

GUB Instrument Housings

Cl. I, Div. 1 & 2, Group D
 Cl. II, Div. 1, Groups E, F, G
 Cl. II, Div. 2, Groups F, G
 Class III
 NEMA 3, 7D, 9EFG, 12
 Ex d IIC, ATEX Certified

Explosionproof
 Dust-Ignitionproof
 Raintight/Wet Locations
 Watertight

1E

Applications:

- GUB instrument housings are used:
- To enclose ammeters, voltmeters, wattmeters, varimeters, power-factor meters, tachometer indicators, pressure controls, temperature control etc., in a threaded rigid metallic conduit system
 - In specific hazardous atmospheres such as encountered in oil refineries, chemical plants, paint and varnish manufacturing plants, certain hazardous metal finishing areas, coal processing locations, granaries and grain processing plants

Features:

- Threaded covers have glass windows for viewing scale, dial or setting of enclosed instrument.
- Mounting plates, brackets or pillars for mounting a wide variety of instruments not shown on the next page are available on special order. Instrument to be used must be specified by make, complete identification data and dimensions.

Certifications and Compliances:

- NEC/CEC:
 - Class I, Division 1 & 2, Group D
 - Class II, Division 1, Groups E, F, G
 - Class II, Division 2, Groups F, G
 - Class III
- NEMA/EEMAC: 3, 7D, 9EFG, 12
- UL Standard: 1203
- CSA Standard: C22.2 No. 30
- IEC Standards: EN60079-0, EN60079-1
- Ex II 2 G Ex d IIC Gb
- PTB 01 ATEX 1019 U

Standard Materials:

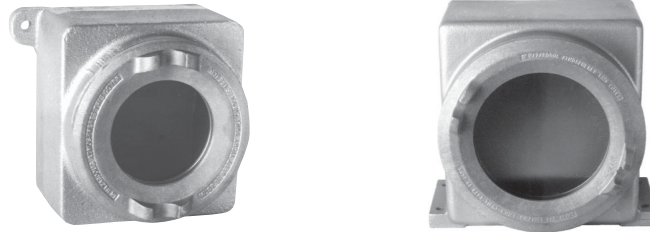
- Body – *Feraloy*® iron alloy
- Cover – copper-free aluminum
- Window – heat strengthened plate glass

Standard Finishes:

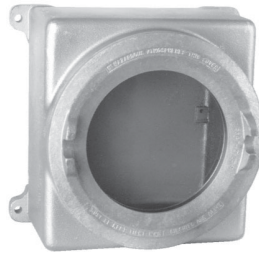
- Feraloy* iron alloy – electrogalvanized and aluminum acrylic paint
- Copper-free aluminum – natural

Options:

Description	Suffix
Other conduit opening sizes and arrangements can be furnished	
For 3/4" hub top and bottom	22
With ATEX Component Certification	ATEX



GUB01 shown with GUB0110 glass cover GUB04 shown with GUB0109 glass cover



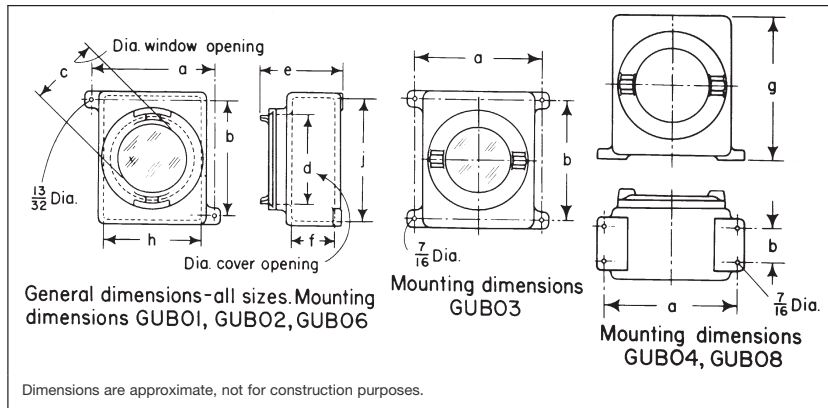
GUB03 shown with GUB0109 glass cover

Ordering Information - Empty Housing

Basic Housing	Conduit Opening		Cat. #
	Size	Position	
GUB01	3/4	Top	GUB110 1 20
		Bottom	GUB110 1 02
GUB02	3/4	Top	GUB218 1 20
		Bottom	GUB218 1 02
GUB06	3/4	Top	GUB619 1 20
		Bottom	GUB619 1 02
GUB03	3/4	Top	GUB319 1 20
		Bottom	GUB319 1 02

Dimensions

In Inches:



GUB	a	b	c	d	e	f	g	h	j
1	7 1/2	5 3/4	3 3/8	5 1/2	5 3/4	3		5 7/8	6 1/2
2	9	8 3/4	4 3/4	7	6	3		7 7/8	9 3/8
3	12 7/8	10 3/4	6 13/16	9 5/8	8 5/16	5		9 3/4	10 3/4
4	12 7/8	3 1/2	6 13/16	9 5/8	8 13/16	5	12 1/4	9 3/4	10 3/4
6	9 1/2	8 3/4	4 3/4	7	7	4		7 5/8	9 3/8
8	9 5/8	2 1/2	4 3/4	7	6 15/16	4	10 1/4	7 5/8	9 1/8

1E GUB Instrument Housings

Cl. I, Div. 1 & 2, Group D Explosionproof
 Cl. II, Div. 1, Groups E, F, G Dust-Ignitionproof
 Cl. II, Div. 2, Groups F, G Raintight/Wet Locations
 Class III Watertight
 NEMA 3, 7D, 9EFG, 12

Ordering Information - Housing with Mounting Plate for Standard Meters

Inst. Size	Basic Housing	Cat. #
3½	GUB01	GUB1103 1 20* GUB11031 1 20
4	GUB06	GUB6191 1 20 GUB6192 1 20 GUB6193 1 20
4½	GUB02	GUB2184 1 20*
6	GUB03	GUB3190 1 20* GUB3191 1 20

*These boxes available for use in Class I, Division 1 and 2, Group B and C hazardous areas. Add suffix GB to Cat. No. Seals must be installed within 1½" of each conduit opening for Group B & C usages.

Note: These standard instrument housings are furnished with one top feed ¼" drilled and tapped opening.

Note: Meters are not included.

Ordering Information - Housing with Standard Meter Included†

Manufacturer	Model	Inst. Size in.	Type Flange	Cat. #	Max. Inst. Depth‡
G.E.	Type 250	3½	Rect. Flush	GUB1103 1 20*	
Westinghouse	R-351 Series	3½	Rect. Flush		
	N-351 Series	3½	Round Flush		
Weston	301 Series	3½	Rect. Flush		
	301 Series	3½	Round Flush		
	723	3½	Rect. Flush		
G.E.	KT-11 Elapsed Time Meter Without Reset	3½	Round Flush or Rect.Flush	GUB11031 1 20	
	236 Elapsed Time Meter Without Reset	3½	Round Flush or Rect.Flush		
Westinghouse	BH351 Elapsed Time Meter Without Reset	3½	Rect. Flush		
G.E.	Type 250	4½	Rect. Flush	GUB2184 1 20*	
Westinghouse	R-371 Series	4½	Rect. Flush		
	N-371 Series	4½	Round Flush		
Weston	1900 Series	4½	Rect. Flush		
Westinghouse	KX-251	6	Rect.	GUB3190 1 20*	
	KA-251	6	Rect.		
	KY-25	6	Rect.		
Weston	271	7	Fan	GUB3191 1 20	
	273	9	Fan		
G.E.	AB-14 Series	4	Rect. Flush	GUB6191 1 20 GUB6192 1 20 GUB6193 1 20	4 ⁹ / ₁₆ 6 ⁷ / ₁₆ 7 ¹¹ / ₁₆
	DB-14 Series	4	Rect. Flush		
	AB-18 Series	4	Rect. Flush		
	DB-18 Series	4	Rect. Flush		
	AB-30 Series	4	Rect. Flush		
	DB-30 Series	4	Rect. Flush		
	AB-40 Series	4	Rect. Flush		
DB-40 Series	4	Rect. Flush			
Westinghouse	K-241 Series	4½	Rect. Flush		

†Standard meters are to be purchased separately from manufacturers listed.

‡Select housing based on depth of instrument to be enclosed.

*These boxes available for use in Class I, Division 1 and 2, Group B and C hazardous areas. Add suffix GB to Cat. No. Seals must be installed within 1½" of each conduit opening for Group B & C usages.