



Fiberglass Enclosures

Durable non-metallic enclosures designed to provide exceptional protection in the harshest environments

 **COOPER** Crouse-Hinds





Table of Contents

Introduction to Fiberglass Enclosures	2
Quick Selector Guide	4
Small Line Series	6
Pushbutton Series	8
Junction Box Series	11
Raised Cover Series	14
Xtra Deep Series.....	17
Advantage Series	19
Wall Mount & Large Fiberglass Enclosures ...	21
Disconnect & Circuit Breaker Series	26
Accessories	28
Krydon Series	32
Custom Built Solutions.....	33
Index.....	37

Cooper Crouse-Hinds® Non-Metallic Enclosures

Setting the standard with safe, reliable electrical products, people, procedures and proficiencies. Delivering advantage you can use every day.

For more than a century, companies have come to rely on Cooper Crouse-Hinds for value they can trust to grow their business. By integrating a comprehensive line of reliable electrical products with expert support, industry insights, and local availability, we enhance safety and productivity in the most demanding industrial and commercial environments worldwide. This philosophy is at the core of every product we develop and every solution we engineer.

Reliability you can count on for the most corrosive applications

Partnering with Cooper Crouse-Hinds and our dedicated team of industry experts can help you succeed. Since 1897, we have led the development of safer, more reliable ways to power the most challenging harsh and hazardous areas. Cooper Crouse-Hinds has long been established as a leader in enclosures for Hazardous, Industrial and Commercial applications. Enclosures are engineered and manufactured to perform through the most corrosive conditions needed by OEMs, MRO, Waste Water Treatment Facilities and Chemical Plants. These exceptionally durable, corrosion resistant enclosures can withstand extreme abuse and exposure to chemicals, water, and extreme conditions.



Enclosure knowledge and experience with:

- Products that deliver superior performance
- Low maintenance choices, like durable non-metallic enclosures with features designed to provide optimum protection in the harshest environments
- Dedicated and expert sales support to help select products that perform reliably and cost effectively






A commitment to safety and productivity






Cooper Crouse-Hinds is helping more industrial facility owners, operators and engineers succeed each day – safely and cost effectively. It's part of our commitment to focus on industries where our experience, expertise and products can make the biggest impact.

Fiberglass Enclosures are:

- **Lighter and easier to handle**
- **Strong enough to hold up under extreme conditions**
- **Equal to stainless steel in corrosion and chemical resistance, and far better than carbon steel**
- **Non-conductive (an electrical insulator rather than electrical conductor)**
- **Easier to punch, drill or saw**
- **Less expensive to ship**

Fiberglass Enclosures Quick Selector Guide

CATALOG SERIES	PRODUCT GROUP & SIZE	MATERIALS	NUMBER OF SIZES	ENVIRONMENTAL RATING
SMALL LINE SERIES 	Small Enclosure 3" x 3" to 17" x 3"	<ul style="list-style-type: none"> Fiberglass reinforced thermoset polyester Poured polyurethane seamless gasket Recessed captive stainless steel screws 304 stainless steel used on all external hardware 	11	UL/cUL CSA Std C22.2 NEMA Types 1, 3R, 4X, 6P, 12
PUSHBUTTON SERIES 	Small Enclosure 6" x 3" to 13.5" x 11.5" <i>Inline and multi-hole configurations, 30mm and 22mm configurations offered</i>	<ul style="list-style-type: none"> Fiberglass reinforced thermoset polyester Poured polyurethane seamless gasket Recessed captive stainless steel screws 304 stainless steel used on all external hardware 	21	UL/cUL CSA Std C22.2 NEMA Types 1, 3, 4X, 6P, 12
JUNCTION BOX SERIES 	Instrument Enclosure 6" x 4" to 20" x 16"	<ul style="list-style-type: none"> Fiberglass reinforced thermoset polyester Poured polyurethane seamless gasket Recessed captive stainless steel screws 304 stainless steel used on all external hardware 	76	UL/cUL CSA Std C22.2 NEMA Types 1, 3, 4X, 6P, 12
RAISED COVER SERIES 	Instrument Enclosure 6" x 4" to 20" x 16"	<ul style="list-style-type: none"> Fiberglass reinforced thermoset polyester Poured polyurethane seamless gasket Stainless steel screws 304 stainless steel used on all external hardware 	33	UL/cUL CSA Std C22.2 NEMA Types 1, 3, 4X, 6P, 12
ADVANTAGE SERIES 	Instrument Enclosure 6" x 6" to 20" x 16"	<ul style="list-style-type: none"> Fiberglass reinforced thermoset polyester Poured polyurethane seamless gasket Stainless steel screws 304 stainless steel used on all external hardware 	36	UL/cUL CSA Std C22.2 NEMA Types 1, 3, 3S, 4X, 12, 13

CATALOG SERIES	PRODUCT GROUP & SIZE	MATERIALS	NUMBER OF SIZES	ENVIRONMENTAL RATING
WALL MOUNT SERIES-3R AND 4X SERIES 	Wall Mount Enclosure 16" x 10" to 48" x 36" <i>NEMA 3R or 4X</i>	<ul style="list-style-type: none"> Fiberglass reinforced thermoset polyester Poured polyurethane seamless gasket Stainless steel screws 304 stainless steel used on all external hardware 	28	UL/cUL CSA Std C22.2 (3R) NEMA Types 1, 3R (4X) NEMA Types 1, 3, 3R, 4X, 12
WALL MOUNT SERIES-LARGE SERIES 	Wall Mount Enclosure/Free-standing Enclosure 48" x 36" to 72" x 49" <i>Large & Free-standing enclosures with double door options</i>	<ul style="list-style-type: none"> Fiberglass reinforced thermoset polyester Poured polyurethane seamless gasket Stainless steel screws 304 stainless steel used on all external hardware 	7	UL/cUL CSA Std C22.2 NEMA Types 1, 3, 3R, 4X, 12
DISCONNECT & CIRCUIT BREAKER SERIES 	Wall Mount Enclosure 16" x 10" to 36" x 30" <i>Industrial Control System applications</i>	<ul style="list-style-type: none"> Fiberglass reinforced thermoset polyester Poured polyurethane seamless gasket Stainless steel screws 304 stainless steel used on all external hardware 	6	UL/cUL CSA Std C22.2 NEMA Types 1, 3, 3R, 4X, 12
XTRA DEEP SERIES 	Instrument Enclosure 6" x 4" to 20" x 16" <i>Extra Deep Cover</i>	<ul style="list-style-type: none"> Fiberglass reinforced thermoset polyester Poured polyurethane seamless gasket Recessed captive stainless steel screws 304 stainless steel used on all external hardware 	11	UL/cUL CSA Std C22.2 NEMA Types 1, 3, 4X, 12
KRYDON® SERIES 	<p>Cooper Crouse-Hinds has a full line of Krydon material enclosures. These solid, one-piece construction enclosures are made of a proprietary formulation of fiberglass reinforced polyester that has high impact strength, is fire retardant, heat resistant and withstands weathering.</p> <p>Krydon enclosures are:</p> <ul style="list-style-type: none"> Strong and durable while providing longer service life for equipment Class I, Division 2 Groups B,C,D rating on many Krydon products Are available in an expansive range of product groups Are available in hundreds of sizes and options <p>See page 32 and the Cooper Crouse-Hinds catalog for more information on Krydon material enclosures</p>			

Small Line Series

The Cooper Crouse-Hinds Small Line Series offer a light-weight, compact, versatile solution for applications requiring tight or confined spaces. The Small Line Series houses everything from terminal blocks to small positional control. Available in a choice of two body styles, these enclosures are made of fiberglass reinforced polyester and have a memory retaining polyurethane gasket and stainless steel screws for exceptional corrosion and chemical resistance. The Small Line Series will hold up under the most extreme conditions and provide protection in adverse environments such as water, steam, vapor or chemicals.

Features & Benefits

- Lift-off cover design with 4 cover screws
- Memory retaining continuous polyurethane gasket
- Captive stainless steel cover screws
- Chemical resistant fiberglass reinforced polyester
- Submersible, non-corrosive design
- Water-tight, dust-tight
- Non-conductive, impact resistant, UV resistant
- Material cuts, drills, punches, and saws with ease and accuracy
- Rounded edges, minimal protrusions or exposed pocket areas for assembly of dust and debris
- Smooth surface, no color variations, swirls or color pockets, no voids

Standard Materials/Finishes

- Hot compression molded fiberglass reinforced thermoset polyester
- Poured polyurethane seamless gasket provides water-tight dust-tight environmental seal
- Captive stainless steel screws
- 304 stainless steel used on all external hardware

Certification & Compliances

- UL/cUL 50, Types 1, 3R, 4X, 6P, 12
- UL File Number E57656
- CSA Std C22.2 - File 244248 Types 1, 3R, 4X, 6P, 12
- NEMA Standard 250 - Types 1, 3R, 4X, 6P, 12
- Temperature Range - (-76°F to +250°F) (-60°C to +120°C)
- Flammability Rating - UL94-5V
- Non-flame propagating

Options

- Mounting Feet kit available for field installation. Order part number FSJMTGFTKIT



Small Line Series - Ordering Information

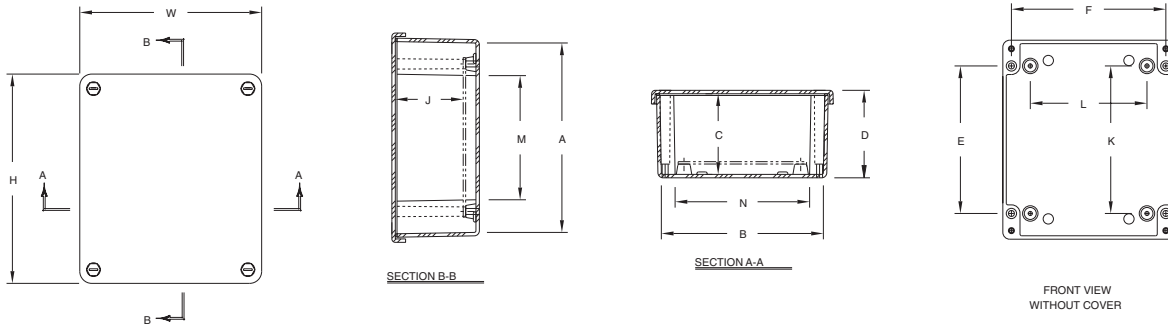


Inside H x W x D	FSJBS 4 Cover Screws With a Beveled Cover Design	FSJS 4 Cover Screws With a Flat Cover Design	Mounting Plate**
3.13 x 3.03 x 2.70	FSJBS030302*		
5.38 x 3.03 x 2.87	FSJBS050302		
6.00 x 3.19 x 3.63	FSJBS060404		
7.82 x 3.03 x 2.87	FSJBS080302		
8.26 x 3.19 x 3.63	FSJBS080404		
8.75 x 3.03 x 2.87	FSJBS090302		
10.51 x 3.19 x 3.63	FSJBS110404		
13.19 x 3.03 x 2.87	FSJBS140302		
16.75 x 3.03 x 2.87	FSJBS170302		
6.90 x 5.90 x 2.88		FSJS070603	FMP0706
9.15 x 5.90 x 2.88		FSJS090603	FMP0906

* Flat Cover

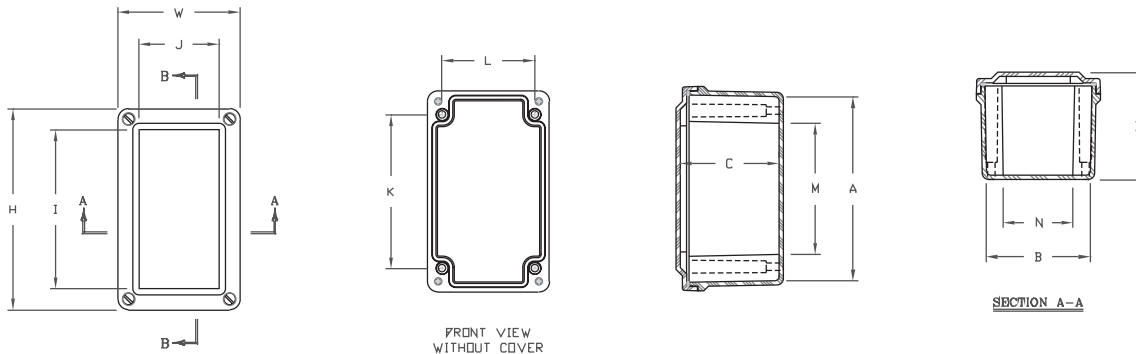
** Available in: Aluminum (SA), Fiberglass (FG), Carbon Steel (CS), and Stainless Steel (SS)
To order, add the suffix to the end of the part number

Small Line Series - Dimensional Drawings



Small Line Series - FSJS Configuration Dimensions In Inches (mm)

CATALOG NUMBER	OVERALL H X W X D	INSIDE A X B X C	MOUNTING E X F	J	K	L	M	N	WEIGHT
FSJS070603	7.63 x 6.63 x 3.19 (194 x 168 x 81)	6.90 x 5.90 x 2.88 (175 x 150 x 73)	5.37 x 5.63 (137 x 143)	2.48 (63)	5.3 (137)	4.25 (108)	4.52 (115)	4.9 (124)	3 lbs.
FSJS090603	9.87 x 6.63 x 3.19 (251 x 168 x 81)	9.15 x 5.90 x 2.88 (232 x 150 x 73)	7.62 x 5.63 (194 x 143)	2.48 (63)	7.62 (194)	4.25 (108)	6.77 (172)	4.9 (124)	3 lbs.



Small Line Series - FSJBS Configuration Dimensions In Inches (mm)

CATALOG NUMBER	OVERALL H X W X D	INSIDE A X B X C	I	J	K	L	M	N	WEIGHT
FSJBS030302	3.72 x 3.63 x 2.95 (95 x 92 x 75)	3.13 x 3.03 x 2.70 (79 x 77 x 69)	0 (0)	0 (0)	2.31 (59)	2.75 (70)	1.59 (40)	2.03 (52)	1 lbs.
FSJBS050302	5.97 x 3.63 x 3.14 (152 x 92 x 80)	5.38 x 3.03 x 2.87 (137 x 77 x 73)	4.72 (120)	2.38 (61)	4.56 (116)	2.75 (70)	3.84 (98)	2.03 (52)	1 lbs.
FSJBS060404	6.63 x 3.81 x 3.89 (168 x 97 x 99)	6.00 x 3.19 x 3.63 (153 x 81 x 92)	5.31 (135)	2.50 (64)	4.88 (124)	2.94 (75)	4.13 (105)	2.19 (56)	2 lbs.
FSJBS080302	8.41 x 3.63 x 3.14 (214 x 92 x 80)	7.82 x 3.03 x 2.87 (199 x 77 x 73)	7.16 (182)	2.38 (60)	7.00 (178)	2.75 (70)	6.28 (160)	2.03 (52)	2 lbs.
FSJBS080404	8.88 x 3.81 x 3.89 (225 x 97 x 99)	8.26 x 3.19 x 3.63 (210 x 81 x 92)	7.56 (192)	2.50 (64)	7.13 (181)	2.94 (75)	6.38 (162)	2.19 (56)	2 lbs.
FSJBS090302	9.35 x 3.63 x 3.14 (237 x 92 x 80)	8.75 x 3.03 x 2.87 (222 x 77 x 73)	8.10 (206)	2.38 (60)	7.94 (202)	2.75 (70)	7.22 (183)	2.03 (52)	2 lbs.
FSJBS110404	11.13 x 3.81 x 3.89 (283 x 97 x 99)	10.51 x 3.19 x 3.63 (267 x 81 x 92)	9.81 (249)	2.50 (64)	9.37 (238)	2.94 (75)	8.63 (219)	2.19 (56)	2 lbs.
FSJBS140302	13.78 x 3.63 x 3.14 (350 x 92 x 80)	13.19 x 3.03 x 2.87 (335 x 77 x 73)	12.53 (318)	2.38 (60)	12.37 (314)	2.75 (70)	11.66 (296)	2.03 (52)	2 lbs.
FSJBS170302	17.35 x 3.63 x 3.14 (441 x 92 x 80)	16.75 x 3.03 x 2.87 (426 x 77 x 73)	16.10 (409)	2.38 (60)	15.94 (405)	2.75 (70)	15.22 (387)	2.03 (52)	3 lbs.

Pushbutton Series

The **Cooper Crouse-Hinds Pushbutton Series** offer a solution for applications requiring an enclosure with multiple pre-drilled openings for push buttons available in 30mm and 22mm configurations. The notched keyhole design and the ability to order up to 25 holes, makes this versatile series a perfect match for your general purpose electrical and control station applications. Available in a choice of two body designs, these enclosures are made of fiberglass reinforced polyester and have a memory retaining polyurethane gasket and stainless steel screws for exceptional corrosion and chemical resistance. The Pushbutton Series will hold up under the most extreme conditions and provide protection in adverse conditions such as water, steam, vapor or chemicals.



Features & Benefits

- Lift-off cover design with 4 cover screws
- Memory retaining continuous polyurethane gasket
- Captive stainless steel cover screws
- Full metal grounding strap
- Notched key hole design
- Chemical resistant fiberglass reinforced polyester
- Submersible, non-corrosive design
- Water-tight, dust-tight
- Non-conductive, impact resistant, UV resistant
- Material cuts, drills, punches, and saws with ease and accuracy
- Rounded edges, minimal protrusions or exposed pocket areas for assembly of dust and debris
- Smooth surface, no color variations, swirls or color pockets, no voids

Standard Materials/Finishes

- Hot compression molded fiberglass reinforced thermoset polyester
- Poured polyurethane seamless gasket provides water-tight dust-tight environmental seal
- Captive stainless steel screws
- 304 stainless steel used on all external hardware
- Stainless steel beaded cover retention chain on the FPBM series

Certification & Compliances

- UL/cUL 50, Types 1, 3, 4X, 6P, 12
- UL File Number E57656
- CSA Std C22.2 - File 244248 Types 1, 3, 4X, 6P, 12
- NEMA Standard 250 - Types 1, 3, 4X, 6P, 12
- Temperature Range - (-76°F to +250°F) (-60°C to +120°C)
- Flammability Rating - UL94-5V
- Non-flame propagating

Options

- Mounting Feet kit available for field installation.
Order part number FSJMTGFTKIT

Pushbutton Series – Ordering Information



FPB
30mm
Pushbutton



FPB
22mm
Pushbutton



FPBM
30mm
Multi-Hole
Pushbutton



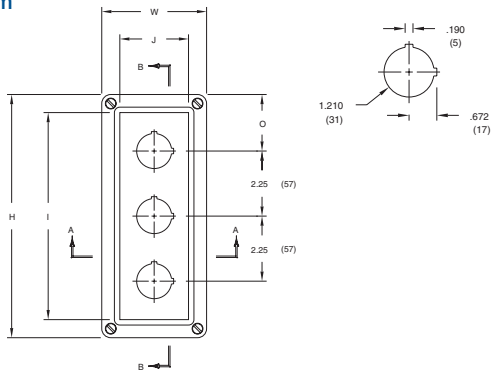
Mounting
Plate*

Inside H x W x D	Holes		Inside H x W x D		Inside H x W x D	Holes		Mounting Plate*
6.00 x 3.19 x 3.63	1	FPB31	6.00 x 3.19 x 3.63	FPB21	5.72 x 5.72 x 4.45	4	FPBM34	FMP0606
6.00 x 3.19 x 3.63	2	FPB32	6.00 x 3.19 x 3.63	FPB22	7.73 x 5.74 x 4.45	6	FPBM36	FMP0806
8.26 x 3.19 x 3.63	3	FPB33	6.00 x 3.19 x 3.63	FPB23	9.73 x 7.73 x 3.98	9	FPBM39	FMP1008
10.51 x 3.19 x 3.63	4	FPB34	8.26 x 3.19 x 3.63	FPB24	9.73 x 7.73 x 3.98	12	FPBM312	FMP1008
13.19 x 3.03 x 2.87	5	FPB35	10.51 x 3.19 x 3.63	FPB25	11.79 x 9.80 x 4.94	16	FPBM316	FMP1210
16.75 x 3.03 x 2.87	6	FPB36	10.51 x 3.19 x 3.63	FPB26	11.79 x 9.80 x 4.94	20	FPBM320	FMP1210
16.75 x 3.03 x 2.87	7	FPB37	13.19 x 3.03 x 2.87	FPB27	13.53 x 11.55 x 5.94	25	FPBM325	FMP1412

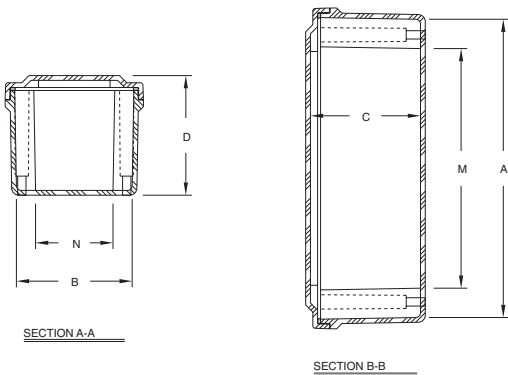
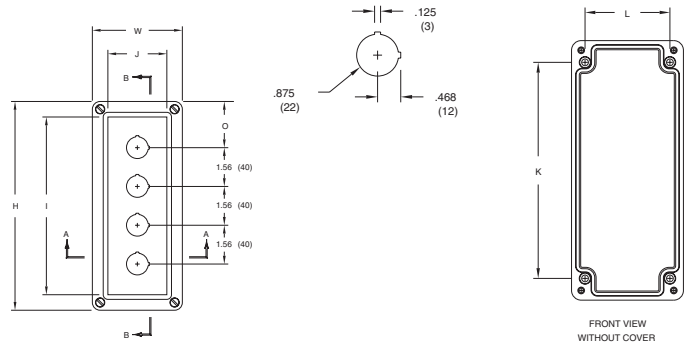
* Available in: Aluminum (SA), Fiberglass (FG), Carbon Steel (CS), and Stainless Steel (SS)
To order, add the suffix to the end of the part number

Pushbutton Series - Dimensional Drawings

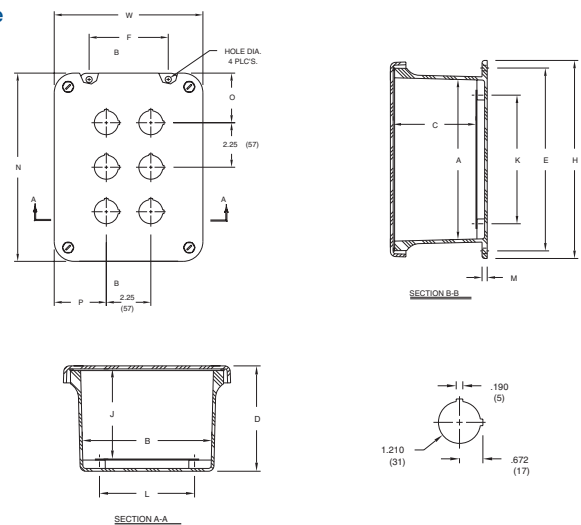
30mm



22mm



Multi-Hole



Pushbutton Series

30mm Pushbutton Series - Configuration Dimensions In Inches (mm)

CATALOG NUMBER	OVERALL H X W X D	INSIDE A X B X C	I	J	K	L	M	N	O	WEIGHT
FPB31	6.63 x 3.81 x 3.89 (168 x 97 x 99)	6.00 x 3.19 x 3.63 (153 x 81 x 92)	5.31 (135)	2.5 (64)	4.88 (124)	2.94 (75)	4.13 (105)	2.19 (56)	3.31 (84)	2 lbs.
FPB32	6.63 x 3.81 x 3.89 (168 x 97 x 99)	6.00 x 3.19 x 3.63 (153 x 81 x 92)	5.31 (135)	2.5 (64)	4.88 (124)	2.94 (75)	4.13 (105)	2.19 (56)	2.19 (56)	2 lbs.
FBP33	8.88 x 3.81 x 3.89 (225 x 97 x 99)	8.26 x 3.19 x 3.63 (210 x 81 x 92)	7.56 (192)	2.5 (64)	7.13 (181)	2.94 (75)	6.38 (162)	2.19 (56)	2.19 (56)	2 lbs.
FPB34	11.13 x 3.81 x 3.89 (283 x 97 x 99)	10.51 x 3.19 x 3.63 (267 x 81 x 92)	9.81 (249)	2.5 (64)	9.37 (238)	2.94 (75)	8.63 (219)	2.19 (56)	2.19 (56)	2 lbs.
FBP35	13.78 x 3.63 x 3.14 (350 x 92 x 80)	13.19 x 3.03 x 2.87 (335 x 77 x 73)	12.53 (318)	2.38 (60)	12.37 (314)	2.75 (70)	11.66 (296)	2.03 (52)	2.39 (61)	2 lbs.
FBP36	17.35 x 3.63 x 3.14 (441 x 92 x 80)	16.75 x 3.03 x 2.87 (426 x 77 x 73)	16.1 (409)	2.38 (60)	15.94 (405)	2.75 (70)	15.22 (387)	2.03 (52)	3.05 (77)	3 lbs.
FBP37	17.35 x 3.63 x 3.14 (441 x 92 x 80)	16.75 x 3.03 x 2.87 (426 x 77 x 73)	16.1 (409)	2.38 (60)	15.94 (405)	2.75 (70)	15.22 (387)	2.03 (52)	1.92 (49)	3 lbs.

22mm Pushbutton Series - Configuration Dimensions In Inches (mm)

CATALOG NUMBER	OVERALL H X W X D	INSIDE A X B X C	I	J	K	L	M	N	O	WEIGHT
FPB21	6.63 x 3.81 x 3.89 (168 x 97 x 99)	6.00 x 3.19 x 3.63 (153 x 81 x 92)	5.31 (135)	2.5 (64)	4.88 (124)	2.94 (75)	4.13 (105)	2.19 (56)	3.31 (84)	2 lbs.
FPB22	6.63 x 3.81 x 3.89 (168 x 97 x 99)	6.00 x 3.19 x 3.63 (153 x 81 x 92)	5.31 (135)	2.5 (64)	4.88 (124)	2.94 (75)	4.13 (105)	2.19 (56)	2.53 (64)	2 lbs.
FPB23	6.63 x 3.81 x 3.89 (168 x 97 x 99)	6.00 x 3.19 x 3.63 (153 x 81 x 92)	5.31 (135)	2.5 (64)	4.88 (124)	2.94 (75)	4.13 (105)	2.19 (56)	1.75 (44)	2 lbs.
FPB24	8.88 x 3.81 x 3.89 (225 x 97 x 99)	8.26 x 3.19 x 3.63 (210 x 81 x 92)	7.56 (192)	2.5 (64)	7.13 (181)	2.94 (75)	6.38 (162)	2.19 (56)	2.09 (53)	2 lbs.
FPB25	11.13 x 3.81 x 3.89 (283 x 97 x 99)	10.51 x 3.19 x 3.63 (267 x 81 x 92)	9.81 (249)	2.5 (64)	9.37 (238)	2.94 (75)	8.63 (219)	2.19 (56)	2.44 (62)	2 lbs.
FPB26	11.13 x 3.81 x 3.89 (283 x 97 x 99)	10.51 x 3.19 x 3.63 (267 x 81 x 92)	9.81 (249)	2.5 (64)	9.37 (238)	2.94 (75)	8.63 (219)	2.19 (56)	1.66 (42)	3 lbs.
FPB27	13.78 x 3.63 x 3.14 (350 x 92 x 80)	13.19 x 3.03 x 2.87 (335 x 77 x 73)	12.53 (318)	2.38 (60)	12.37 (314)	2.75 (70)	11.66 (296)	2.03 (52)	2.20 (56)	3 lbs.

Multi-Hole Pushbutton Series - Configuration Dimensions In Inches (mm)

CATALOG NUMBER	OVERALL H X W X D	INSIDE A X B X C	MOUNTING E X F	J	K	L	M	N	O	P	HOLE DIA.	WEIGHT
FPBM34	7.50 x 7.50 x 4.75 (191 x 191 x 121)	5.72 x 5.72 x 4.45 (145 x 145 x 113)	6.75 x 4 (171 x 101)	4 (101)	4.25 (108)	4.25 (108)	0.25 (6)	7.52 (191)	2.64 (67)	2.64 (67)	0.31 (8)	2.75 lbs.
FPBM36	9.62 x 7.50 x 4.74 (244 x 191 x 121)	7.73 x 5.74 x 4.45 (196 x 146 x 113)	8.88 x 4 (225 x 101)	4 (101)	6.25 (159)	4.25 (108)	0.25 (6)	9.5 (242)	2.64 (67)	2.51 (64)	0.31 (8)	3.5 lbs.
FPBM39	11.62 x 9.41 x 4.25 (295 x 239 x 108)	9.73 x 7.73 x 3.98 (247 x 196 x 101)	10.75 x 6 (273 x 152)	3.5 (89)	8.25 (209)	6.25 (159)	0.25 (6)	11.35 (288)	3.43 (87)	2.45 (62)	0.31 (8)	5 lbs.
FPBM312	11.62 x 9.41 x 4.25 (295 x 239 x 108)	9.73 x 7.73 x 3.98 (247 x 196 x 101)	10.75 x 6 (273 x 152)	3.5 (89)	8.25 (209)	6.25 (159)	0.25 (6)	11.35 (288)	2.3 (58)	2.45 (62)	0.31 (8)	5 lbs.
FPBM316	13.56 x 11.43 x 5.21 (344 x 291 x 132)	11.79 x 9.80 x 4.94 (299 x 249 x 125)	12.75 x 8 (324 x 203)	4.5 (114)	10.25 (260)	8.25 (209)	0.25 (6)	13.41 (341)	3.33 (85)	2.3 (58)	0.31 (8)	6.5 lbs.
FPBM320	13.56 x 11.43 x 5.21 (344 x 291 x 132)	11.79 x 9.80 x 4.94 (299 x 249 x 125)	12.75 x 8 (324 x 203)	4.5 (114)	10.25 (260)	8.25 (209)	0.25 (6)	13.41 (341)	2.2 (56)	2.1 (53)	0.31 (8)	6.5 lbs.
FPBM325	15.50 x 13.50 x 6.25 (394 x 343 x 159)	13.53 x 11.55 x 5.94 (344 x 293 x 151)	14.62 x 10 (371 x 254)	5.37 (137)	12.25 (311)	10.25 (260)	0.25 (6)	15.47 (393)	3.24 (82)	2.25 (57)	0.31 (8)	8.5 lbs.

The Cooper Crouse-Hinds Junction Box Series

offer an extensive selection to the industrial application requiring a vast number of configurations and sizes. The Junction Box Series is available in 12 different sizes, each offering a multitude of durable cover options with features such as stainless steel hinges, padlock covers and windows. These enclosures are made of fiberglass reinforced polyester and have a poured polyurethane seamless gasket that provides a water-tight and dust-tight environmental seal for exceptional corrosion and chemical resistance. The durable Junction Box Series will hold up under the most extreme applications and provide protection and reliability in the most adverse conditions.



Features & Benefits

- Memory retaining continuous polyurethane gasket
- Captive stainless steel cover screws
- Chemical resistant fiberglass reinforced polyester
- Submersible, non-corrosive design
- Water-tight, dust-tight
- Non-conductive, impact resistant, UV resistant
- Material cuts, drills, punches, and saws with ease and accuracy
- Rounded edges, minimal protrusions or exposed pocket areas for assembly of dust and debris
- Smooth surface, no color variations, swirls or color pockets, no voids
- Stainless steel retention chain on screw cover series
- Full-length stainless steel hinges on the hinge cover series

Standard Materials/Finishes

- Hot compression molded fiberglass reinforced thermoset polyester
- Poured polyurethane seamless gasket provides water-tight dust-tight environmental seal
- Captive stainless steel screws
- 304 stainless steel used on all external hardware
- Molded in mounting flange
- Panel mounting capability for fixed rear panel
- Bosses utilize threaded brass inserts accepting 10-32 screws

Certification & Compliances

- UL/cUL 50, Types 1, 3, 4X, 6P, 12
- UL File Number E57656
- CSA Std C22.2 - File 244248 Types 1, 3, 4X, 6P, 12
- NEMA Standard 250 - Types 1, 3, 4X, 6P, 12
- Temperature Range - (-76°F to +250°F) (-60°C to +120°C)
- Flammability Rating - UL94-5V
- Window flammability - UL94V-0
- Non-flame propagating

Junction Box Series

Junction Box Series – Ordering Information



FJS
4 Cover
Screws With
Lift Off Cover

FJHS
2 Cover Screws
With a Hinged
Cover

FJHP
Hinged Cover
With a Padlock
Latch

FJHPW
Hinged Cover
With a Window
& Padlock Latch

FJHSW
2 Cover Screws
With a Hinged Cover
With Window

FJFHPW
Fiberglass Hinged
Cover With
a Window &
Padlock Latch

Mounting
Plate*

Inside
H x W x D

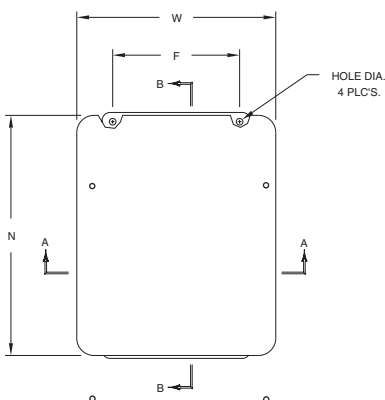
Inside H x W x D	FJS	FJHS	FJHP	FJHPW	FJHSW	FJFHPW	Mounting Plate*
5.84 x 3.85 x 4.45	FJS060404	FJHS060404	FJHP060404	FJHPW060404	FJHSW060404		FMP0604
5.72 x 5.72 x 4.45	FJS060604	FJHS060604	FJHP060604	FJHPW060604	FJHSW060604		FMP0606
7.73 x 5.74 x 4.45	FJS080604	FJHS080604	FJHP080604	FJHPW080604	FJHSW080604	FJFHPW080604	FMP0806
7.73 x 7.73 x 4.82	FJS080804	FJHS080804	FJHP080804	FJHPW080804	FJHSW080804	FJFHPW080804	FMP0808
9.73 x 7.73 x 3.98	FJS100804	FJHS100804†	FJHP100804	FJHPW100804	FJHSW100804	FJFHPW100804	FMP1008
11.79 x 9.80 x 4.94	FJS121005	FJHS121005	FJHP121005	FJHPW121005	FJHSW121005	FJFHPW121005	FMP1210
11.70 x 11.70 x 6.29	FJS121206	FJHS121206	FJHP121206	FJHPW121206	FJHSW121206	FJFHPW121206	FMP1212
14.00 x 7.00 x 6.56	FJS140707	FJHS140707	FJHP140707	FJHPW140707	FJHSW140707	FJFHPW140707	FMP1407
13.53 x 11.55 x 5.94	FJS141206	FJHS141206	FJHP141206	FJHPW141206	FJHSW141206	FJFHPW141206	FMP1412
15.63 x 13.60 x 5.94	FJS161406	FJHS161406	FJHP161406	FJHPW161406	FJHSW161406	FJFHPW161406	FMP1614
17.69 x 15.69 x 8.45	FJS181608‡	FJHS181608‡	FJHP181608‡	FJHPW181608‡	FJHSW181608‡	FJFHPW181608‡	FMP1816‡
19.72 x 15.72 x 8.45	FJS201608‡	FJHS201608‡	FJHP201608‡	FJHPW201608‡	FJHSW201608‡	FJFHPW201608‡	FMP2016‡

* Available in: Aluminum (SA), Fiberglass (FG), Carbon Steel (CS), and Stainless Steel (SS)
To order, add the suffix to the end of the part number

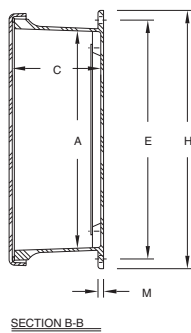
† Available with the deep cover option, please add a "D" to the part number. For example, FJDHS100804

‡ Not available with a 6P rating

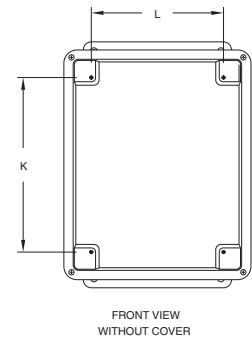
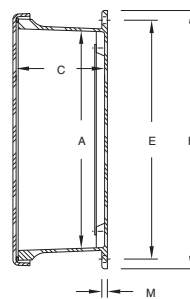
Junction Box Series - Dimensional Drawings



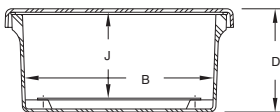
Standard Flat Cover



Deep Cover



FRONT VIEW
WITHOUT COVER



SECTION A-A

Junction Box Series - Configuration Dimensions In Inches (mm)

CATALOG NUMBER	OVERALL H X W X D	INSIDE A X B X C	WINDOW AREA	MOUNTING E X F	J	K	L	M	N	HOLE DIA.	WEIGHT
FJS060404 FJHS060404 FJHP060404 FJHPW060404 FJHSW060404	7.50 x 5.43 x 4.75 (191 x 138 x 121)	5.84 x 3.85 x 4.45 (148 x 98 x 113)	4.25 x 2.25 (108 x 57)	6.75 x 2 (171 x 51)	4 (101)	4.25 (108)	2.25 (57)	0.25 (6)	7.39 (188)	0.31 (8)	2.5 lbs.
FJS060604 FJHS060604 FJHP060604 FJHPW060604 FJHSW060604	7.50 x 7.50 x 4.75 (191 x 191 x 121)	5.72 x 5.72 x 4.45 (145 x 145 x 113)	4.25 x 4.25 (108 x 108)	6.75 x 4 (171 x 101)	4 (101)	4.25 (108)	4.25 (108)	0.25 (6)	7.52 (191)	0.31 (8)	2.75 lbs.
FJS080604 FJHS080604 FJHP080604 FJHPW080604 FJHSW080604 FJFHPW080604	9.62 x 7.50 x 4.74 (244 x 191 x 121)	7.73 x 5.74 x 4.45 (196 x 146 x 113)	6.25 x 4.25 (159 x 108)	8.88 x 4 (225 x 101)	4 (101)	6.25 (159)	4.25 (108)	0.25 (6)	9.5 (242)	0.31 (8)	3.5 lbs.
FJS080804 FJHS080804 FJHP080804 FJHPW080804 FJHSW080804 FJFHPW080804	9.56 x 9.38 x 4.89 (243 x 238 x 124)	7.73 x 7.73 x 4.64 (196 x 196 x 118)	8.75 x 6.00 (222 x 152)	8.75 x 6.00 (222 x 152)	4.06 (103)	6.25 (159)	6.25 (159)	0.25 (6)	9.37 (238)	0.31 (8)	1.71 lbs.
FJS100804 FJHS100804 FJHP100804 FJHPW100804 FJHSW100804 FJFHPW100804	11.62 x 9.41 x 4.25 (295 x 239 x 108)	9.73 x 7.73 x 3.98 (247 x 196 x 101)	8.25 x 6.25 (210 x 159)	10.75 x 6 (273 x 152)	3.5 (89)	8.25 (209)	6.25 (159)	0.25 (6)	11.35 (288)	0.31 (8)	5 lbs.
FJDS100804* FJDHS100804* FJDHP100804* FJDHPW100804* FJDHSW100804* FJDFHPW100804*	11.62 x 9.37 x 5.06 (295 x 238 x 129)	9.73 x 7.73 x 4.83 (247 x 196 x 123)	8.25 x 6.25 (210 x 159)	10.75 x 6 (273 x 152)	4.37 (111)	8.25 (209)	6.25 (159)	0.25 (6)	11.37 (289)	0.31 (8)	5 lbs.
FJS121005 FJHS121005 FJHP121005 FJHPW121005 FJHSW121005 FJFHPW121005	13.56 x 11.43 x 5.21 (344 x 291 x 132)	11.79 x 9.80 x 4.94 (299 x 249 x 125)	10.25 x 8.25 (260 x 210)	12.75 x 8 (324 x 203)	4.5 (114)	10.25 (260)	8.25 (209)	0.25 (6)	13.41 (341)	0.31 (8)	6.5 lbs.
FJS121206 FJHS121206 FJHP121206 FJHPW121206 FJHSW121206 FJFHPW121206	13.56 x 13.38 x 6.36 (344 x 340 x 161)	11.70 x 11.70 x 6.11 (297 x 297 x 155)	12.75 x 10.00 (324 x 254)	12.75 x 10.00 (324 x 254)	5.53 (140)	10.25 (260)	10.25 (260)	0.25 (6)	13.38 (340)	0.31 (8)	3.2 lbs.
FJS140707 FJHS140707 FJHP140707 FJHPW140707 FJHSW140707 FJFHPW140707	15.87 x 8.75 x 6.81 (403 x 222 x 173)	14.00 x 7.00 x 6.56 (356 x 178 x 167)	12.75 x 5.75 (324 x 146)	15 x 5 (381 x 127)	6.12 (156)	12.25 (311)	5.25 (133)	0.25 (6)	15.75 (400)	0.31 (8)	6.25 lbs.
FJS141206 FJHS141206 FJHP141206 FJHPW141206 FJHSW141206 FJFHPW141206	15.50 x 13.50 x 6.25 (394 x 343 x 159)	13.53 x 11.55 x 5.94 (344 x 293 x 151)	12.25 x 10.25 (311 x 260)	14.62 x 10 (371 x 254)	5.37 (137)	12.25 (311)	10.25 (260)	0.25 (6)	15.47 (393)	0.31 (8)	8.5 lbs.
FJS161406 FJHS161406 FJHP161406 FJHPW161406 FJHSW161406 FJFHPW161406	17.53 x 15.46 x 6.23 (445 x 393 x 158)	15.63 x 13.60 x 5.94 (397 x 345 x 151)	14.25 x 12.25 (362 x 311)	16.75 x 12 (425 x 305)	5.36 (136)	14.25 (362)	12.25 (311)	0.25 (6)	17.45 (443)	0.31 (8)	11.5 lbs.
FJS181608 FJHS181608 FJHP181608 FJHPW181608 FJHSW181608 FJFHPW181608	19.62 x 17.61 x 8.82 (498 x 447 x 224)	17.69 x 15.69 x 8.45 (449 x 399 x 215)	16.25 x 14.25 (413 x 362)	18.88 x 12 (479 x 305)	7.99 (203)	16.25 (413)	14.25 (362)	0.25 (6)	19.61 (498)	0.31 (8)	19.25 lbs.
FJS201608 FJHS201608 FJHP201608 FJHPW201608 FJHSW201608 FJFHPW201608	22.00 x 17.68 x 8.83 (559 x 449 x 224)	19.72 x 15.72 x 8.45 (501 x 399 x 215)	18.25 x 14.25 (464 x 362)	21.25 x 10.00 (540 x 254)	8 (203)	18.25 (464)	14.25 (362)	0.25 (6)	21.68 (551)	0.31 (8)	20.25 lbs

*Deep cover – center of cover raised 3/4"

Raised Cover Series

The **Cooper Crouse-Hinds Raised Cover Series** offer a solution for applications requiring an enclosure with a “raised” or “deeper” cover. The deeper cover is suitable for panel mounting and for use as an operator interface in industrial equipment control stations when required. The deeper cover allows every cubic inch of valuable internal enclosure space to be used. These enclosures are made of fiberglass reinforced polyester and have a poured polyurethane seamless gasket that provides a water-tight and dust-tight environmental seal for exceptional corrosion and chemical resistance. The Raised Cover Series will hold up under the most extreme applications and provide protection and reliability in high-end electronics applications, harsh corrosive environments, and industrial applications both indoors and out.



Features & Benefits

- Memory retaining continuous polyurethane gasket
- Molded in mounting flange
- Captive stainless steel cover screws
- Chemical resistant fiberglass reinforced polyester
- Submersible, non-corrosive design
- Water-tight, dust-tight
- Non-conductive, impact resistant, UV resistant
- Material cuts, drills, punches, and saws with ease and accuracy
- Rounded edges, minimal protrusions or exposed pocket areas for assembly of dust and debris
- Smooth surface, no color variations, swirls or color pockets, no voids

Standard Materials/Finishes

- Hot compression molded fiberglass reinforced thermoset polyester
- Poured polyurethane seamless gasket provides water-tight dust-tight environmental seal
- Captive stainless steel screws
- 304 stainless steel used on all external hardware
- Molded in mounting flange
- Panel mounting capability for fixed rear panel
- Bosses utilize threaded brass inserts accepting 10-32 screws

Certification & Compliances

- UL/cUL 50, Types 1, 3, 4X, 6P, 12
- UL File Number E57656
- CSA Std C22.2 - File 244248 Types 1, 3, 4X, 6P, 12
- NEMA Standard 250 - Types 1, 3, 4X, 6P, 12
- Temperature Range - (-76°F to +250°F) (-60°C to +120°C)
- Flammability Rating - UL94-5V
- Non-flame propagating

Raised Cover Series – Ordering Information



FRCJS

FRCJHS

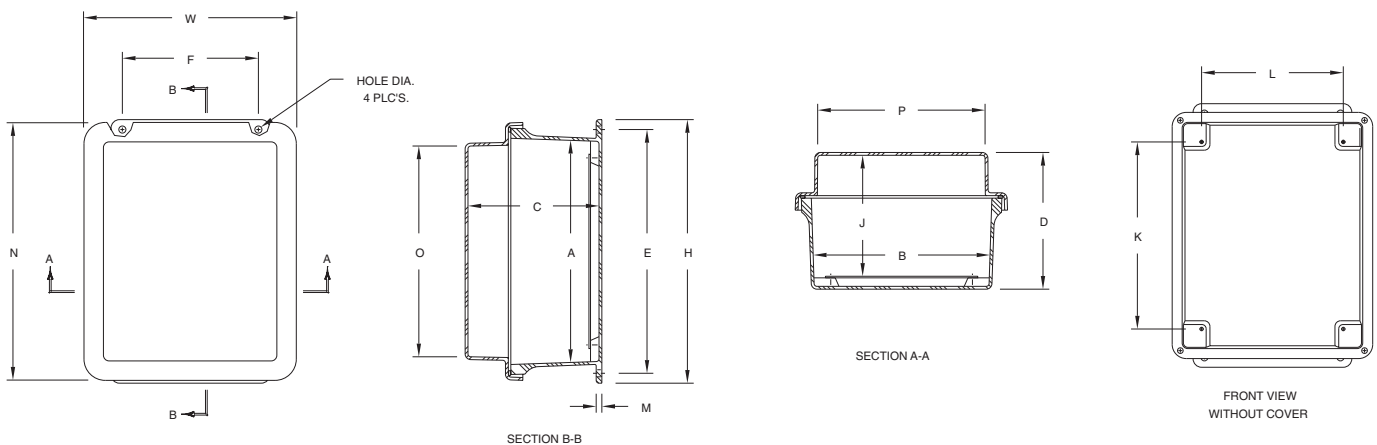
FRCJHP

Mounting Plate*

Inside H x W x D	4 Cover Screws With Lift Off Cover	2 Cover Screws With a Hinged Cover	Hinged Cover With a Padlock Latch	Mounting Plate*
5.84 x 3.85 x 5.95	FRCJS060406	FRCJHS060406	FRCJHP060406	FMP0604
5.72 x 5.72 x 5.95	FRCJS060606	FRCJHS060606	FRCJHP060606	FMP0606
7.73 x 5.74 x 5.95	FRCJS080606	FRCJHS080606	FRCJHP080606	FMP0806
7.73 x 7.73 x 4.82	FRCJS080805	FRCJHS080805	FRCJHP080805	FMP0808
9.73 x 7.73 x 6.36	FRCJS100806	FRCJHS100806	FRCJHP100806	FMP1008
11.79 x 9.80 x 6.32	FRCJS121006	FRCJHS121006	FRCJHP121006	FMP1210
11.70 x 11.70 x 6.29	FRCJS121208	FRCJHS121208	FRCJHP121208	FMP1212
13.53 x 11.55 x 7.45	FRCJS141208	FRCJHS141208	FRCJHP141208	FMP1412
15.63 x 13.60 x 7.45	FRCJS161408	FRCJHS161408	FRCJHP161408	FMP1614
17.69 x 15.69 x 10.31	FRCJS181610	FRCJHS181610	FRCJHP181610	FMP1816
19.72 x 15.72 x 10.33	FRCJS201610	FRCJHS201610	FRCJHP201610	FMP2016

* Available in: Aluminum (SA), Fiberglass (FG), Carbon Steel (CS), and Stainless Steel (SS)
To order, add the suffix to the end of the part number

Raised Cover Series - Dimensional Drawings



Raised Cover Series

Raised Cover Series - Configuration Dimensions In Inches (mm)

CATALOG NUMBER	OVERALL H X W X D	INSIDE A X B X C	MOUNTING E X F	J	K	L	M	N	O	P	HOLE DIA.	WEIGHT
FRCJS060406 FRCJHS060406 FRCJHP060406	7.50 x 5.47 x 6.22 (191 x 139 x 158)	5.84 x 3.85 x 5.95 (148 x 98 x 151)	6.75 x 2 (171 x 51)	5.49 (140)	4.25 (108)	2.25 (57)	0.25 (6)	7.45 (189)	5.31 (135)	3.34 (85)	0.31 (8)	2.5 lbs.
FRCJS060606 FRCJHS060606 FRCJHP060606	7.50 x 7.52 x 6.22 (191 x 191 x 158)	5.72 x 5.72 x 5.95 (145 x 145 x 151)	6.75 x 4 (171 x 101)	5.49 (140)	4.25 (108)	4.25 (108)	0.25 (6)	7.52 (191)	5.34 (136)	5.31 (135)	0.31 (8)	2.75 lbs.
FRCJS080606 FRCJHS080606 FRCJHP080606	9.62 x 7.46 x 6.22 (244 x 190 x 158)	7.73 x 5.74 x 5.95 (196 x 146 x 151)	8.88 x 4 (225 x 101)	5.49 (140)	6.25 (159)	4.25 (108)	0.25 (6)	9.36 (238)	7.25 (185)	5.28 (134)	0.31 (8)	3.5 lbs.
FRCJS080805 FRCJHS080805 FRCJHP080805	9.56 x 9.38 x 6.26 (243 x 238 x 159)	7.73 x 7.73 x 6.01 (196 x 196 x 153)	8.75 x 6.00 (222 x 152)	5.43 (138)	6.25 (159)	6.25 (159)	0.25 (6)	9.37 (238)	7.17 (182)	7.17 (182)	0.31 (8)	4 lbs.
FRCJS100806 FRCJHS100806 FRCJHP100806	11.62 x 9.37 x 6.61 (295 x 238 x 168)	9.73 x 7.73 x 6.36 (247 x 196 x 162)	10.75 x 6 (273 x 152)	5.91 (150)	8.25 (209)	6.25 (159)	0.25 (6)	11.38 (289)	9.3 (236)	7.38 (188)	0.31 (8)	5 lbs.
FRCJS121006 FRCJHS121006 FRCJHP121006	13.56 x 11.43 x 6.61 (344 x 291 x 168)	11.79 x 9.80 x 6.32 (299 x 249 x 161)	12.75 x 8 (324 x 203)	5.87 (149)	10.25 (260)	8.25 (209)	0.25 (6)	13.41 (341)	11.2 (284)	9.23 (234)	0.31 (8)	6.5 lbs.
FRCJS121208 FRCJHS121208 FRCJHP121208	13.56 x 13.38 x 7.73 (344 x 340 x 196)	11.70 x 11.70 x 7.48 (297 x 297 x 190)	12.75 x 10.00 (324 x 254)	6.90 (175)	10.25 (260)	10.25 (260)	0.25 (6)	13.38 (340)	11.17 (284)	11.17 (284)	0.31 (8)	7.4 lbs.
FRCJS141208 FRCJHS141208 FRCJHP141208	15.50 x 13.38 x 7.69 (394 x 340 x 195)	13.53 x 11.55 x 7.45 (344 x 293 x 189)	14.62 x 10 (371 x 254)	6.87 (174)	12.25 (311)	10.25 (260)	0.25 (6)	15.42 (392)	13.2 (335)	11.16 (284)	0.31 (8)	8.5 lbs.
FRCJS161408 FRCJHS161408 FRCJHP161408	17.53 x 15.43 x 7.71 (445 x 392 x 196)	15.63 x 13.60 x 7.45 (397 x 345 x 189)	16.75 x 12 (425 x 305)	6.87 (174)	14.25 (362)	12.25 (311)	0.25 (6)	17.43 (443)	15.2 (386)	13.24 (336)	0.31 (8)	11.5 lbs.
FRCJS181610 FRCJHS181610 FRCJHP181610	19.62 x 17.48 x 10.62 (498 x 444 x 270)	17.69 x 15.69 x 10.31 (449 x 399 x 262)	18.88 x 12 (479 x 305)	9.86 (250)	16.25 (413)	14.25 (362)	0.25 (6)	19.49 (495)	17.25 (438)	15.25 (387)	0.31 (8)	19.25 lbs.
FRCJS201610 FRCJHS201610 FRCJHP201610	22.00 x 17.56 x 10.64 (559 x 446 x 270)	19.72 x 15.72 x 10.33 (501 x 399 x 262)	21.25 x 10.00 (540 x 254)	9.87 (251)	18.25 (464)	14.25 (362)	0.25 (6)	21.56 (548)	19.31 (490)	15.39 (391)	0.31 (8)	20.25 lbs.

The Cooper Crouse-Hinds Xtra Deep Series offer a solution for applications requiring an extra deep enclosure. The deep, durable enclosure has nearly equal capacity in both the cover and the base, giving you ample room for your cover or mounting plate components. The fiberglass reinforced polyester enclosure with flange mount base, stainless steel hardware and poured polyurethane seamless gasket provides exceptional corrosion and chemical resistance in a water-tight and dust-tight environmental seal. The Xtra Deep Series will hold up under the most extreme applications and provide protection and reliability in high-end electronics applications, harsh corrosive environments, and industrial applications both indoors and out.



Features & Benefits

- Memory retaining continuous polyurethane gasket
- Integral mounting flange
- Molded in panel mounting inserts
- Chemical resistant fiberglass reinforced polyester
- Non-corrosive design
- Full length Stainless Steel hinge
- Water-tight, dust-tight
- Non-conductive, impact resistant, UV resistant
- Material cuts, drills, punches, and saws with ease and accuracy
- Rounded edges, minimal protrusions or exposed pocket areas for assembly of dust and debris
- Smooth surface, no color variations, swirls or color pockets, no voids

Standard Materials/Finishes

- Hot compression molded fiberglass reinforced thermoset polyester
- Poured polyurethane seamless gasket provides water-tight dust-tight environmental seal
- 304 stainless steel used on all external hardware
- Molded in mounting flange
- Panel mounting capability for fixed rear panel
- Bosses utilize threaded brass inserts accepting 10-32 screws

Certification & Compliances

- UL/cUL 50, Types 1, 3, 4X, 12
- UL File Number E57656
- CSA Std C22.2 - File 244248 Types 1, 3, 4X, 12
- NEMA Standard 250 - Types 1, 3, 4X, 12
- Temperature Range - (-76°F to +250°F) (-60°C to +120°C)
- Flammability Rating - UL94-5V
- Non-flame propagating

Xtra Deep Series - Ordering Information

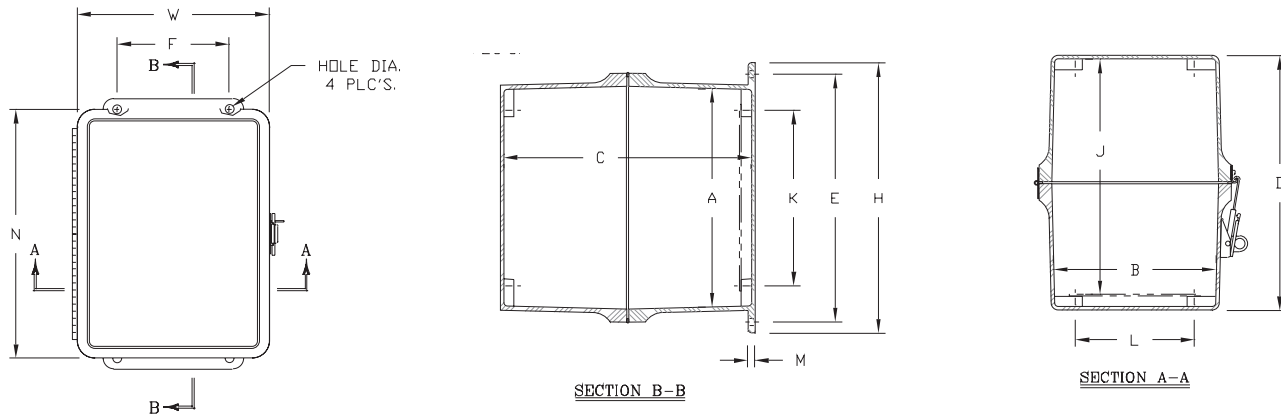


Inside H x W x D	FXDJ Padlockable Twist Latch	Mounting Plate*
5.84 x 3.85 x 8.81	FXDJ060408	FMP0604
5.72 x 5.72 x 8.81	FXDJ060608	FMP0606
7.73 x 5.74 x 8.82	FXDJ080608	FMP0806
7.73 x 7.73 x 9.18	FXDJ080808	FMP0808
9.73 x 7.73 x 7.84	FXDJ100808	FMP1008
11.79 x 9.80 x 9.81	FXDJ121010	FMP1210
11.70 x 11.70 x 12.12	FXDJ121212	FMP1212
13.50 x 11.55 x 11.81	FXDJ141212	FMP1412
15.63 x 13.60 x 11.81	FXDJ161412	FMP1614
17.69 x 15.69 x 16.81	FXDJ181617	FMP1816
19.71 x 15.71 x 16.81	FXDJ201617	FMP2016

* Available in: Aluminum (SA), Fiberglass (FG), Carbon Steel (CS), and Stainless Steel (SS)
To order, add the suffix to the end of the part number

Xtra Deep Series

Xtra Deep Series – Dimensional Drawings



Xtra Deep Series - Configuration Dimensions In Inches (mm)

CATALOG NUMBER	OVERALL H X W X D	INSIDE A X B X C	MOUNTING E X F	J	K	L	M	N	HOLE DIA.	WEIGHT
FXDJ060408	7.50 x 4.94 x 9.07 (190 x 125 x 230)	5.84 x 3.85 x 8.81 (148 x 98 x 224)	6.75 x 2.00 (171 x 51)	8.36 (212)	4.25 (108)	2.25 (57)	0.25 (6)	6.89 (175)	0.31 (8)	3 lbs.
FXDJ060608	7.50 x 6.88 x 9.07 (190 x 175 x 230)	5.72 x 5.72 x 8.81 (145 x 145 x 224)	6.75 x 4.00 (171 x 101)	8.36 (212)	4.25 (108)	4.25 (108)	0.25 (6)	6.89 (175)	0.31 (8)	3 lbs.
FXDJ08608	9.62 x 6.84 x 9.07 (244 x 174 x 230)	7.73 x 5.74 x 8.82 (196 x 146 x 224)	8.88 x 4.00 (225 x 101)	8.37 (213)	6.25 (159)	4.25 (108)	0.25 (6)	8.87 (225)	0.31 (8)	4 lbs.
FXDJ080808	9.56 x 8.84 x 9.43 (243 x 224 x 239)	7.73 x 7.73 x 9.18 (196 x 196 x 233)	8.75 x 6.00 (222 x 152)	8.60 (219)	6.25 (159)	6.25 (159)	0.25 (6)	8.84 (224)	0.31 (8)	5 lbs.
FXDJ100808	11.62 x 8.81 x 8.09 (295 x 224 x 206)	9.73 x 7.73 x 7.84 (247 x 196 x 199)	10.75 x 6.00 (273 x 152)	7.39 (188)	8.25 (209)	6.25 (159)	0.25 (6)	10.86 (276)	0.31 (8)	6 lbs.
FXDJ121010	13.56 x 10.83 x 10.06 (344 x 275 x 256)	11.79 x 9.80 x 9.81 (299 x 249 x 249)	12.75 x 8.00 (324 x 203)	9.36 (238)	10.25 (260)	8.25 (209)	0.25 (6)	12.95 (329)	0.31 (8)	8 lbs.
FXDJ121212	13.56 x 12.84 x 12.37 (344 x 326 x 314)	11.70 x 11.70 x 12.12 (297 x 297 x 308)	12.75 x 10.00 (324 x 254)	11.54 (293)	10.25 (260)	10.25 (260)	0.25 (6)	12.84 (326)	0.31 (8)	9 lbs.
FXDJ141212	15.50 x 12.83 x 12.06 (394 x 326 x 306)	13.50 x 11.55 x 11.81 (343 x 293 x 300)	14.62 x 10.00 (371 x 254)	11.23 (285)	12.25 (311)	10.25 (260)	0.25 (6)	14.88 (378)	0.31 (8)	12 lbs.
FXDJ161412	17.53 x 14.88 x 12.05 (445 x 378 x 306)	15.63 x 13.60 x 11.81 (397 x 345 x 300)	16.75 x 12.00 (425 x 305)	11.23 (285)	14.25 (362)	12.25 (311)	0.25 (6)	16.95 (431)	0.31 (8)	14 lbs.
FXDJ181617	19.62 x 16.91 x 17.19 (498 x 429 x 436)	17.69 x 15.69 x 16.81 (449 x 398 x 427)	18.88 x 12.00 (479 x 305)	16.36 (415)	16.25 (413)	14.25 (362)	0.25 (6)	18.91 (480)	0.31 (8)	22 lbs.
FXDJ201617	22.00 x 17.00 x 17.21 (558 x 431 x 437)	19.71 x 15.71 x 16.81 (501 x 399 x 427)	21.25 x 10.00 (540 x 254)	16.36 (415)	18.25 (464)	14.25 (362)	0.25 (6)	21.00 (533)	0.31 (8)	25 lbs.

The Cooper Crouse-Hinds Advantage Series offer is our most extensive selection of durable industrial non-metallic boxes. Available in a wide range of options, the Advantage Series is available in over 36 various configurations with options such as stainless steel hinges or stainless steel pull latches each with or without clear covers. These enclosures are made of fiberglass reinforced polyester and have a poured polyurethane seamless gasket that provides a water-tight and dust-tight environmental seal for exceptional corrosion and chemical resistance. The resilient Advantage Series will provide high impact resistance in the most extreme conditions and provide protection and reliability in the most adverse applications.



Features & Benefits

- Memory retaining continuous polyurethane gasket
- No penetrating hardware
- Chemical resistant fiberglass reinforced polyester
- Non-corrosive design
- Water-tight, dust-tight
- Non-conductive, impact resistant, UV resistant
- Material cuts, drills, punches, and saws with ease and accuracy
- Rounded edges, minimal protrusions or exposed pocket areas for assembly of dust and debris
- Smooth surface, no color variations, swirls or color pockets, no voids

Standard Materials/Finishes

- Hot compression molded fiberglass reinforced thermoset polyester
- Poured polyurethane seamless gasket provides water-tight dust-tight environmental seal
- 304 stainless steel used on all external hardware
- Panel mounting capability for fixed rear panel
- Bosses utilize threaded brass inserts accepting 10-32 screws

Advantage Series – Ordering Information

Certification & Compliances

- UL/cUL 50, Types 1, 3, 3S, 4X, 12, 13,
- UL File Number E57656
- CSA Std C22.2 - File 244248 Types 1, 3, 3S, 4X, 12, 13
- NEMA Standard 250 - Types 1, 3, 3S, 4X, 12, 13
- Temperature Range - (-76°F to +250°F) (-60°C to +120°C)
- Flammability Rating - UL94-5V
- Non-flame propagating
- IP66

Options

- Mounting Feet kit available for field installation. Order part number FAMTGFTKIT



Inside
H x W x D



FAHS

2 Cover Screws
With a Hinged
Cover



FAHP

Hinged Cover
With a Padlock
Latch



FAHSCC

2 Cover Screws
With a Clear
Hinged Cover



FAHPCC

Hinged Clear
Cover With a
Padlock Latch



FACP

Cover Panel With
Mounting Hardware



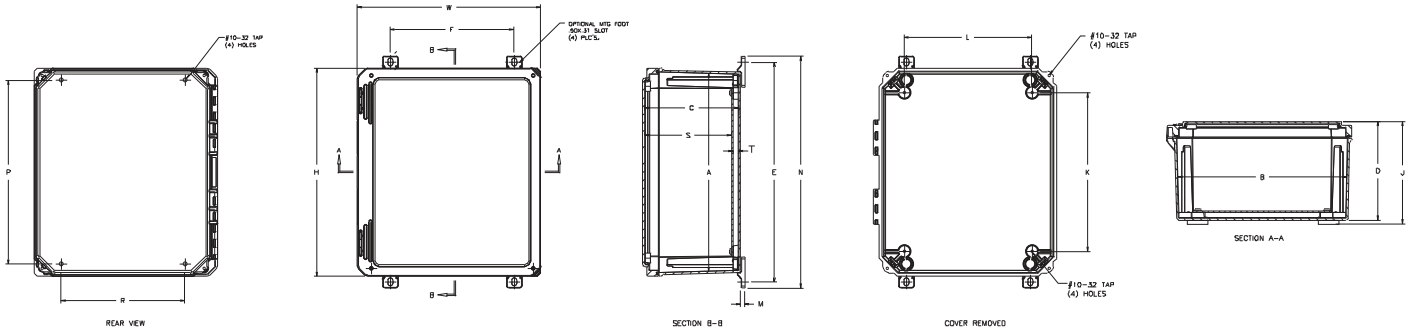
FMP

Mounting
Plate

Inside H x W x D	FAHS 2 Cover Screws With a Hinged Cover	FAHP Hinged Cover With a Padlock Latch	FAHSCC 2 Cover Screws With a Clear Hinged Cover	FAHPCC Hinged Clear Cover With a Padlock Latch	FACP Cover Panel With Mounting Hardware	FMP Mounting Plate
7.41 x 7.79 x 4.31	FAHS060604	FAHP060604	FAHSCC060604	FAHPCC060604	FACP0606SA	FMP0606
9.41 x 7.79 x 4.31	FAHS080604	FAHP080604	FAHSCC080604	FAHPCC080604	FACP0806SA	FMP0806
9.39 x 9.76 x 4.31	FAHS080804	FAHP080804	FAHSCC080804	FAHPCC080804	FACP0808SA	FMP0808
11.42 x 9.79 x 6.31	FAHS100806	FAHP100806	FAHSCC100806	FAHPCC100806	FACP1008SA	FMP1008
13.45 x 11.83 x 6.31	FAHS121006	FAHP121006	FAHSCC121006	FAHPCC121006	FACP1210SA	FMP1210
15.49 x 13.86 x 6.34	FAHS141206	FAHP141206	FAHSCC141206	FAHPCC141206	FACP1412SA	FMP1412
15.49 x 13.86 x 8.34	FAHS141208	FAHP141208	FAHSCC141208	FAHPCC141208	FACP1412SA	FMP1412
17.58 x 15.96 x 8.34	FAHS161408	FAHP161408	FAHSCC161408	FAHPCC161408	FACP1614SA	FMP1614
19.77 x 18.15 x 10.34	FAHS181610	FAHP181610			FACP1816SA	FMP1816
21.79 x 18.16 x 10.34	FAHS201610	FAHP201610			FACP2016SA	FMP2016

Advantage Series

Advantage Series – Dimensional Drawings



Advantage Series - Configuration Dimensions In Inches (mm)

CATALOG NUMBER	OVERALL H x W x D	INSIDE A x B x C	MOUNTING P X R	K	L	S	T	OPT. MOUNTING FEET E X F	N	J	M	WEIGHT
FAHS060604 FAHP060604 FAHSCC060604 FAHPCC060604	7.41 x 7.79 x 4.31 (188.3 x 197.9 x 109.5)	6.77 x 6.77 x 4.06 (171.9 x 171.9 x 103.2)	5.93 x 4.00 (150.6 x 101.6)	4.25 (108)	4.25 (108)	3.60 (91.5)	0.38 (9.6)	8.24 x 4.00 (209.2 x 101.6)	9.02 (229.0)	4.56 (115.8)	0.25 (6.35)	2.5 lbs
FAHS080604 FAHP080604 FAHSCC080604 FAHPCC080604	9.41 x 7.79 x 4.31 (239.1 x 197.9 x 109.5)	8.77 x 6.77 x 4.06 (222.7 x 171.9 x 103.2)	7.91 x 4.00 (200.9 x 101.6)	6.25 (159)	4.25 (108)	3.60 (91.5)	0.38 (9.6)	10.21 x 4.00 (259.3 x 101.6)	10.98 (279.0)	4.56 (115.8)	0.25 (6.35)	3.0 lbs
FAHS080804 FAHP080804 FAHSCC080804 FAHPCC080804	9.39 x 9.76 x 4.31 (238.5 x 248.0 x 109.5)	8.74 x 8.74 x 4.06 (222.1 x 222.1 x 103.2)	7.91 x 6.00 (200.9 x 152.4)	6.25 (159)	6.25 (159)	3.60 (91.5)	0.38 (9.6)	10.21 x 6.00 (259.3 x 152.4)	10.98 (279.0)	4.56 (6.35)	0.25 (115.8)	3.5 lbs
FAHS100806 FAHP100806 FAHSCC100806 FAHPCC100806	11.42 x 9.79 x 6.31 (290.1 x 248.6 x 160.3)	10.73 x 8.73 x 6.06 (272.5 x 221.7 x 153.9)	9.89 x 6.00 (251.2 x 152.4)	8.25 (210)	6.25 (159)	5.60 (142.3)	0.38 (9.6)	12.19 x 6.00 (309.6 x 152.4)	12.96 (329.3)	6.56 (166.6)	0.25 (6.35)	4.5 lbs
FAHS121006 FAHP121006 FAHSCC121006 FAHPCC121006	13.45 x 11.83 x 6.31 (341.6 x 300.5 x 160.3)	12.69 x 10.69 x 6.06 (322.3 x 271.5 x 153.9)	11.88 x 8.00 (301.7 x 203.2)	10.25 (260)	8.25 (210)	5.60 (142.3)	0.38 (9.6)	14.18 x 8.00 (360.2 x 203.2)	14.95 (379.7)	6.56 (166.6)	0.25 (6.35)	6.0 lbs
FAHS141206 FAHP141206 FAHSCC141206 FAHPCC141206	15.49 x 13.86 x 6.34 (393.4 x 352.0 x 161.0)	14.72 x 12.72 x 6.06 (373.9 x 323.1 x 153.9)	13.91 x 10.00 (353.3 x 254.0)	12.25 (311)	10.25 (260)	5.60 (142.3)	0.38 (9.6)	16.21 x 10.00 (411.7 x 254.0)	16.98 (431.4)	6.59 (167.4)	0.25 (6.35)	8.0 lbs
FAHS141208 FAHP141208 FAHSCC141208 FAHPCC141208	15.49 x 13.86 x 8.34 (393.4 x 352.0 x 211.8)	14.66 x 12.66 x 8.06 (372.4 x 321.6 x 204.7)	13.88 x 10.00 (352.5 x 254.0)	12.25 (311)	10.25 (260)	7.60 (193.2)	0.38 (9.6)	16.19 x 10.00 (411.2 x 254.0)	16.96 (430.9)	8.59 (218.2)	0.25 (6.35)	9.5 lbs
FAHS161408 FAHP161408 FAHSCC161408 FAHPCC161408	17.58 x 15.96 x 8.34 (446.6 x 405.4 x 211.8)	16.69 x 14.69 x 8.06 (424.0 x 373.1 x 204.7)	15.96 x 12.00 (405.4 x 304.8)	14.25 (362)	12.25 (311)	7.60 (193.2)	0.38 (9.6)	18.26 x 12.00 (464.0 x 304.8)	19.04 (483.5)	8.59 (218.2)	0.25 (6.35)	11.5 lbs
FAHS181610 FAHP181610	19.77 x 18.15 x 10.34 (502.2 x 461.0 x 262.6)	18.63 x 16.63 x 10.06 (473.2 x 422.4 x 255.5)	17.94 x 14.00 (455.6 x 355.6)	16.25 (413)	14.25 (362)	9.60 (243.9)	0.38 (9.6)	20.24 x 14.00 (514.3 x 355.6)	21.02 (533.8)	10.59 (268.9)	0.25 (6.35)	16.0 lbs
FAHS201610 FAHP201610	21.79 x 18.16 x 10.34 (553.5 x 461.2 x 262.6)	20.63 x 16.63 x 10.06 (524.0 x 422.4 x 255.5)	19.96 x 14.00 (506.9 x 355.6)	18.25 (463)	14.25 (362)	9.59 (243.7)	0.38 (9.6)	22.26 x 14.00 (565.6 x 355.6)	23.04 (585.1)	10.59 (268.9)	0.25 (6.35)	17.5 lbs

The Cooper Crouse-Hinds Wall Mount and Large Fiberglass Enclosure Series offer a solution for applications requiring a large enclosure especially suited for indoor or outdoor use and to provide protection against falling dirt, rain, sleet, snow, and windblown dust. The fiberglass reinforced polyester Wall Mount Series is available in NEMA 3R and 4X configurations and the poured polyurethane seamless gasket provides a water-tight and dust-tight environmental seal for exceptional corrosion and chemical resistance.

Features & Benefits

- Memory retaining continuous polyurethane gasket
- Light weight
- Integral mounting feet
- Molded in panel mounting inserts
- Stainless Steel full length continuous hinge
- Built in padlock hasp
- Chemical resistant fiberglass reinforced polyester
- Water-tight, dust-tight
- Non-conductive, impact resistant, UV resistant
- Rain shield protection against incidental water ingress for NEMA 3R enclosures
- Material cuts, drills, punches, and saws with ease and accuracy
- Rounded edges, minimal protrusions or exposed pocket areas for assembly of dust and debris
- Smooth surface, no color variations, swirls or color pockets, no voids

Standard Materials/Finishes

- Hot compression molded fiberglass reinforced polyester hand layup FRP
- Poured polyurethane seamless gasket provides water-tight dust-tight environmental seal
- 304 stainless steel used on all external hardware
- Bosses utilize threaded brass inserts accepting 10-32 screws



Certification & Compliances

3R Series

- UL/cUL 50, Types 1, 3R
- UL File Number E57656
- CSA Std C22.2 - File 244248 Types 1, 3R
- NEMA Standard 250 - Types 1, 3R
- Temperature Range - (-76°F to +250°F) (-60°C to +120°C)
- Flammability Rating - UL94-5V
- Non-flame propagating

4X Series

- UL/cUL 50, Types 1, 3, 3R, 4X, 12
- UL File Number E57656
- CSA Std C22.2 - File 244248 Types 1, 3, 3R, 4X, 12
- NEMA Standard 250 - Types 1, 3, 3R, 4X, 12
- Temperature Range - (-76°F to +250°F) (-60°C to +120°C)
- Flammability Rating - UL94-5V
- Non-flame propagating

Large Fiberglass

- UL/cUL 50, Types 1, 3, 3R, 4X, 12
- UL File Number E57656
- CSA Std C22.2 - File 244248 Types 1, 3, 3R, 4X, 12
- NEMA Standard 250 - Types 1, 3, 3R, 4X, 12
- IP55 & IP66
- Temperature Range - (-76°F to +250°F) (-60°C to +120°C)
- Flammability Rating - UL94-5V
- Non-flame propagating

Wall Mount & Large Fiberglass Enclosure Series

Wall Mount & Large Fiberglass Enclosure Series – Ordering Information



**NEMA 4X
F4WMSHL**

Inside H x W x D	Stainless Steel Hinged, Latched Down Cover	Mounting Plate*
15.92 x 10.27 x 8.53	F4WMSHL161007	FMPWM1610
19.70 x 16.04 x 13.24	F4WMSHL201612	FMPWM2016
24.00 x 12.87 x 7.33	F4WMSHL241206	FMPWM2412
24.00 x 12.87 x 11.33	F4WMSHL241210	FMPWM2412
24.05 x 20.39 x 9.25	F4WMSHL242008	FMPWM2420
24.05 x 24.39 x 11.25	F4WMSHL242410	FMPWM2424
24.05 x 24.39 x 13.25	F4WMSHL242412	FMPWM2424
29.90 x 20.14 x 7.23	F4WMSHL302006	FMPWM3020
29.90 x 20.14 x 9.23	F4WMSHL302008	FMPWM3020
29.90 x 20.14 x 11.23	F4WMSHL302010	FMPWM3020
29.90 x 20.14 x 13.23	F4WMSHL302012	FMPWM3020
30.46 x 25.47 x 8.12	F4WMSHL302407	FMPWM3024
30.46 x 25.47 x 11.27	F4WMSHL302410	FMPWM3024
30.46 x 25.47 x 13.10	F4WMSHL302412	FMPWM3024
36.31 x 31.69 x 9.36	F4WMSHL363008	FMPWM3630
36.31 x 31.69 x 11.36	F4WMSHL363010	FMPWM3630
36.31 x 31.69 x 13.36	F4WMSHL363012	FMPWM3630



**Large Fiberglass
F4LSHL**

Inside H x W x D	Stainless Steel Hinged, Latched Down Cover	Mounting Plate*
48.33 x 36.22 x 13.25	F4LSHL483612	FMPWM4836
48.33 x 32.22 x 17.25	F4LSHL483616	FMPWM4836
60.62 x 36.13 x 13.44	F4LSHL603612	FMPWM6036
60.62 x 36.13 x 17.44	F4LSHL603616	FMPWM6036
36.12 x 48.12 x 13.00	F4LSHLDD364812	FMPWM3648
72.00 x 25.00 x 25.88	F4LSHLFS722525	FMPWM7225
72.00 x 49.00 x 25.88	F4LSHLFSD724925	FMPWM7249

* Available in: Aluminum (SA), Fiberglass (FG), Carbon Steel (CS), and Stainless Steel (SS)
To order, add the suffix to the end of the part number



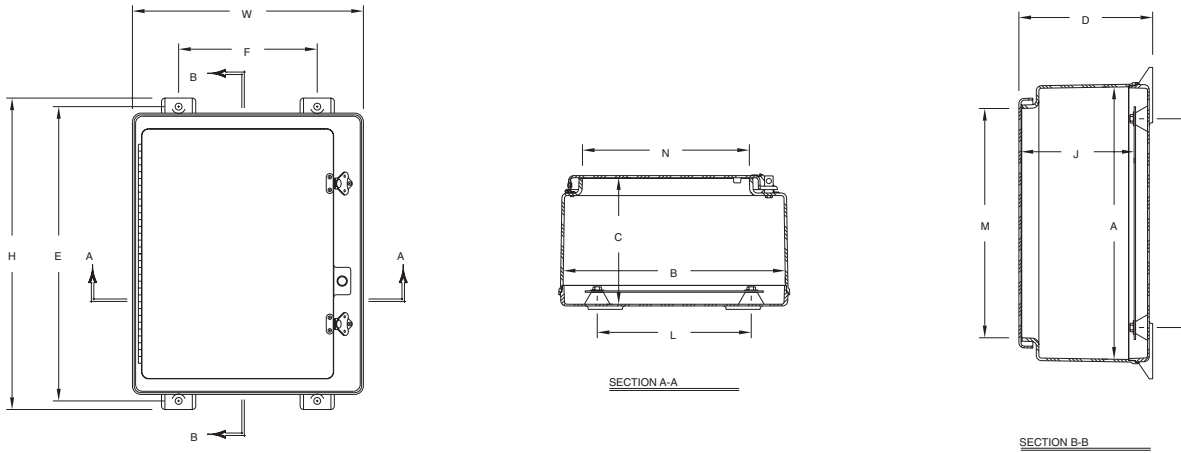
**NEMA 3R
F3WWM**

Inside H x W x D	Stainless Steel Hinged, Latched Down Cover	Mounting Plate*
19.70 x 16.04 x 7.24	F3WMSHL201606	FMPWM2016
24.05 x 24.39 x 11.25	F3WMSHL242410	FMPWM2424
29.90 x 20.14 x 9.23	F3WMSHL302008	FMPWM3020
29.90 x 20.14 x 11.23	F3WMSHL302010	FMPWM3020
30.46 x 25.47 x 11.27	F3WMSHL302410	FMPWM3024
30.46 x 25.47 x 13.10	F3WMSHL302412	FMPWM3024
36.31 x 31.69 x 9.36	F3WMSHL363008	FMPWM3630
36.31 x 31.69 x 11.36	F3WMSHL363010	FMPWM3630
36.31 x 31.69 x 13.36	F3WMSHL363012	FMPWM3630
48.33 x 36.22 x 13.25	F3WMSHL483612	FMPWM4836
48.33 x 32.22 x 17.25	F3WMSHL483616	FMPWM4836

Number of Latches

INSIDE ENCLOSURE DIMENSIONS	3R STAINLESS STEEL HINGE	4X STAINLESS STEEL HINGE
161007	2	2
201606 201612	2	2
241206 241210	2	2
242008	2	4
242410 242412	2	4
302006 302008 302010 302012	2	5
302407 302410 302412	2	5
363008 363010 363012	3	5
483612 483616	3	10

Wall Mount & Large Fiberglass Enclosure Series – Dimensional Drawings



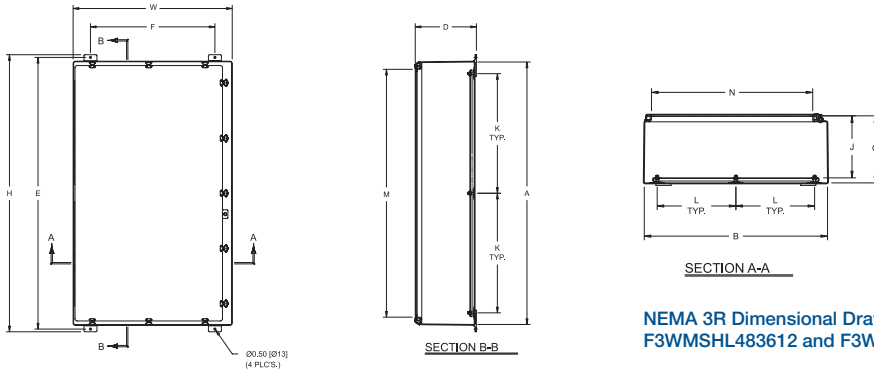
Wall Mount Series - NEMA 4X Configuration Dimensions In Inches (mm)

CATALOG NUMBER	OVERALL H X W X D	INSIDE A X B X C	MOUNTING E X F	J	K	L	ENCLOSURE OPENING M X N	WEIGHT
F4WMSHL161007	18.75 x 10.96 x 9.03 (476 x 278 x 229)	15.92 x 10.27 x 8.53 (404 x 261 x 217)	17.50 x 7.00 (444 x 178)	7.8 (198)	12 (305)	7.5 (191)	13.14 x 6.00 (334 x 152)	12 lbs.
F4WMSHL201612	22.75 x 16.87 x 13.77 (578 x 429 x 350)	19.70 x 16.04 x 13.24 (500 x 407 x 336)	21.50 x 10.12 (546 x 257)	12.26 (312)	15.25 (387)	11.25 (286)	16.75 x 12.19 (425 x 310)	24 lbs.
F4WMSHL241206	26.95 x 13.72 x 7.98 (685 x 348 x 203)	24.00 x 12.87 x 7.33 (610 x 327 x 186)	25.75 x 6.25 (654 x 159)	6.33 (161)	19.25 (489)	7.25 (184)	21.00 x 8.37 (533 x 213)	21 lbs.
F4WMSHL241210	26.95 x 13.72 x 11.99 (685 x 348 x 304)	24.00 x 12.87 x 11.33 (610 x 327 x 288)	25.75 x 6.25 (654 x 159)	10.33 (262)	19.25 (489)	7.25 (184)	21.00 x 8.37 (533 x 213)	25 lbs.
F4WMSHL242008	27.00 x 21.24 x 9.90 (686 x 539 x 252)	24.05 x 20.39 x 9.25 (611 x 518 x 235)	25.75 x 14.00 (654 x 356)	8.25 (209)	19.25 (489)	15.25 (387)	21.25 x 16.00 (540 x 406)	32 lbs.
F4WMSHL242410	27.00 x 25.24 x 11.90 (686 x 641 x 302)	24.05 x 24.39 x 11.25 (611 x 619 x 286)	25.75 x 17.87 (654 x 454)	10.25 (260)	19.25 (489)	19.25 (489)	21.25 x 20.00 (540 x 508)	42 lbs.
F4WMSHL242412	27.00 x 25.24 x 13.90 (686 x 641 x 353)	24.05 x 24.39 x 13.25 (611 x 619 x 336)	25.75 x 17.87 (654 x 454)	12.25 (311)	19.25 (489)	19.25 (489)	21.25 x 20.00 (540 x 508)	43 lbs.
F4WMSHL302006	32.86 x 20.99 x 7.89 (835 x 533 x 200)	29.90 x 20.14 x 7.23 (760 x 511 x 184)	30.75 x 14.25 (806 x 362)	6.23 (158)	25.25 (641)	15.25 (387)	27.00 x 16.50 (686 x 419)	34 lbs.
F4WMSHL302008	32.86 x 20.99 x 9.89 (835 x 533 x 251)	29.90 x 20.14 x 9.23 (760 x 511 x 234)	31.75 x 14.25 (806 x 362)	8.23 (209)	25.25 (641)	15.25 (387)	27.00 x 16.50 (686 x 419)	36 lbs.
F4WMSHL302010	32.86 x 20.99 x 11.89 (835 x 533 x 302)	29.90 x 20.14 x 11.23 (760 x 511 x 285)	31.75 x 14.25 (806 x 362)	10.23 (260)	25.25 (641)	15.25 (387)	27.00 x 16.50 (686 x 419)	39 lbs.
F4WMSHL302012	32.86 x 20.99 x 13.89 (835 x 533 x 353)	29.90 x 20.14 x 13.23 (760 x 511 x 336)	31.75 x 14.25 (806 x 362)	12.23 (311)	25.25 (641)	15.25 (387)	27.00 x 16.50 (686 x 419)	48 lbs.
F4WMSHL302407	33.41 x 26.32 x 8.81 (849 x 668 x 224)	30.46 x 25.47 x 8.12 (774 x 647 x 206)	32.25 x 18.50 (819 x 470)	7.12 (181)	25.25 (641)	19.25 (489)	27.38 x 21.25 (695 x 540)	45 lbs.
F4WMSHL302410	33.41 x 26.32 x 11.95 (849 x 668 x 304)	30.46 x 25.47 x 11.27 (774 x 647 x 286)	32.25 x 18.50 (819 x 470)	10.27 (261)	25.25 (641)	19.25 (489)	27.38 x 21.25 (695 x 540)	50 lbs.
F4WMSHL302412	33.41 x 26.32 x 13.79 (849 x 668 x 350)	30.46 x 25.47 x 13.10 (774 x 647 x 333)	32.25 x 18.50 (819 x 470)	12.1 (307)	25.25 (641)	19.25 (489)	27.38 x 21.25 (695 x 540)	54 lbs.
F4WMSHL363008	39.31 x 32.50 x 10.05 (999 x 826 x 255)	36.31 x 31.69 x 9.36 (922 x 805 x 238)	38.13 x 23.88 (968 x 606)	8.36 (212)	31.25 (794)	25.25 (641)	33.25 x 27.25 (845 x 692)	75 lbs.
F4WMSHL363010	39.31 x 32.50 x 12.05 (999 x 826 x 306)	36.31 x 31.69 x 11.36 (922 x 805 x 289)	38.13 x 23.88 (968 x 606)	10.36 (263)	31.25 (794)	25.25 (641)	33.25 x 27.25 (845 x 692)	78 lbs.
F4WMSHL363012	39.31 x 32.50 x 14.05 (999 x 826 x 357)	36.31 x 31.69 x 13.36 (922 x 805 x 339)	38.13 x 23.88 (968 x 606)	12.36 (314)	31.25 (794)	25.25 (641)	33.25 x 27.25 (845 x 692)	81 lbs.

Wall Mount & Large Fiberglass Enclosure Series

Wall Mount Series/ NEMA 3R Chart reflects the Dimensional Drawings from the previous page

Wall Mount Series - NEMA 3R Configuration Dimensions In Inches (mm)								
CATALOG NUMBER	OVERALL H X W X D	INSIDE A X B X C	MOUNTING E X F	J	K	L	ENCLOSURE OPENING M X N	WEIGHT
F3WMSHL201606	22.75 x 16.87 x 8.27 (578 x 429 x 210)	19.17 x 16.04 x 7.24 (500 x 407 x 184)	21.50 x 10.12 (546 x 257)	6.26 (159)	15.25 (387)	11.25 (286)	16.75 x 12.19 (425 x 310)	17 lbs.
F3WMSHL242410	27.00 x 25.24 x 11.90 (686 x 641 x 302)	24.05 x 24.39 x 11.25 (611 x 619 x 286)	25.75 x 17.87 (654 x 454)	10.25 (260)	19.25 (489)	19.25 (489)	21.25 x 20.00 (540 x 508)	42 lbs.
F3WMSHL302008	32.86 x 20.99 x 9.89 (835 x 533 x 251)	29.90 x 20.14 x 9.23 (760 x 511 x 234)	31.75 x 14.25 (806 x 362)	8.23 (209)	25.25 (641)	15.25 (387)	27.00 x 16.50 (686 x 419)	36 lbs.
F3WMSHL302010	32.86 x 20.99 x 11.89 (835 x 533 x 302)	29.90 x 20.14 x 11.23 (760 x 511 x 285)	31.75 x 14.25 (806 x 362)	10.23 (260)	25.25 (641)	15.25 (387)	27.00 x 16.50 (686 x 419)	39 lbs.
F3WMSHL302410	33.41 x 26.32 x 11.95 (849 x 668 x 304)	30.46 x 25.47 x 11.27 (774 x 647 x 286)	32.25 x 18.50 (819 x 470)	10.27 (261)	25.25 (641)	19.25 (489)	27.38 x 21.25 (695 x 540)	50 lbs.
F3WMSHL302412	33.41 x 26.32 x 13.79 (849 x 668 x 350)	30.46 x 25.47 x 13.10 (774 x 647 x 333)	32.25 x 18.50 (819 x 470)	12.10 (307)	25.25 (641)	19.25 (489)	27.38 x 21.25 (695 x 540)	54 lbs.
F3WMSHL363008	39.31 x 32.50 x 10.05 (999 x 826 x 255)	36.31 x 31.69 x 9.36 (922 x 805 x 238)	38.13 x 23.88 (968 x 606)	8.36 (212)	31.25 (794)	25.25 (641)	33.25 x 27.25 (845 x 692)	75 lbs.
F3WMSHL363010	39.31 x 32.50 x 12.05 (999 x 826 x 306)	36.31 x 31.69 x 11.36 (922 x 805 x 289)	38.13 x 23.88 (968 x 606)	10.36 (263)	31.25 (794)	25.25 (641)	33.25 x 27.25 (845 x 692)	78 lbs.
F3WMSHL363012	39.31 x 32.50 x 14.05 (999 x 826 x 357)	36.31 x 31.69 x 13.36 (922 x 805 x 339)	38.13 x 23.88 (968 x 606)	12.36 (314)	31.25 (794)	25.25 (641)	33.25 x 27.25 (845 x 692)	81 lbs.



NEMA 3R Dimensional Drawing
F3WMSHL483612 and F3WMSHL483616

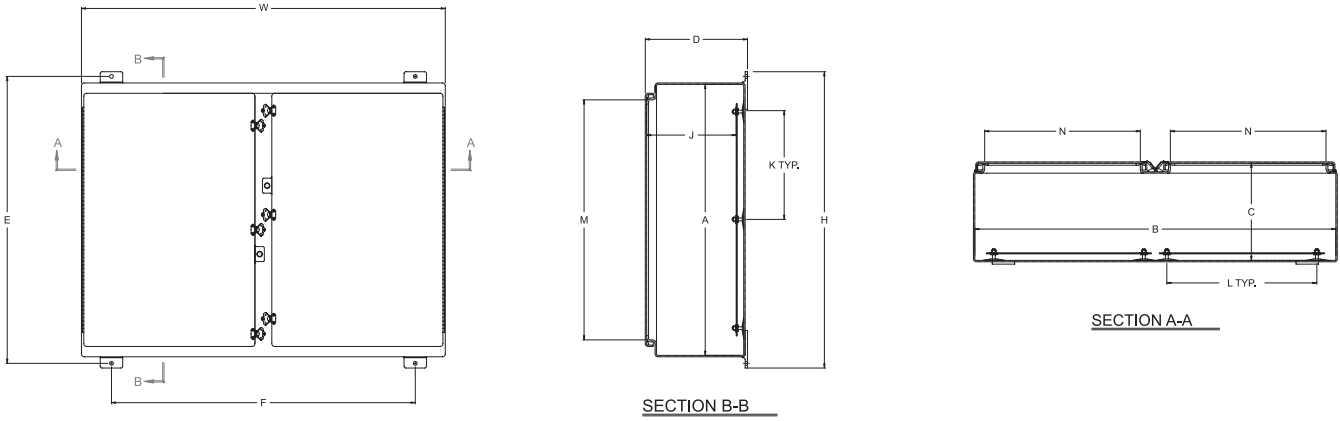
F3WMSHL483612	51.29 x 36.62 x 13.93 (1303 x 930 x 354)	48.33 x 36.22 x 13.25 (1228 x 920 x 336)	50.12 x 28.50 (1273 x 724)	12.25 (311)	21.63 (549)	31.25 (794)	45.25 x 32.00 (1149 x 813)	146 lbs.
F3WMSHL483616	51.29 x 36.62 x 17.93 (1303 x 930 x 456)	48.33 x 32.22 x 17.25 (1228 x 920 x 438)	50.12 x 28.50 (1273 x 724)	16.25 (413)	21.63 (549)	31.25 (794)	45.25 x 32.00 (1149 x 813)	164 lbs.

Large Fiberglass Enclosures Series - Configuration Dimensions In Inches (mm)								
CATALOG NUMBER	OVERALL H X W X D	INSIDE A X B X C	MOUNTING E X F	J	K	L	ENCLOSURE OPENING M X N	WEIGHT
F4LSHL483612*	51.29 x 36.62 x 13.93 (1303 x 930 x 354)	48.33 x 36.22 x 13.25 (1228 x 920 x 336)	50.12 x 28.50 (1273 x 724)	12.25 (311)	21.63 (549)	31.25 (794)	45.25 x 32.00 (1149 x 813)	146 lbs.
F4LSHL483616*	51.29 x 36.62 x 17.93 (1303 x 930 x 456)	48.33 x 32.22 x 17.25 (1228 x 920 x 438)	50.12 x 28.50 (1273 x 724)	16.25 (413)	21.63 (549)	31.25 (794)	45.25 x 32.00 (1149 x 813)	164 lbs.
F4LSHL603612*	64.00 x 36.50 x 14.12 (1627 x 927 x 359)	60.62 x 36.13 x 13.44 (1540 x 918 x 441)	62.75 x 28.75 (1594 x 730)	12.44 (316)	27.63 (702)	31.25 (794)	57.25 x 32.00 (1454 x 813)	177 lbs.
F4LSHL603616*	64.00 x 36.50 x 18.12 (1627 x 927 x 460)	60.62 x 36.13 x 17.44 (1540 x 918 x 443)	62.75 x 28.75 (1594 x 730)	16.44 (418)	27.63 (702)	31.25 (794)	57.25 x 32.00 (1454 x 813)	198 lbs.
F4SHLDD364812	39.50 x 48.50 x 13.62 (1003 x 1232 x 346)	36.12 x 48.12 x 13.00 (917 x 1222 x 330)	38.25 x 40.5 (972 x 1029)	11.94 (303)	14.50 (368)	20.00 (508)	32.00 x 20.75 (813 x 527)	146 lbs.
F4SHLFS722525	72.50 x 25.50 x 26.38 (1841 x 648 x 492)	72.00 x 25.00 x 25.88 (1829 x 635 x 657)		24.88 (632)	15.50 (388)	19.00 (483)	64.75 x 21.00 (1645 x 533)	226 lbs.
F4SHLFSDD-724925	72.50 x 49.50 x 26.38 (1842 x 1257 x 670)	72.00 x 49.00 x 25.88 (1829 x 1245 x 654)		24.88 (628)	15.50 (394)	20.00 (508)	64.75 x 21.00 (1645 x 533)	350 lbs.

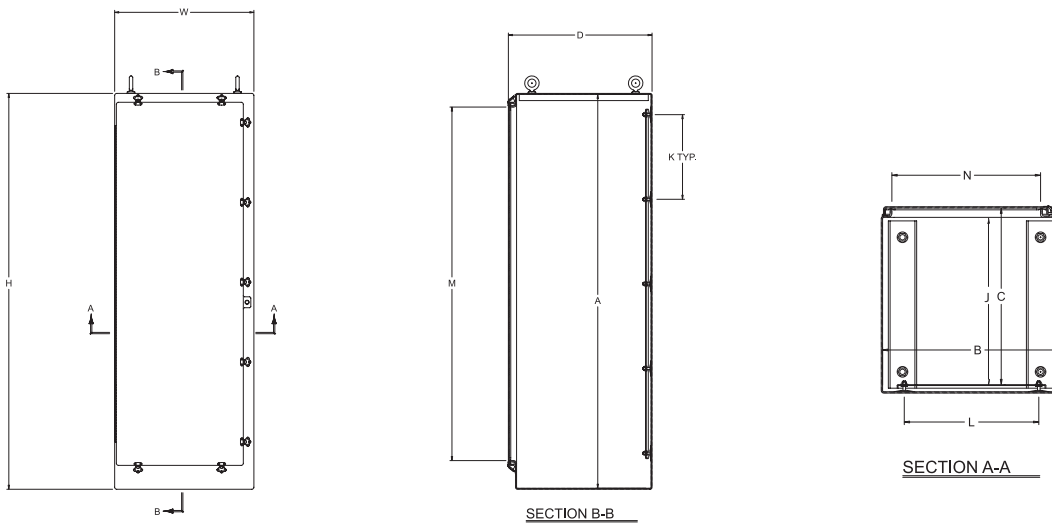
* F4LSHL483612, F4LSHL483616, F4LSHL603612 and F4LSHL603616 reflective of the above chart

Wall Mount & Large Fiberglass Enclosures Series – Dimensional Drawings

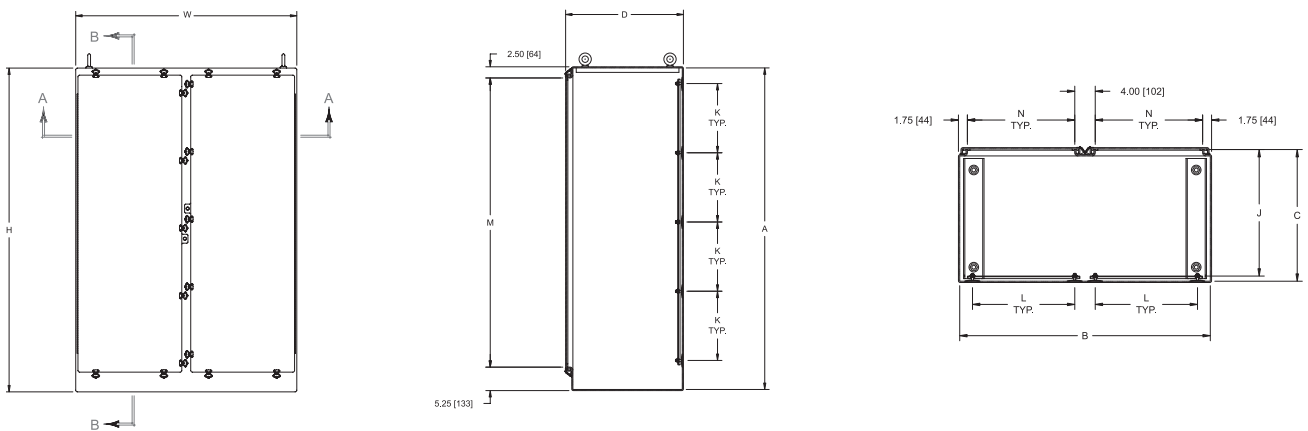
F4LSHDD364812



F4SHLFS722525



F4SHLFSDD724925



Disconnect and Circuit Breaker Series

The Cooper Crouse-Hinds Disconnect and Circuit Breaker Series are used in larger industrial control systems and machine tool control panels where a disconnect is desirable in extreme environmental conditions. This durable NEMA 4X rated enclosure provides protection from falling dirt, rain, sleet, snow, windblown dust, splashing water, and hose-directed water; and will be undamaged by the external formation of ice on the enclosure. The poured polyurethane seamless gasket and fiberglass reinforced polyester enclosure provides exceptional corrosion and chemical resistance in adverse conditions.



Features & Benefits

- Integral mounting feet
- Stainless Steel full length continuous hinge
- Padlockable in off position
- Lightweight
- Memory retaining continuous polyurethane gasket
- Molded in panel mounting inserts
- Chemical resistant fiberglass reinforced polyester
- Non-corrosive design
- Environmentally sealed Type 4X disconnect handle
- Water-tight, dust-tight
- Non-conductive, impact resistant, UV resistant
- Material cuts, drills, punches, and saws with ease and accuracy
- Rounded edges, minimal protrusions or exposed pocket areas for assembly of dust and debris
- Smooth surface, no color variations, swirls or color pockets, no voids

Standard Materials/Finishes

- Hot compression molded fiberglass reinforced thermoset polyester
- Poured polyurethane seamless gasket
- 304 stainless steel used on all external hardware
- Panel mounting capability for fixed rear panel
- Bosses utilize threaded brass inserts

Certification & Compliances

- UL/cUL 50, Types 1, 3, 3R, 4X, 12
- UL File Number E57656
- CSA Std C22.2 - File 244248 Types 1, 3, 3R, 4X, 12
- NEMA Standard 250 - Types 1, 3, 3R, 4X, 12
- Temperature Range - (-76°F to +250°F) (-60°C to +120°C)
- Flammability Rating - UL94-5V
- Non-flame propagating

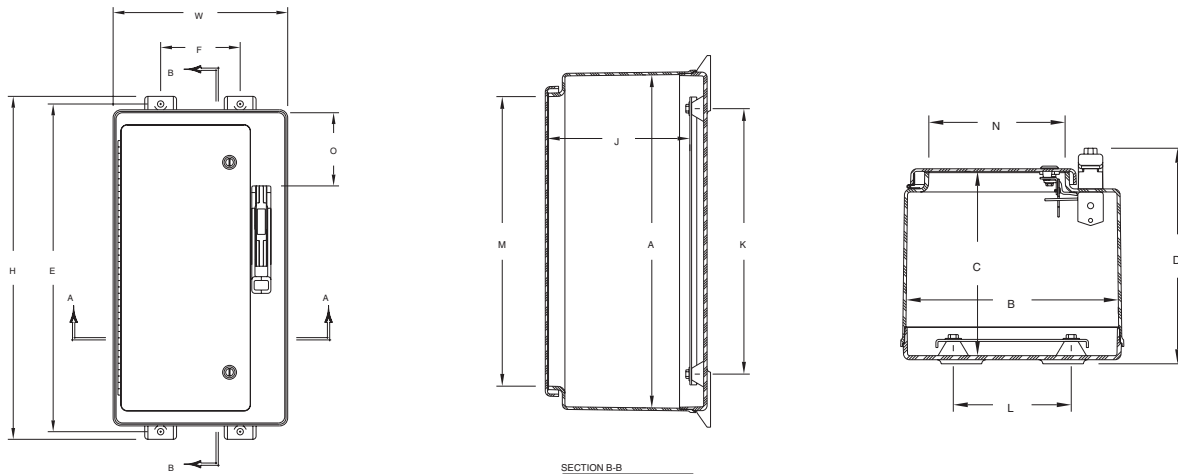
Disconnect & Circuit Breaker Series - Ordering Information



Inside H x W x D	FDC Disconnect	Mounting Plate*
16 x 10 x 8	FDC161008	FMPC1610
20 x 16 x 9	FDC201608	FMPC2016
24 x 12 x 11	FDC241212	FMPC2412
24 x 24 x 11	FDC242412	FMPC2424
30 x 24 x 11	FDC302412	FMPC3024
36 x 30 x 11	FDC363012	FMPC3630

* Available in: Aluminum (SA), Fiberglass (FG), Carbon Steel (CS), and Stainless Steel (SS)
To order, add the suffix to the end of the part number

Disconnect & Circuit Breaker Series – Dimensional Drawings



Disconnect & Circuit Breaker Series - Configuration Dimensions In Inches (mm)

CATALOG NUMBER	OVERALL H X W X D	INSIDE A X B X C	MOUNTING E X F	J	K	L	OPENING ENCLOSURE M X N	O	WEIGHT
FDC161008	18.75 x 10.96 x 10.25 (476 x 278 x 260)	15.92 x 10.27 x 8.53 (404 x 261 x 217)	17.50 x 7.00 (444 x 178)	7.8 (198)	12 (305)	7.5 (191)	13.14 x 6.00 (334 x 152)	3.50 (89)	13 lbs.
FDC201608	22.75 x 16.87 x 11.00 (578 x 429 x 279)	19.70 x 16.04 x 9.24 (500 x 407 x 235)	21.50 x 10.12 (546 x 257)	8.26 (210)	15.25 (387)	11.25 (286)	16.75 x 12.19 (425 x 310)	3.50 (89)	23 lbs.
FDC241212	26.95 x 13.72 x 13.25 (685 x 348 x 337)	24.00 x 12.87 x 11.33 (610 x 327 x 288)	25.75 x 6.25 (654 x 159)	10.33 (262)	19.25 (489)	7.25 (184)	21.00 x 8.37 (533 x 213)	5.75 (146)	26 lbs.
FDC242412	27.00 x 25.24 x 13.19 (686 x 641 x 335)	24.05 x 24.39 x 11.25 (611 x 619 x 286)	25.75 x 17.87 (654 x 454)	10.25 (260)	19.25 (489)	19.25 (489)	21.25 x 20.00 (540 x 508)	5.75 (146)	40 lbs.
FDC302412	33.41 x 26.32 x 13.19 (849 x 668 x 335)	30.46 x 25.47 x 11.27 (774 x 647 x 286)	32.25 x 18.50 (819 x 470)	10.27 (261)	25.25 (641)	19.25 (489)	27.38 x 21.25 (695 x 540)	12.25 (311)	51 lbs.
FDC363012	39.31 x 32.50 x 13.31 (999 x 826 x 338)	36.31 x 31.69 x 11.36 (922 x 805 x 289)	38.13 x 23.88 (968 x 606)	10.36 (263)	31.25 (794)	25.25 (641)	33.25 x 27.5 (845 x 692)	12.25 (311)	79 lbs.

*Disconnect, fuse block, breaker, yoke, switches, or other internal components are not furnished with enclosure.

Cooper-Crouse Hinds Fiberglass Enclosure Accessories

Drain & Breather Vent



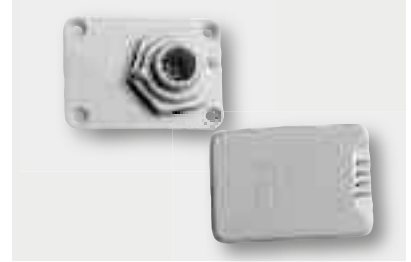
CHDV - Drain Vent



CHDVKIT - Drain Vent Kit



CHDVKIT4X - Drain Vent Kit 4X



CHBVKIT4X - Breather Vent Kit 4X

Encapsulated Screws



CHENCAP2PK
CHENCAP4PK

Louver Plate Vent



CHLP1
CHLPKIT

Carrying Handle



CHHANDLE

Stainless Steel Screws



CHSS2PK
CHSS4PK

Corrosion Inhibitor



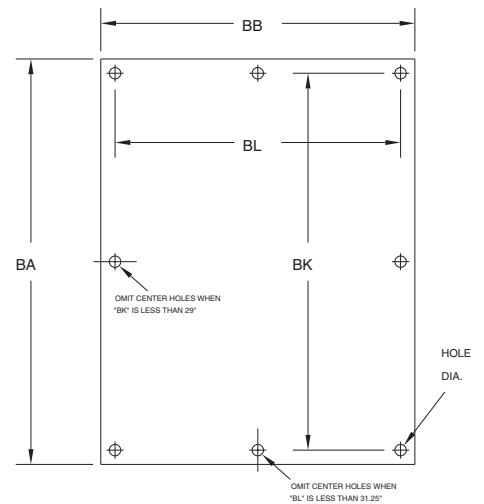
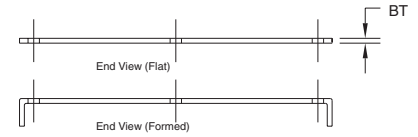
CHCI21
Radius of Protection: 2 ft.
Normal Life Span: 1 yr.

Fiberglass Hole Plug Assembly



CATALOG NUMBER	FITS	HOLE DIA. RANGE	CATALOG NUMBER	FITS	HOLE DIA. RANGE
FPLG1KIT	1/2" Dia. Hole	.50" - .56"	FPLG4KIT	1 1/2" Conduit	2.00" - 2.12"
	5/8" Dia. Hole	.63" - .69"		2" Conduit	2.50" - 2.56"
	3/4" Dia. Hole	.75" - .81"	FPLG5KIT	2 1/2" Conduit	3.00"
FPLG2KIT	22mm PB,	.88" - 1.00"	FPLG6KIT	3" Conduit	3.62"
	1/2" Conduit	1.06" - 1.12"	FPLG7KIT	3 1/2" Conduit	4.12"
	3/4" Conduit	1.22" - 1.28"		FPLG8KIT	4" Conduit
FPLG3KIT	1" Conduit	1.38" - 1.50"			
	1 1/4" Conduit	1.69" - 1.75"			

Fiberglass Enclosure Mounting Plate Options



Aluminum (SA)
Back Panels
Grade Aluminum
3003 H14 - No Finish

Stainless Steel (SS)
Back Panels
Stainless Steel
Grade 304

Fiberglass (FG)
Back Panels
All FG Back Panels
UL 94 V-0 Rated

Carbon Steel (CS)
Back Panels
Carbon Steel
Grade 1010 HRS - Painted White Enamel

Mounting Plates for Disconnect & Circuit Breaker Dimensions

CS

Only Available in Carbon Steel (CS)	BA	BB	BK	BL	Panel Thickness BT	Panel Type	Hole Dia.	# of Holes	Weight (Carbon Steel) Suffix: CS	Fits Typical Enclosure Size
FMPC1610	13.00 (330)	8.50 (216)	12.00 (305)	7.50 (191)	0.08 (2)	Flat	0.31 (8)	4	3.3 lbs.	16 x 10 Disconnect enclosure
FMPC2016	16.88 (429)	13.38 (340)	15.25 (387)	11.25 (286)	0.13 (2)	Formed	0.31 (8)	4	7.3 lbs.	20 x 16 Disconnect enclosure
FMPC2412	20.88 (530)	9.38 (238)	19.25 (489)	7.25 (184)	0.13 (2)	Formed	0.50 (13)	4	6.5 lbs.	24 x 12 Disconnect enclosure
FMPC2424	20.88 (530)	21.38 (543)	19.25 (489)	19.25 (489)	0.13 (2)	Formed	0.50 (13)	4	14 lbs.	24 x 24 Disconnect enclosure
FMPC3024	26.88 (683)	21.38 (543)	25.25 (641)	19.25 (489)	0.13 (2)	Formed	0.50 (13)	4	19 lbs.	30 x 24 Disconnect enclosure
FMPC3630	32.88 (835)	27.38 (695)	31.25 (794)	25.25 (641)	0.13 (2)	Formed	0.50 (13)	5	27 lbs.	36 x 30 Disconnect enclosure

Cooper-Crouse Hinds Fiberglass Enclosure Accessories

Mounting Plates for the NEMA 3R, NEMA 4X & Large Fiberglass Enclosure Dimensions

CATALOG NUMBER	BA	BB	BK	BL	BT (SA)	BT (CS)	PANEL TYPE	HOLE DIA.	# OF HOLES	Weight (Aluminum) Suffix: SA	Weight (Carbon Steel) Suffix: CS
FMPWM1610SA FMPWM1610CS	13.00 (330)	8.50 (216)	12.00 (305)	7.50 (191)	0.090 (2)	0.105 (3)	Flat	0.31 (8)	4	1 lb	3.3 lbs
FMPWM2016SA FMPWM2016CS	17.00 (432)	13.00 (330)	15.25 (387)	11.25 (286)	0.090 (2)	0.105 (3)	Flat	0.50 (13)	4	2 lbs	6.7 lbs
FMPWM2412SA FMPWM2412CS	21.00 (533)	9.00 (229)	19.25 (489)	7.25 (184)	0.090 (2)	0.105 (3)	Flat	0.50 (13)	4	4.5 lbs	8.7 lbs
FMPWM2420SA FMPWM2420CS	21.00 (533)	17.00 (432)	19.25 (489)	15.25 (387)	0.13 (3)	0.105 (3)	Flat	0.50 (13)	4	5 lbs	10.8 lbs
FMPWM2424SA FMPWM2424CS	21.00 (533)	21.00 (533)	19.25 (489)	19.25 (489)	0.13 (3)	0.105 (3)	Flat	0.50 (13)	4	5.5 lbs	13.4 lbs
FMPWM3020SA FMPWM3020CS	27.00 (686)	17.00 (432)	25.25 (641)	15.25 (387)	0.13 (3)	0.105 (3)	Flat	0.50 (13)	4	5.8 lbs	14 lbs
FMPWM3024SA FMPWM3024CS	27.00 (686)	21.00 (533)	25.25 (641)	19.25 (489)	0.13 (3)	0.105 (3)	Flat	0.50 (13)	4	7 lbs	17 lbs
FMPWM3630SA FMPWM3630CS	33.00 (838)	27.00 (686)	31.25 (794)	25.25 (641)	0.13 (3)	0.105 (3)	Flat	0.50 (13)	4	11 lbs	27 lbs
FMPWM3636SA FMPWM3636CS	31.00 (787)	33.00 (838)	29.00 (737)	31.00 (787)	0.13 (3)	0.105 (3)	Formed	0.50 (13)	6	13 lbs	33 lbs
FMPWM3648SA FMPWM3648CS	31.00 (787)	22.00 (559)	29.00 (737)	20.00 (508)	0.13 (3)	0.105 (3)	Flat	0.50 (13)	8	22 lbs	41 lbs
FMPWM4836SA FMPWM4836CS	45.00 (1143)	33.00 (838)	43.25 (1099)	31.25 (794)	0.13 (3)	0.105 (3)	Formed	0.50 (13)	8	22 lbs	47 lbs
FMPWM6036SA FMPWM6036CS	57.00 (1448)	33.00 (838)	55.25 (1403)	31.25 (794)	0.13 (3)	0.105 (3)	Formed	0.50 (13)	8	23 lbs	60 lbs
FMPWM7225SA FMPWM7225CS	64.00 (1626)	21.00 (533)	62.00 (1575)	19.00 (483)	0.13 (3)	0.105 (3)	Formed	0.50 (13)	10	30 lbs	43 lbs
FMPWM7249SA FMPWM7249CS	64.00 (1626)	22.00 (559)	62.00 (1575)	20.00 (508)	0.13 (3)	0.105 (3)	Formed	0.50 (13)	10	38 lbs	91 lbs

Mounting Plates for the FSJ, FPB, FJ, FRCJ, FXDJ, FA Series Enclosures

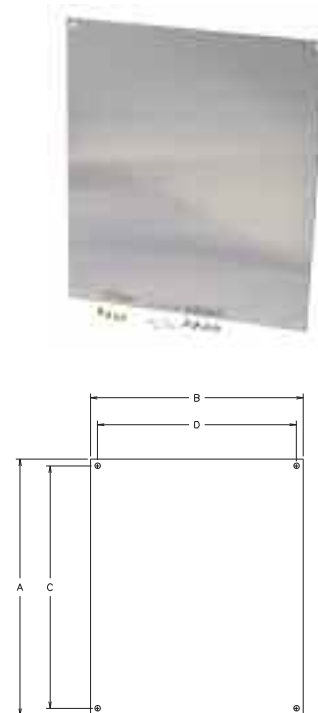
CATALOG NUMBER	BA	BB	BK	BL	BT (SA)	BT (FG)	BT (SS)	BT (CS)	PANEL TYPE	HOLE DIA.	# OF HOLES	Weight (Aluminum) Suffix: SA	Weight (Fiberglass) Suffix: FG	Weight (Stainless) Suffix: SS	Weight (Carbon Steel) Suffix: CS
FMP0604SA FMP0604FG FMP0604SS FMP0604CS	4.88 (124)	2.88 (73)	4.25 (108)	2.25 (57)	0.080 (2)	0.125 (3)	0.060 (2)	0.075 (2)	Flat	0.25 (6)	4	2 oz.	2 oz.	5 oz.	5 oz.
FMP0606SA FMP0606FG FMP0606SS FMP0606CS	4.88 (124)	4.88 (124)	4.25 (108)	4.25 (108)	0.080 (2)	0.125 (3)	0.060 (2)	0.075 (2)	Flat	0.25 (6)	4	3 oz.	3 oz.	8 oz.	8 oz.
FMP0706SA FMP0706FG FMP0706SS FMP0706CS	6 (152)	4.88 (124)	5.38 (137)	4.25 (108)	0.080 (2)	0.125 (3)	0.060 (2)	0.075 (2)	Flat	0.25 (6)	4	4 oz.	n/a	n/a	10 oz.
FMP0806SA FMP0806FG FMP0806SS FMP0806CS	6.88 (175)	4.88 (124)	6.25 (159)	4.25 (108)	0.080 (2)	0.125 (3)	0.060 (2)	0.075 (2)	Flat	0.25 (6)	4	4 oz.	4 oz.	12 oz.	12 oz.
FMP0808SA FMP0808FG FMP0808SS FMP0808CS	6.88 (175)	6.88 (175)	6.25 (159)	6.25 (159)	0.080 (2)	0.125 (3)	0.060 (2)	0.075 (2)	Flat	0.25 (6)	4	5 oz.	5 oz.	15 oz.	15 oz.
FMP0906SA FMP0906FG FMP0906SS FMP0906CS	8.25 (210)	4.88 (124)	7.63 (194)	4.25 (108)	0.080 (2)	0.125 (3)	0.060 (2)	0.075 (2)	Flat	0.25 (6)	4	5 oz.	n/a	n/a	14 oz.
FMP1008SA FMP1008FG FMP1008SS FMP1008CS	8.88 (225)	6.88 (175)	8.25 (210)	6.25 (159)	0.080 (2)	0.125 (3)	0.060 (2)	0.075 (2)	Flat	0.25 (6)	4	8 oz.	8 oz.	19 oz.	21 oz.
FMP1210SA FMP1210FG FMP1210SS FMP1210CS	10.88 (276)	8.88 (225)	10.25 (260)	8.25 (210)	0.080 (2)	0.125 (3)	0.060 (2)	0.075 (2)	Flat	0.25 (6)	4	12 oz.	14 oz.	30 oz.	33 oz.
FMP1212SA FMP1212FG FMP1212SS FMP1212CS	10.88 (276)	10.88 (276)	10.25 (260)	10.25 (260)	0.080 (2)	0.125 (3)	0.060 (2)	0.075 (2)	Flat	0.25 (6)	4	16 oz.	18 oz.	37 oz.	38 oz.
FMP1407SA FMP1407FG FMP1407SS FMP1407CS	12.88 (327)	5.88 (149)	12.25 (311)	5.25 (133)	0.080 (2)	0.125 (3)	0.060 (2)	0.075 (2)	Flat	0.25 (6)	4	14 oz.	14 oz.	32 oz.	34 oz.
FMP1412SA FMP1412FG FMP1412SS FMP1412CS	12.88 (327)	10.88 (276)	12.25 (311)	10.25 (260)	0.080 (2)	0.125 (3)	0.060 (2)	0.075 (2)	Flat	0.25 (6)	4	18 oz.	20 oz.	45 oz.	48 oz.
FMP1614SA FMP1614FG FMP1614SS FMP1614CS	14.88 (378)	12.88 (327)	14.25 (362)	12.25 (311)	0.080 (2)	0.125 (3)	0.060 (2)	0.075 (2)	Flat	0.25 (6)	4	24 oz.	23 oz.	60 oz.	66 oz.
FMP1816SA FMP1816FG FMP1816SS FMP1816CS	16.88 (429)	14.88 (378)	16.25 (413)	14.25 (362)	0.080 (2)	0.125 (3)	0.060 (2)	0.075 (2)	Flat	0.25 (6)	4	31 oz.	32 oz.	88 oz.	87 oz.
FMP2016SA FMP2016FG FMP2016SS FMP2016CS	18.88 (479)	14.88 (378)	18.25 (463)	14.25 (362)	0.080 (2)	0.125 (3)	0.060 (2)	0.075 (2)	Flat	0.25 (6)	4	36 oz.	34 oz.	98 oz.	97 oz.

Cooper-Crouse Hinds Fiberglass Enclosure Accessories

Cover Panel Dimensions

PART NUMBER	A	B	C	D	PANEL THK.	PANEL TYPE	HOLE DIA.	# OF HOLES
FACP0606SA	5.64 (143)	5.64 (143)	5.02 (127)	5.02 (127)	0.080 (2)	Flat	0.25 (6)	4
FACP0806SA	7.68 (195)	5.64 (143)	7.05 (179)	5.02 (127)	0.080 (2)	Flat	0.25 (6)	4
FACP0808SA	7.68 (195)	7.68 (195)	7.05 (179)	7.05 (179)	0.080 (2)	Flat	0.25 (6)	4
FACP1008SA	9.71 (247)	7.71 (196)	9.08 (231)	7.08 (180)	0.080 (2)	Flat	0.25 (6)	4
FACP1210SA	11.74 (298)	9.74 (247)	11.12 (282)	9.12 (232)	0.080 (2)	Flat	0.25 (6)	4
FACP1412SA	13.78 (350)	11.78 (299)	13.15 (334)	11.15 (283)	0.080 (2)	Flat	0.25 (6)	4
FACP1614SA	15.81 (402)	13.81 (351)	15.18 (386)	13.18 (334)	0.080 (2)	Flat	0.25 (6)	4
FACP1816SA	17.94 (456)	15.94 (405)	17.31 (440)	15.31 (389)	0.080 (2)	Flat	0.25 (6)	4
FACP2016SA	19.76 (502)	15.76 (400)	19.13 (486)	15.13 (384)	0.080 (2)	Flat	0.25 (6)	4

Note: Cover panel kit includes cover panel and mounting hardware.



Krydon® Series

Cooper Crouse-Hinds has a full line of Krydon material enclosures. Krydon is the trade name for the Cooper Crouse-Hinds proprietary formulation of fiberglass reinforced polyester. It is specifically formulated for electrical products intended for use in the harshest corrosive environments. Krydon material has proven itself superior to other materials used in corrosive environments.

These Krydon material enclosures have high impact strength, are fire retardant/heat resistant and withstand weathering. Most enclosures have a Class I, Division 2 rating, and are water-tight, dust-tight and weatherproof - even over extended periods of time.

Krydon Enclosures are available in the following product groups:

- Control Stations
- Alarm Stations
- Combination Line Starters
- Manual Motor Starters and Switches
- Manual Line Starters
- Magnetic Line Starters
- Circuit Breakers and Enclosures
- Panelboards
- Disconnect Switches
- Enclosed Heavy Duty Switches
- Junction Boxes
- Instrument Enclosures

Sizes range from: 3 x 3 through 26 x 24

See the Cooper Crouse-Hinds catalog for more information on Krydon material enclosures



Leading the way in Custom Manufacturing Services

For more than 110 years, Cooper Crouse-Hinds has exceeded customer expectations when it comes to new ideas, technological advancements, and our commitment to **ESP (Enhancing Safety and Productivity)**.

Today, we make well over 100,000 electrical products for abusive, hazardous and corrosive environments. However, rarely a day goes by that our customers don't run across an application that requires a custom solution. In these cases we turn to our **Industrial Controls & Instruments Service Centers**.

Enhanced solutions through local assembly and fast delivery of custom engineered electrical products.

- Products designed for industrial and corrosive applications giving you more protection, efficiency, functionality, reliability and control of your operation.
- Full drafting capabilities to produce custom drawings for approval and as-built drawings for all our products.
- In-house control and instrumentation expertise - Not sure what product best suits your application? Our technical experts will help you come up with a solution that fits your exact needs.
- Lead time reductions - Manufactured in your region of the country to get you the products you need faster.

Custom Modification Offering

Please consult the factory for a quotation on the following custom modifications that we are pleased to offer to help meet the needs of our customers:

- Custom molded colors
- Gasketed windows for the FJ, FRC and the Wall Mount Series
- Custom sizes
- Special hole patterns for drilling & tapping configurations
- Dead front & sub panels
- Silk screening capabilities
- Terminal kits and din rails available



Gasketed Window
FJ, FRC & Wall Mount Series

Custom Built Solutions for Fast Delivery

Custom Built Lighting & Power Panelboards

Motor control, power distribution products and custom control panels designed and built to our customers' unique needs and delivered when they are required.

Overview:

Fiberglass panelboards rated for outdoor NEMA 3R and 4X environments.

Ratings:

120/208V 3 Phase, 4 Wire

QOB[®] circuit breakers, single or two-pole 120/240 VAC; three-pole 240 VAC

Trip ratings:

10 to 70 amps, single-pole

10 to 125 amps, two-pole

10 to 100 amps, three-pole

480Y/277V 3 Phase, 4 Wire

EDB[®] circuit breakers, single or two-pole 277 VAC; three-pole 480Y/277 VAC

Trip ratings:

15 to 70 amps, single-pole

15 to 125 amps, two-pole

15 to 125 amps, three-pole



Certifications

- NEMA 1, 3, 3R, 4X and 12
- UL Standard: 67
- CSA Standard: C22.2

Ordering Information

VOLTAGE	AMPS	MAIN LUG MAIN/CB	BREAKER SPACES	CATALOG NUMBER*	DIMENSIONS
120/208V 3p,4w	100 A	MLO	30 circuits	FLP2-100L-30-X	30 x 20 x 8
120/208V 3p,4w	100 A	MCB	30 circuits	FLP2-100M-30-X	30 x 20 x 8
120/208V 3p,4w	225 A	MLO	42 circuits	FLP2-225L-42-X	36 x 30 x 8
120/208V 3p,4w	225 A	MCB	42 circuits	FLP2-225M-42-X	48 x 36 x 12
277/480V 3p,4w	125 A	MLO	30 circuits	FLP4-100L-30-X	30 x 20 x 8
277/480V 3p,4w	125 A	MCB	30 circuits	FLP4-100M-30-X	36 x 30 x 8
277/480V 3p,4w	250 A	MLO	42 circuits	FLP4-250L-42-X	48 x 36 x 12
277/480V 3p,4w	250 A	MCB	30 circuits	FLP4-250M-30-X	48 x 36 x 12

* "X" denotes the need to provide the individual branch breaker quantity, amperage, and number of poles. Email your part number and breaker requirements to fiberglassenclosures@cooperindustries.com or contact your local CC-H representative.

All panel interiors have a standard copper bus and ground bar; filler plates provided over unused spaces

Panelboards available up to 800 Amp MLO or MCB – delivery based on configuration of panel

Custom Built Heavy Duty Disconnects (Circuit Breaker, Fusible and Non-Fusible)

Applications:

Fiberglass Heavy Duty Disconnects are for use in disconnecting motor, lighting and other circuits.

Electrical Ratings Ranges:

- 3-pole, 60Hz, 600 VAC
- Starters - NEMA sizes 0, 1, 2
- Breakers - 15 - 800 Amp Rating
- Switches - 30, 60, 100, 200 Amp

Certifications

- NEMA/EEMAC: 1, 3, 3R, 4X and 12
- UL Standard: 508
- CSA Standard: C22.2



Ordering Information

DISCONNECTS	CATALOG NUMBER	HP RATINGS		DIMENSIONS
		Std	Max	
Fusible				
30	FFSS-30	5	15	16 x 10 x 8
60	FFSS-60	15	30	16 x 10 x 8
100	FFSS-100	25	60	24 x 12 x 11
200	FFSS-200	50	125	30 x 24 x 11
Non-Fusible				
30	FNFSS-30	5	20	16 x 10 x 8
60	FNFSS-60	15	50	16 x 10 x 8
100	FNFSS-100	25	75	24 x 12 x 11
200	FNFSS-200	50	125	30 x 24 x 11
Circuit Breaker		Interrupting Rating		
15 - 150 Amp	FCB-HDL-XXX-480-18K	18K		16 x 10 x 8
100 - 250 Amp	FCB-JDL-XXX-480-25K	25K		24 x 12 x 11
250 - 400 Amp	FCB-LAL-XXX-480-30K	30K		36 x 30 x 11
400 - 800 Amp	FCB-MGL-XXX-480-35K	35K		36 x 30 x 11

Square D Breakers supplied as standard

Available in a full offering of trip ratings, interrupting ratings and accessories to meet a wide range of requirements. The above part numbers are available in our quick ship program. Others available on request with delivery to be determined based on specific requirements.

Also available with an interlocked receptacle switch with Cooper Crouse-Hinds Arktite® Receptacles

Combination Motor Starters (Circuit Breaker, Fusible and Non-Fusible)

NEMA SIZE	MAX HP	CATALOG NUMBER*	DIMENSIONS
0	5	FCMS-0-X-YY-ZZ	24 x 12 x 11
1	10	FCMS-1-X-YY-ZZ	24 x 12 x 11
2	25	FCMS-2-X-YY-ZZ	30 x 24 x 11

*For "X" insert C for Circuit Breaker, F for fusible or NF for non-fusible
 For "YY" insert HP needed
 For "ZZ" insert voltage needed

Custom Built Solutions for Fast Delivery

Custom Built Control Stations

Overview:

The Pushbutton Series offers an enclosure solution where multiple pre-drilled openings for 30mm push buttons are required. Enclosures are available in sizes ranging from 6" x 3" to 13.5" x 11.5" with notched keyhole design and the ability to order up to 25 holes, making this solution a perfect choice for your control station applications.



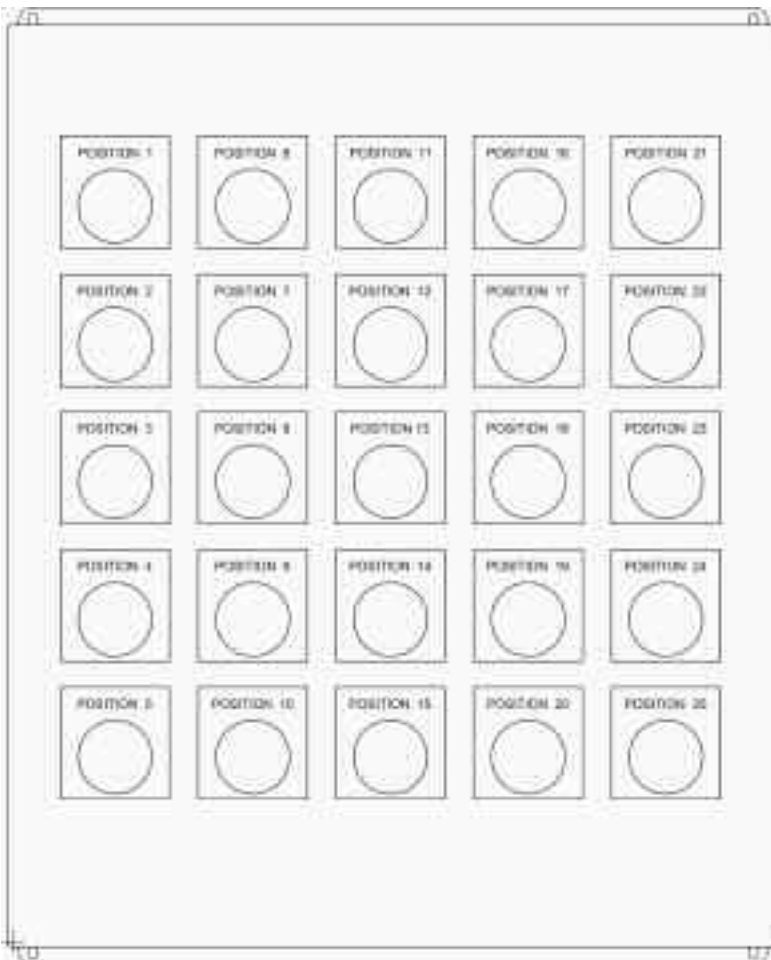
Electrical Ratings Ranges:

- Pushbutton stations and selector switches - heavy duty 600 VAC maximum
- Pilot lights, selector switches, push buttons – 120 to 600 VAC; 24 VAC/DC

Certifications and Compliances:

- UL/cUL 50, Types 1, 3, 4X, 6P, 12
- UL Standard: 508
- CSA Std C22.2 - File 244248 Types 1, 3, 4X, 6P, 12
- NEMA Standard 250 - Types 1, 3, 4X, 6P, 12

Custom Control Station Ordering Information



PB Enclosure

Multi-Hole Enclosure



FPB

FPBM

30mm
Pushbutton

30mm
Multi-Hole
Pushbutton

Holes		Holes	
1	FPB31	4	FPBM34
2	FPB32	6	FPBM36
3	FPB33	9	FPBM39
4	FPB34	12	FPBM312
5	FPB35	16	FPBM316
6	FPB36	20	FPBM320
7	FPB37	25	FPBM325

See dimensions on page 9.

Control Station Ordering Steps

1. Choose enclosure from those listed above
2. Use panel diagram at left for your pushbutton enclosure positions
3. Fill out layout chart on page 37
4. Choose operators and legends from charts on page 37
5. Email this information to fiberglassenclosures.com or fax to 315-477-5153

Custom Build Control Stations Ordering Info

Position #	Type of Operator	Transformer Voltage Illum. 24 VAC/DC or 120 VAC	Color	Number of N.O. Contacts	Position of N.O. Contact	Number of N.C. Contacts	Position of N.C. Contact	Specialty Contacts	Attachments or Protection	Legend Plate Material	Legend Marking Code (see chart below)	Legend Plate Color
1	O2		Red	2	n/a	2	n/a	n/a	n/a	Plastic	L6	Red
2	O1		Green	1	n/a	n/a	n/a	n/a	n/a	Plastic	L14	White
3	O6		Black	2	X-0-0 & 0-0-X	n/a	n/a	n/a	n/a	Aluminum	L16	Gray
1												
2												
3												
4												
5												
6												
7												
8												
9												
10												
11												
12												
13												
14												
15												
16												
17												
18												
19												
20												
21												
22												
23												
24												
25												

Type of Operator - Choose from description below and add code to sheet above

CODE	OPERATOR	CODE	OPERATOR	CODE	OPERATOR
O1	PILOT LIGHT	O5	3-POSITION SELECTOR SWITCH, NON-ILLUM.	O9	2-POSITION E-STOP, PUSH-PULL, NON-ILLUM.
O2	2-POSITION SELECTOR SWITCH, ILLUMINATED	O6	2-POSITION KEY SWITCH	O10	MOMENTARY CONTACT PUSH BUTTON, NON-ILLUM.
O3	3-POSITION SELECTOR SWITCH, ILLUMINATED	O7	3-POSITION KEY SWITCH	O11	MOMENTARY CONTACT PUSH BUTTON, ILLUM.
O4	2-POSITION SELECTOR SWITCH, NON-ILLUM.	O8	2-POSITION E-STOP, PUSH-PULL, ILLUMINATED	O12	OTHER

Legend Markings - Choose from description below and add code to sheet above

Standard Legend Plate is white legend with black lettering

CODE	LEGEND MARKING	CODE	LEGEND MARKING	CODE	LEGEND MARKING	CODE	LEGEND MARKING	CODE	LEGEND MARKING
L1	AUTO-OFF-HAND	L15	HAND-AUTO	L29	LOW	L43	RAISE-LOWER	L57	START-JOG
L2	AUTO-MAN-HAND	L16	HAND-OFF-AUTO	L30	LOW SPEED	L44	RAISE-OFF-LOWER	L58	START-STOP
L3	CLOSE	L17	HIGH	L31	LOWER	L45	RESET	L59	STOP (Red)
L4	CYCLE START	L18	HIGH-LOW	L32	OFF	L46	REVERSE	L60	STOP-START
L5	DOWN	L19	HIGH-OFF-LOW	L33	OFF-COOLANT-ON	L47	RUN	L61	SUMMER-OFF-WINTER
L6	EMERGENCY STOP (Red)	L20	IN	L34	OFF-ON	L48	RUN-INCH	L62	SUMMER-WINTER
L7	FAST	L21	INCH	L35	ON	L49	RUN-JOG	L63	TEST
L8	FEED START	L22	JOG	L36	OPEN	L50	SAFE-RUN	L64	THIRD SPEED
L9	FEED STOP	L23	JOG FORWARD	L37	OPEN-CLOSE	L51	SECOND SPEED	L65	UP
L10	FOR.-REV	L24	JOG REVERSE	L38	OPEN-OFF-CLOSE	L52	SLOW	L66	UP-DOWN
L11	FOR.-OFF-REV.	L25	JOG-RUN	L39	OUT	L53	SLOW-FAST	L67	UP-OFF-DOWN
L12	FORWARD	L26	JOG-SAFE-RUN	L40	PUSH SP-PULL ST	L54	SLOW-OFF-FAST	L68	OTHER (up to 17 spaces)
L13	FOURTH SPEED	L27	JOG-STOP-RUN	L41	POWER ON	L55	SPEED9		
L14	FULL SPEED	L28	LEFT-RIGHT	L42	RAISE	L56	START (Green)		

CATALOG NO.	PAGE NO.	CATALOG NO.	PAGE NO.	CATALOG NO.	PAGE NO.
Small Line Series		FJHS060404	11, 12, 13	FJDFHPW100804	11, 12, 13
FSJBS030302	6, 7	FJHS060604	11, 12, 13	FJFHPW121005	11, 12, 13
FSJBS050302	6, 7	FJHS080604	11, 12, 13	FJFHPW121206	11, 12, 13
FSJBS060404	6, 7	FJHS080804	11, 12, 13	FJFHPW140707	11, 12, 13
FSJBS080302	6, 7	FJHS100804	11, 12, 13	FJFHPW141206	11, 12, 13
FSJBS080404	6, 7	FJDHS100804	11, 12, 13	FJFHPW161406	11, 12, 13
FSJBS090302	6, 7	FJHS121005	11, 12, 13	FJFHPW181608	11, 12, 13
FSJBS110404	6, 7	FJHS121206	11, 12, 13	FJFHPW201608	11, 12, 13
FSJBS140302	6, 7	FJHS140707	11, 12, 13		
FSJBS170302	6, 7	FJHS141206	11, 12, 13	Raised Cover Series	
FSJS070603	6, 7	FJHS161406	11, 12, 13	FRCJS060406	14, 15, 16
FSJS090603	6, 7	FJHS181608	11, 12, 13	FRCJS060606	14, 15, 16
		FJHS201608	11, 12, 13	FRCJS080606	14, 15, 16
Pushbutton Series		FJHP060404	11, 12, 13	FRCJS080805	14, 15, 16
FPB31	8, 9, 10	FJHP060604	11, 12, 13	FRCJS100806	14, 15, 16
FPB32	8, 9, 10	FJHP080604	11, 12, 13	FRCJS121006	14, 15, 16
FPB33	8, 9, 10	FJHP080804	11, 12, 13	FRCJS121208	14, 15, 16
FPB34	8, 9, 10	FJHP100804	11, 12, 13	FRCJS141208	14, 15, 16
FPB35	8, 9, 10	FJDHP100804	11, 12, 13	FRCJS161408	14, 15, 16
FPB36	8, 9, 10	FJHP121005	11, 12, 13	FRCJS181610	14, 15, 16
FPB37	8, 9, 10	FJHP121206	11, 12, 13	FRCJS201610	14, 15, 16
FPB21	8, 9, 10	FJHP140707	11, 12, 13	FRCJHS060406	14, 15, 16
FPB22	8, 9, 10	FJHP141206	11, 12, 13	FRCJHS060606	14, 15, 16
FPB23	8, 9, 10	FJHP161406	11, 12, 13	FRCJHS080606	14, 15, 16
FPB24	8, 9, 10	FJHP181608	11, 12, 13	FRCJHS080805	14, 15, 16
FPB25	8, 9, 10	FJHP201608	11, 12, 13	FRCJHS100806	14, 15, 16
FPB26	8, 9, 10	FJHPW060404	11, 12, 13	FRCJHS121006	14, 15, 16
FPB27	8, 9, 10	FJHPW060604	11, 12, 13	FRCJHS121208	14, 15, 16
		FJHPW080604	11, 12, 13	FRCJHS141208	14, 15, 16
		FJHPW080804	11, 12, 13	FRCJHS161408	14, 15, 16
Mounting Foot Kit		FJHPW100804	11, 12, 13	FRCJHS181610	14, 15, 16
FSJMTGFTKIT	8	FJDHPW100804	11, 12, 13	FRCJHS201610	14, 15, 16
		FJHPW121005	11, 12, 13	FRCJHP060406	14, 15, 16
Multi-Hole Pushbutton Series		FJHPW121206	11, 12, 13	FRCJHP060606	14, 15, 16
FPBM34	8, 9, 10	FJHPW140707	11, 12, 13	FRCJHP080606	14, 15, 16
FPBM36	8, 9, 10	FJHPW141206	11, 12, 13	FRCJHP080805	14, 15, 16
FPBM39	8, 9, 10	FJHPW161406	11, 12, 13	FRCJHP100806	14, 15, 16
FPBM312	8, 9, 10	FJHPW181608	11, 12, 13	FRCJHP121006	14, 15, 16
FPBM316	8, 9, 10	FJHPW201608	11, 12, 13	FRCJHP121208	14, 15, 16
FPBM320	8, 9, 10	FJHSW060404	11, 12, 13	FRCJHP141208	14, 15, 16
FPBM325	8, 9, 10	FJHSW060604	11, 12, 13	FRCJHP161408	14, 15, 16
		FJHSW080604	11, 12, 13	FRCJHP181610	14, 15, 16
Junction Box Series		FJHSW080804	11, 12, 13	FRCJHP201610	14, 15, 16
FJS060404	11, 12, 13	FJHSW100804	11, 12, 13		
FJS060604	11, 12, 13	FJHSW100804	11, 12, 13	Xtra Deep Series	
FJS080604	11, 12, 13	FJDHSW100804	11, 12, 13	FXDJ060408	17, 18
FJS080804	11, 12, 13	FJHSW121005	11, 12, 13	FXDJ060608	17, 18
FJS100804	11, 12, 13	FJHSW121206	11, 12, 13	FXDJ080608	17, 18
FJDS100804	11, 12, 13	FJHSW140707	11, 12, 13	FXDJ080808	17, 18
FJS121005	11, 12, 13	FJHSW141206	11, 12, 13	FXDJ100808	17, 18
FJS121206	11, 12, 13	FJHSW161406	11, 12, 13	FXDJ121010	17, 18
FJS140707	11, 12, 13	FJHSW181608	11, 12, 13	FXDJ121010	17, 18
FJS141206	11, 12, 13	FJHSW201608	11, 12, 13	FXDJ121212	17, 18
FJS161406	11, 12, 13	FJFHPW080604	11, 12, 13	FXDJ141212	17, 18
FJS181608	11, 12, 13	FJFHPW080804	11, 12, 13	FXDJ161412	17, 18
FJS201608	11, 12, 13	FJFHPW100804	11, 12, 13	FXDJ181617	17, 18
				FXDJ201617	17, 18

CATALOG NO.	PAGE NO.	CATALOG NO.	PAGE NO.	CATALOG NO.	PAGE NO.
Advantage Series					
FAHS060604	19, 20	F3WMSHL302410	21, 22, 24	FPLG3KIT	28
FAHS080604	19, 20	F3WMSHL302412	21, 22, 24	FPLG4KIT	28
FAHS080804	19, 20	F3WMSHL363008	21, 22, 24	FPLG5KIT	28
FAHS100806	19, 20	F3WMSHL363010	21, 22, 24	FPLG6KIT	28
FAHS121006	19, 20	F3WMSHL363012	21, 22, 24	FPLG7KIT	28
FAHS141206	19, 20	F3WMSHL483612	21, 22, 24	FPLG8KIT	28
FAHS141208	19, 20	F3WMSHL483616	21, 22, 24	Mounting Plates for the Disconnect & Circuit Breaker Enclosures	
FAHS161408	19, 20	F4WMSHL161007	21, 22, 23	FMPC1610	29
FAHS181610	19, 20	F4WMSHL201612	21, 22, 23	FMPC2016	29
FAHS201610	19, 20	F4WMSHL241206	21, 22, 23	FMPC2412	29
FAHP060604	19, 20	F4WMSHL241210	21, 22, 23	FMPC2424	29
FAHP080604	19, 20	F4WMSHL242008	21, 22, 23	FMPC3024	29
FAHP080804	19, 20	F4WMSHL242410	21, 22, 23	FMPC3630	29
FAHP100806	19, 20	F4WMSHL242412	21, 22, 23	Mounting Plates for the NEMA 3R, 4R and Control Tower Enclosures	
FAHP121006	19, 20	F4WMSHL302006	21, 22, 23	FMPWM1610SA	30
FAHP141206	19, 20	F4WMSHL302008	21, 22, 23	FMPWM2016SA	30
FAHP141208	19, 20	F4WMSHL302010	21, 22, 23	FMPWM2412SA	30
FAHP161408	19, 20	F4WMSHL302012	21, 22, 23	FMPWM2420SA	30
FAHP181610	19, 20	F4WMSHL302407	21, 22, 23	FMPWM2424SA	30
FAHP201610	19, 20	F4WMSHL302410	21, 22, 23	FMPWM3020SA	30
FAHSCC060604	19, 20	F4WMSHL302412	21, 22, 23	FMPWM3024SA	30
FAHSCC080604	19, 20	F4WMSHL363008	21, 22, 23	FMPWM3630SA	30
FAHSCC080804	19, 20	F4WMSHL363010	21, 22, 23	FMPWM3636SA	30
FAHSCC080804	19, 20	F4WMSHL363012	21, 22, 23	FMPWM3648SA	30
FAHSCC100806	19, 20	F4LSHL483612	21, 22, 24	FMPWM4836SA	30
FAHSCC121006	19, 20	F4LSHL483616	21, 22, 24	FMPWM6036SA	30
FAHSCC141206	19, 20	F4LSHL603612	21, 22, 24	FMPWM7225SA	30
FAHSCC141208	19, 20	F4LSHL603616	21, 22, 24	FMPWM7249SA	30
FAHSCC161408	19, 20	F4LSHLDD364812	21, 22, 24, 25	Mounting Plates for FSJ, FPB, FA, FJ & FRCJ Series Enclosures	
FAHPCC060604	19, 20	F4LSHLFS722525	21, 22, 24, 25	FMP0604SA	31
FAHPCC080604	19, 20	F4LSHLFSDD724925	21, 22, 24, 25	FMP0606SA	31
FAHPCC080804	19, 20	Disconnect & Circuit Breaker Encl.			
FAHPCC100806	19, 20	FDC161008	26, 27	FMP0706SA	31
FAHPCC121006	19, 20	FDC201608	26, 27	FMP0806SA	31
FAHPCC141206	19, 20	FDC241212	26, 27	FMP0808SA	31
FAHPCC141208	19, 20	FDC242412	26, 27	FMP0906SA	31
FAHPCC161408	19, 20	FDC302412	26, 27	FMP1008SA	31
FACP0606SA	19, 20, 32	FDC363012	26, 27	FMP1210SA	31
FACP0806SA	19, 20, 32	Accessories			
FACP0808SA	19, 20, 32	CHCI21	28	FMP1212SA	31
FACP1008SA	19, 20, 32	CHENCAP2PK	28	FMP1407SA	31
FACP1210SA	19, 20, 32	CHENCAP4PK	28	FMP1412SA	31
FACP1412SA	19, 20, 32	CHSS2PK	28	FMP1614SA	31
FACP1614SA	19, 20, 32	CHSS4PK	28	FMP1816SA	31
FACP1816SA	19, 20, 32	CHHANDLE	28	FMP2016SA	31
FACP2016SA	19, 20, 32	CHDV	28	Custom Built Solutions 33-37	
Mounting Foot Kit		CHDVKIT	28		
FAMTGFTKIT	19	CHDVKIT4X	28		
Wall Mount & Lrg. Fiberglass Enclosure		CHBVKIT4X	28		
F3WMSHL201606	21, 22, 24	CHLP1	28		
F3WMSHL242410	21, 22, 24	CHLPKIT	28		
F3WMSHL302008	21, 22, 24	FPLG1KIT	28		
F3WMSHL302010	21, 22, 24	FPLG2KIT	28		

For more information:

If further assistance is required, please contact an authorized Cooper Crouse-Hinds Distributor, Sales Office, or Customer Service Department.

**U.S. (Global Headquarters):
Cooper Crouse-Hinds**

Wolf & Seventh North Streets
Syracuse, NY 13221
(866) 764-5454
FAX: (315) 477-5179
FAX Orders Only: (866) 653-0640
crouse.customerctr@cooperindustries.com

**Canada:
Cooper Crouse-Hinds Canada**

Toll Free: 800-265-0502
FAX: (800) 263-9504
FAX Orders only: (866) 653-0645

**Mexico/Latin America/Caribbean:
Cooper Crouse-Hinds, S.A. de C.V.**

52-555-804-4000
FAX: 52-555-804-4020
mxmercadotecnia@cooperindustries.com

**Europe (Germany):
Cooper Crouse-Hinds GmbH**

49 (0) 6271 806-500
49 (0) 6271 806-476
info-ex@ceag.de

**Middle East (Dubai):
Cooper Crouse-Hinds LLC**

971 4 4272500
FAX: 971 4 4298521

**Singapore:
Cooper Crouse-Hinds Pte. Ltd.**

65-6297-4849
FAX: 65-6297-4819
sales@cchspore.com.sg

**China:
Cooper Crouse-Hinds Pte. Ltd.**

86-21-2899-3600
FAX: 86-21-2899-4055
cchsales@cooperindustries.com

**Korea:
Cooper Crouse-Hinds Korea**

82-2-3484-6783
82-2-3484-6778

**Australia:
Cooper Electrical Australia**

61-2-8787-2777
FAX: 61-2-9609-2342
sales@cooperelectrical.com.au

**India:
Cooper India Pvt. Ltd.**

91-124-4683888
FAX: 91-124-4683899
cchindia@cooperindustries.com

www.crouse-hinds.com

Cooper Crouse-Hinds is a registered trademark of Cooper Industries, Inc.
©2008 Cooper Industries, Inc.

Your Authorized Cooper Crouse-Hinds Distributor is:



Cooper Industries, Ltd.
600 Travis, Ste. 5800
Houston, TX 77002-1001
P: 713-209-8400
www.cooperindustries.com