

3A ETW Telephones

Cl. I, Div. 1 & 2, Groups B, C, D
 Cl. II, Div. 1, Groups E, F, G
 Cl. II, Div. 2, Groups F, G
 Cl. III

Explosionproof
 Dust-Ignitionproof
 Raintight
 Wet Locations

Applications:

ETW series telephones are used:

- For communication in areas which may be hazardous due to the presence of flammable gases or vapors, and/or combustible dusts
- In chemical plants, oil refineries, bulk loading stations, paint and varnish manufacturing plants, grain processing and similar industries

Features:

- Modern styled, pushbutton wall-mount unit is very rugged in design, suitable for the harshest industrial applications
- Large, easy to read keyboard allows gloves-on operation
- Cast copper-free aluminum housing, with baked on powder coat finish, is highly resistant to corrosive atmospheres
- Units are tone or pulse compatible and offer superior audio clarity
- Handset cord features a pin-type connector for easy field replacement; handset circuit is intrinsically safe
- Up to ten units can be connected on one line



ETW401

Certifications and Compliances:

- NEC/CEC:
 - Class I, Divisions 1 & 2, Groups B, C, D
 - Class II, Division 1, Groups E, F, G
 - Class II, Division 2, Groups F, G
- UL Standard: 1203, 698
- CSA Standard: C22.2 No. 30
- FCC Approved

Standard Materials:

- Enclosure – copper-free aluminum
- Handset – high impact plastic

Standard Finishes:

- Enclosure – baked powder paint (safety blue)

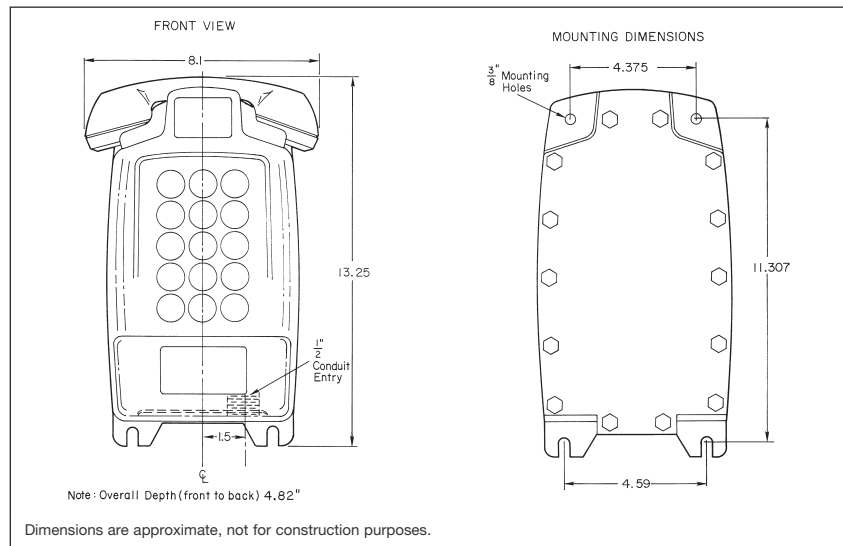
Accessories:

- A standard volume explosionproof ringer (**ETR1**) is available, see page 714 for listing.
- For locations with a high level of ambient noise, a louder ringer can be installed. An ESR bell or ETH horn may be used by installing an ETC relay between the telephone line switch and the bell or horn. The relay coil is energized by the ringing current and the relay contacts control a separate power source to the signal.

Ordering Information:

Description	Cat. #
Phone w/ handset	ETW401
Replacement handset (10' cord) ETW	ETW:301SC
Replacement handset (20' cord) ETW	ETW:301SC 20
Phone w/ headset	ETW401 HS
Phone push-to-talk handset	ETW401 PB
Replacement headset	ETW:P7200
Explosionproof ringer	ETR1

Dimensions In Inches:



3A Telephone Accessories

Cl. I, Div. 1 & 2, Groups B*, C, D
 Cl. II, Div. 1, Groups E, F, G
 Cl. II, Div. 2, Groups F, G
 Cl. III

Explosionproof
 Dust-Ignitionproof
 Raintight
 Wet Locations

Features:

- ETC232 power relays are used with ESR bells and ETH, W2H or WH horns; the relay coil is energized by the telephone ringing circuit, and the relay contacts control the separate 115VAC, 60 hertz power source
- ETR1 external ringer for ETW401 telephone; for low ambient noise areas, ring tone level is similar to a general use telephone; includes a ring detect relay which is powered by the telephone line voltage, (maximum 90VAC)

Certifications and Compliances:

- NEC/CEC:
 - Class I, Division 1 & 2, Groups B*, C, D
 - Class II, Division 1, Groups E, F, G
 - Class II, Division 2, Groups F, G
 - Class III
- UL Standard: 1203
- CSA Standard: C22.2 No. 30

Standard Materials:

- Bodies – copper-free aluminum
- Covers – copper-free aluminum

Standard Finishes:

- Aluminum – baked epoxy powder paint

Power Relay



Description	Rating	Hub Size	Cat. #
Relay for Horn Signal	10A 115VAC 60 hertz	3/4"	ETC232

Ringer



Description	Hub Size	Cat. #
Normal volume external ringer for ETW40 telephone	3/4"	ETR1

3A

*For use in Group B hazardous areas, seals must be installed within 1 1/2" of each conduit entrance.