

Champ-Pak™ Wall Pack Luminaires

Cl. I, Div. 2, Groups A, B, C, D
Restricted Breathing Cl. I, Div. 2 &
Zone 2 (Suffix S826)
Certified for IEC Zone 2
(Suffix S826TB)

Cl. II, Groups F, G
Cl. III & Simultaneous Presence
Marine & Wet Locations
Enclosure Type 4X, IP66

6L

The first low-profile wall pack designed specifically for hazardous areas.

The Eaton's Crouse-Hinds Champ-Pak™ Wall Pack Luminaire is ideal for low-profile mounting in hazardous and industrial environments. **In fact, it is suitable for any area with adverse conditions such as dust, dirt, moisture, vibration, high-pressure hose downs, and high thermal ambients.** Its precisely designed glass refractor minimizes fixture depth while providing uniform, glare-free illumination.

- Unique compact shallow-profile design mounts virtually anywhere
- Side-hinged cover with two-screw closing for easy installation and maintenance
- Gray Corro-free™ epoxy powder coated two-piece housing provides superior corrosion resistance
- Unique stainless steel wire guard accessory attaches without any additional hardware for easy installation and maintenance
- Glass refractor provides uniform light distribution to eliminate glare
- Vertical lamp design provides even lamp heat distribution for cooler operation, providing expanded hazardous area suitability
- Silicone gaskets make luminaire suitable for enclosure Type 4X, marine, and IP66 environments
- Available in two different conduit entry configurations to permit flexible installation and mounting
- Four 3/4" NPT hubs, one on each side
- Two 1/2" NPT hubs on bottom for feed-through applications



Applications:

- Indoor and outdoor wall mounting or vertical surface mounting where minimal fixture depth is required in:
- Manufacturing plants and heavy industrial facilities
- Industrial process facilities such as refineries, chemical, petrochemical, pharmaceutical, and production platforms
- Waste or sewage treatment plants
- Offshore, dockside, and harbor installations
- For security and safety lighting in industrial facilities
- For lighting of loading docks, tunnels, and stairways
- For marine, wet location, hose down, and corrosive environments

Additional Features and Benefits:

- Variety of lamp types and wattages—HID, fluorescent, and induction—to meet specific lighting needs
- High power-factor ballasts (+90%) are standard, which allow more luminaires per circuit
- Up to 65°C ambient suitability on select lamp types and wattages; ambient suitability of +40°C is standard; allows for installation in higher ambient environments commonly found in industrial facilities
- Low ambient starting capability (to -40°C) – perfect for colder climates
- Shock-absorbing HID mogul base lamp socket cushions lamp, improves lamp life in harsh environments
- Compact fluorescent auxiliary luminaire provides 90 minutes of lighting during power outages, meeting UL924 Auxiliary Lighting and Life Safety Code
- Cost-effective induction lamp system provides extra long lamp life up to 100,000 hours; reaches full illumination immediately, providing crisp, white light
- NEC/CEC restricted breathing construction is available to provide cooler temperature classes (T codes) for expanded hazardous area suitability
- Simplified method for compliance to NEC restricted breathing conduit sealing requirements makes installation easier

Cl. I, Div. 2, Groups A, B, C, D
Restricted Breathing Cl. I,
Div. 2 & Zone 2 (Suffix S826)
Certified for IEC Zone 2
(Suffix S826TB)

Cl. II, Groups F, G
Cl. III & Simultaneous Presence
Marine & Wet Locations
Enclosure Type 4X, IP66

Certifications and Compliances:

- Luminaires For Use With ANSI Lamps (Mogul Base):
 - UL/cUL Listed
 - NEC and CEC Class I, Division 2 and Class I, Zone 2
 - Restricted Breathing Class I, Division 2 and Zone 2 (suffix S826)
 - Class II, Groups F, G
 - Class III
 - Simultaneous Presence
 - Certified for IEC Zone 2 (suffix S826TB)
 - Wet Locations; Marine Locations; Enclosure Type 4X; IP66
- UL Standards:
 - 844 – Hazardous (Divisions Classified) Locations
 - 1598 – Luminaires
 - 1598A – Luminaires for Marine Vessels
 - 924 – Auxiliary Lighting (Fluorescent Auxiliary Luminaire)
- CSA Standards:
 - C22.2 No. 9 and 137
 - CAN/CSA-E60079-15:02
- IEC Standards:
 - 60079-15

Standard Materials:

- Fixture housing and door frame assembly – copper-free aluminum
- External hardware – stainless steel
- Refractor lens – borosilicate glass
- Gasket – silicone
- Reflector – aluminum light sheet
- Wire guard – stainless steel

Standard Finishes:

- Aluminum – Corro-free™ epoxy powder coat
- Stainless steel – natural

Ratings (Electrical/Size):

Sources/Wattages

- High-pressure sodium (HPS) – mogul base 50, 70, 100 & 150
- Metal halide (MH) – mogul base 70, 100 & 150
- Compact fluorescent 26, 32, 42, 52, 64 & 84
- Auxiliary fluorescent 26
- Induction 55 & 85

Voltages

HID Standard-Voltage Ballasts

- Dual tap (120 & 277 V, 60 Hz–for 50 W HPS only)–prewired at 277 V
- Multi-tap (120, 208, 240 & 277 V, 60 Hz)–prewired at 277 V
- Tri-tap (120, 277 & 347 V, 60 Hz)–prewired at 347 V
- 120 V, 60 Hz
- 480 V, 60 Hz

Fluorescent Standard Voltage Ballasts

- 120–277 V, 50–60 Hz
- 120 V, 50 Hz (for Canada only)
- 347 V, 60 Hz (for Canada only)

Induction Standard Voltage Ballasts

- 120 V, 50–60 Hz (also 120 V DC)
- 230 V, 50–60 Hz (also 240 V DC)

HID Optional Voltage Ballasts

- 220 V, 50 Hz
- 220 V, 60 Hz
- 240 V, 50 Hz

Fluorescent Optional Voltage Ballasts (Consult Factory)

- 125 V DC
- 12 V DC
- 24 V DC

Isolated Ballasts And Specials (Consult Factory)

- 208 V, 60 Hz CWI Isolated Ballast
- 240 V, 60 Hz CWI Isolated Ballast
- 480 V, 60 Hz CWI Isolated Ballast

Conduit Entries

- Four 3/4" NPT entries, one on each side, top and bottom (3 plugged)
- Two 1/2" NPT entries on bottom for feed-through (1 plugged)
- Metric entries – consult factory

Champ-Pak™ Wall Pack Luminaires

Cl. I, Div. 2, Groups A, B, C, D
Restricted Breathing Cl. I,
Div. 2 & Zone 2 (Suffix S826)
Certified for IEC Zone 2
(Suffix S826TB)

Cl. II, Groups F, G
Cl. III & Simultaneous Presence
Marine & Wet Locations
Enclosure Type 4X, IP66

6L

Ordering Information HID Luminaires:

Hub Size	Lamp Watts	Cat#
High-Pressure Sodium		
Four 3/4" NPT (one each side) Two 1/2" NPT (on bottom)	50	CPMVS2W050 CPMVS1W050
Four 3/4" NPT (one each side) Two 1/2" NPT (on bottom)	70	CPMVS2W070 CPMVS1W070
Four 3/4" NPT (one each side) Two 1/2" NPT (on bottom)	100	CPMVS2W100 CPMVS1W100
Four 3/4" NPT (one each side) Two 1/2" NPT (on bottom)	150 (for 55V lamp)	CPMVS2W150 CPMVS1W150
Metal Halide		
Four 3/4" NPT (one each side) Two 1/2" NPT (on bottom)	70	CPMVM2W070 CPMVM1W070
Four 3/4" NPT (one each side) Two 1/2" NPT (on bottom)	100	CPMVM2W100 CPMVM1W100
Metal Halide-Pulse Start		
Four 3/4" NPT (one each side) Two 1/2" NPT (on bottom)	150	CPMVM2W150 S828 CPMVM1W150 S828

To complete Catalog Number, add Voltage and Option suffix(es).

Voltage Suffixes:

		NEC/UL	
Voltage (60 Hz)	Dual Tap	Multi Tap	120 480
Suffix	/DT	/MT	/120 /480
		CEC (CSA/cUL)	
Voltage (60 Hz)	Dual Tap	Tri Tap	120
Suffix	/DT	/TT	/120

50W HPS is available only with suffix /DT.

Ordering Information Induction Luminaires With Lamp (100,000 hours):

Hub Size	Lamp Watts	Cat. #
Four 3/4" NPT (one each side) Two 1/2" NPT (on bottom)	55	CPMVIG2W055 CPMVIG1W055
Four 3/4" NPT (one each side) Two 1/2" NPT (on bottom)	85	CPMVIG2W085 CPMVIG1W085

Voltage Suffixes:

120 V (also 120 V DC)		230 V (also 240 V DC)	
Voltage (50-60 Hz)			
Suffix	/120		/230

Ordering Information Fluorescent Luminaires:

Hub Size	Lamp Watts	Cat. #
Four 3/4" NPT (one each side) Two 1/2" NPT (on bottom)	26 (one 26 W lamp)	CPMVF2W026 CPMVF1W026
Four 3/4" NPT (one each side) Two 1/2" NPT (on bottom)	32 (one 32 W lamp)	CPMVF2W032 CPMVF1W032
Four 3/4" NPT (one each side) Two 1/2" NPT (on bottom)	42 (one 42 W lamp)	CPMVF2W042 CPMVF1W042
Four 3/4" NPT (one each side) Two 1/2" NPT (on bottom)	52 (two 26 W lamps)	CPMVF2W052 CPMVF1W052
Four 3/4" NPT (one each side) Two 1/2" NPT (on bottom)	64 (two 32 W lamps)	CPMVF2W064 CPMVF1W064
Four 3/4" NPT (one each side) Two 1/2" NPT (on bottom)	84 (two 42 W lamps)	CPMVF2W084 CPMVF1W084

Voltage Suffixes:

		NEC/CEC (UL, CSA, cUL)	CEC (CSA, cUL)
Voltage		120-277 V	347 V
Suffix		(50-60 Hz) /UNV	(60 Hz) /347

Ordering Information Fluorescent Auxiliary Luminaires - Continuous Operation:

Hub Size	Lamp Watts	Cat. #
Four 3/4" NPT (one each side) Two 1/2" NPT (on bottom)	26 (one 26 W lamp)	CPMVFB2W026 AUX CPMVFB1W026 AUX

Voltage Suffixes:

		NEC/CEC (UL, CSA, cUL)	CEC (CSA, cUL)	
Voltage		120-277 V	120 V	347 V
Suffix		(50-60 Hz) /UNV	(60 Hz) /120 CAN	(60 Hz) /347

Compelling reasons to choose the Champ induction luminaire as the light source for industrial and hazardous locations include:

- Crisp, white light (80+ color rendering index) provides increased safety by clearly illuminating signs, instrument panels, equipment, and more with vibrant natural colors
- Up to 100,000 hours of lamp life minimizes routine maintenance costs; if you operate this luminaire for 24 hours, 7 days a week, you will not need to change the lamp for up to 11 years!
- Instant illumination – no waiting for lamp warm-up time; increases productivity and safety
- Delivers the best possible luminaire temperature rating – T6 (85°C) when used with the Champ restricted breathing option; ideal for hazardous areas where a low ignition temperature is required
- Starts in low temperatures – as low as -40°C

6L

6L Champ-Pak™ Wall Pack Luminaires

Cl. I, Div. 2, Groups A, B, C, D
 Restricted Breathing Cl. I,
 Div. 2 & Zone 2 (Suffix S826)
 Certified for IEC Zone 2
 (Suffix S826TB)

Cl. II, Groups F, G
 Cl. III & Simultaneous
 Presence
 Marine & Wet Locations;
 Enclosure Type 4X, IP66

Options:

Description	Suffix
Ballast-Gard™ starter cut-out switch	BG
• Not available with IR or QTZ options	
Factory Assembled with Lamp Installed	FA
Instant Restrike	IR
• Not available with BG or QTZ options	
Guard—Factory Installed on Luminaire	P
(Guard suffix follows wattage designation, e.g., CPMVS2W100P/MT)	
Quartz Auxiliary	QTZ
Fused	S658*
• Not available with CPMVIG and CPMVFB luminaires	
• Not suitable for marine applications	
Restricted Breathing Construction (AEx nR, Ex nR)	S826
Certified For IEC Zone 2 (Ex nR) (UL Classified to the IEC Standard)	S826TB
Furnished with:	
• 4 mm ² , 3-point terminal block	
• Crimp internal wiring connections	
• P55 guard	
V2PC Photocell—Factory Installed	
• 120 V, 50–60 Hz.....	/V2PC20
• 208–240 V, 50–60 Hz	/V2PC22
• 277 V, 50–60 Hz.....	/V2PC27
Optional Voltage Ballasts for HID Luminaires	
• 220 V, 50 Hz.....	/220 50
• 220 V, 60 Hz.....	/220 60
• 240 V, 50 Hz.....	/240 50
Optional Voltage Ballasts for Fluorescent Luminaires (Consult Factory)	
• 125 V DC.....	/125 VDC
• 12 V DC.....	/12 VDC
• 24 V DC.....	/24 VDC
Isolated Ballast for HID Luminaires (Consult Factory)	
• 208 V, 60 Hz.....	/208CWI
• 240 V, 60 Hz.....	/240CWI
• 480 V, 60 H.....	/480CWI

Accessories:

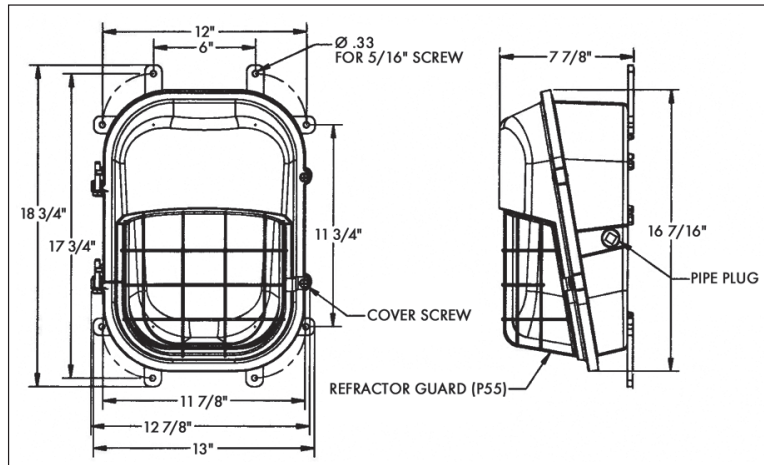
(Order Separately)	Cat. #
Description	
Photocell For Field Installation	
• 120 V, 50–60 Hz	V2PC20
• 208–240 V, 50–60 Hz	V2PC22
• 277 V, 50–60 Hz	V2PC27
In Canada, use factory-installed photocell only.	
Stainless Steel Wire Guard	P55

6L

*When ordering fuses for luminaires, option S658, you must specify the operating voltage. S658 cannot be ordered with /MT in the catalog number.

TEFLON is a registered trademark of E.I. duPont Co.

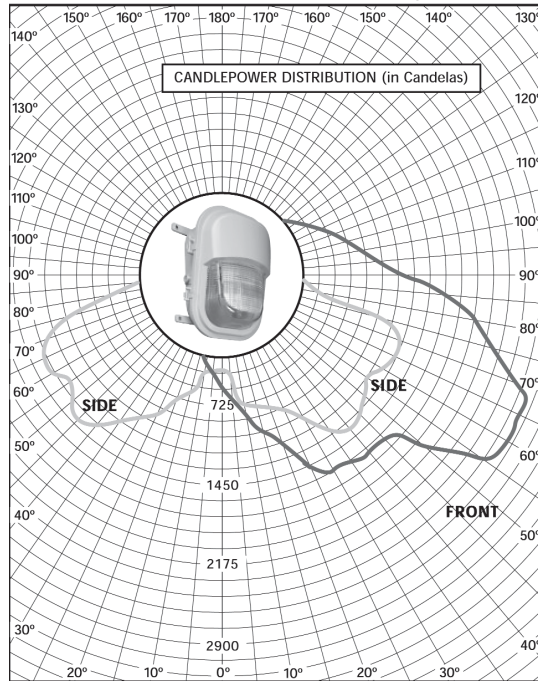
Dimensions (In Inches):



Note: Approximate weight less guard 28 lbs. P55 guard 0.5 lbs.

CPMV Photometric Data

Luminaire With Refractor Less Wire Guard CPMVS2W150 Lamp: 150 W/E23-1/2 Clear High Pressure Sodium (HPS)



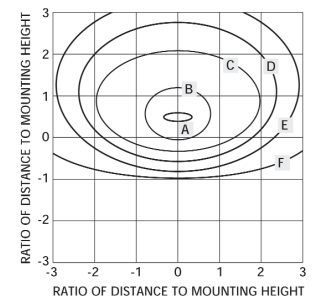
CANDELAS			
Verticle Angle	Front	Side	Back
0	413	413	413
5	470	418	367
15	877	654	265
25	1343	947	169
35	1629	1135	126
45	1614	1369	68
55	2434	1267	17
65	2505	1281	0
75	2084	916	0
85	1555	322	0
90	1148	265	0
95	956	228	0
105	723	156	0
115	527	86	0
125	335	56	0
135	224	40	0
145	150	20	0
155	64	11	0
165	19	9	0
175	0	8	0
180	3	0	0
ZONAL LUMENS			
Zone	Lumens		
0-10	42		
10-20	178		
20-30	371		
30-40	587		
40-50	760		
50-60	1095		
60-70	1277		
70-80	1028		
80-90	666		
90-100	462		
100-110	338		
110-120	236		
120-130	175		
130-140	91		
140-150	31		
150-160	10		
160-170	2		
170-180	0		
Total	7350		

Note: Photometric data was developed using a 150 watt E23-1/2 clear high pressure sodium lamp (16,000 lumens). For other clear lamp wattages, use the following conversion factors (multipliers) with both candlepower distribution and isofootcandle charts. For luminaires with guard use an additional conversion factor (multiplier) of .96.

LAMP WATTS	CONVERSION FACTOR
50 W (HPS)	0.25
70 W (HPS)	0.40
100 W (HPS)	0.59

(For additional photometric data, contact Crouse-Hinds)

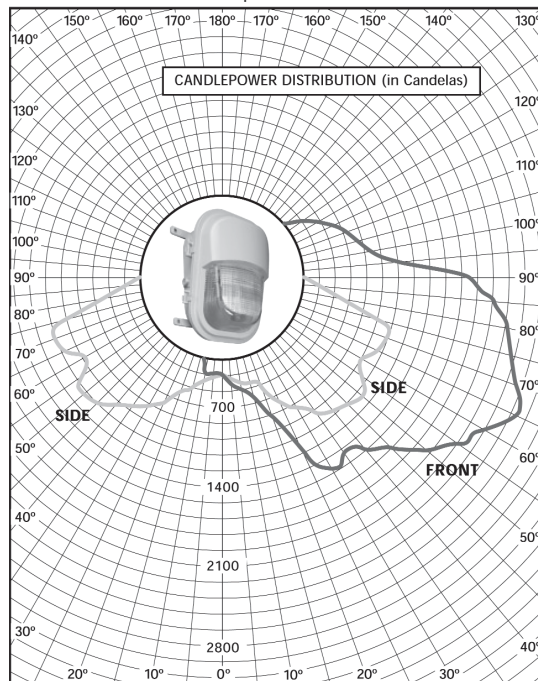
ISOFOOTCANDLE CHART:



Footcandle Values for Isofootcandle Lines						
Mtg. Hgt.	A	B	C	D	E	F
8'	15.63	7.81	3.13	1.56	0.78	0.31
10'	10.00	5.00	2.00	1.00	0.50	0.20
12'	6.94	3.47	1.39	0.69	0.35	0.14
16'	3.91	1.95	0.78	0.39	0.20	0.08
20'	2.50	1.25	0.50	0.25	0.13	0.05
25'	1.60	0.80	0.32	0.16	0.08	0.03

Isofootcandle chart shows illuminance in footcandles at ground level.

Luminaire With Refractor Less Wire Guard CPMVM2W150-S828 Lamp: 150 W/ED28 Clear Pulse Start Metal Halide



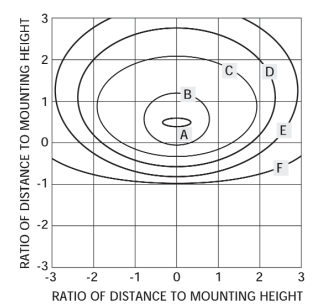
CANDELAS			
Verticle Angle	Front	Side	Back
0	404	404	404
5	442	424	413
15	692	549	238
25	1345	748	136
35	1475	946	99
45	1683	1121	56
55	2105	1095	15
65	2421	1107	3
75	2230	924	0
85	1946	349	0
90	1612	280	0
95	1154	231	0
105	738	164	0
115	535	97	0
125	360	55	0
135	237	39	0
145	139	22	0
155	56	12	0
165	17	8	0
175	0	8	0
180	3	3	0
ZONAL LUMENS			
Zone	Lumens		
0-10	42		
10-20	160		
20-30	320		
30-40	537		
40-50	709		
50-60	921		
60-70	1218		
70-80	1153		
80-90	829		
90-100	492		
100-110	347		
110-120	242		
120-130	167		
130-140	113		
140-150	35		
150-160	10		
160-170	2		
170-180	0		
Total	7287		

Note: Photometric data was developed using a 150W ED28 clear metal halide pulse start lamp (14,000 lumens). For other clear lamp wattages, use the following conversion factors (multipliers) with both candlepower distribution and isofootcandle charts. For luminaires with guard use an additional conversion factor (multiplier) of .96.

LAMP WATTS	CONVERSION FACTOR
70 W (MH)	0.40
100 W (MH)	0.56
100 W (MV)	0.30

(For additional photometric data, contact Crouse-Hinds)

ISOFOOTCANDLE CHART:

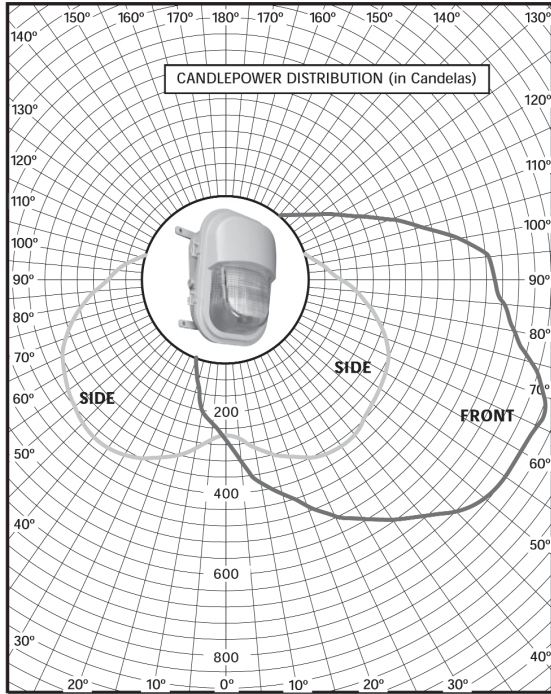


Footcandle Values for Isofootcandle Lines						
Mtg. Hgt.	A	B	C	D	E	F
8'	15.63	7.81	3.13	1.56	0.78	0.31
10'	10.00	5.00	2.00	1.00	0.50	0.20
12'	6.94	3.47	1.39	0.69	0.35	0.14
16'	3.91	1.95	0.78	0.39	0.20	0.08
20'	2.50	1.25	0.50	0.25	0.13	0.05
25'	1.60	0.80	0.32	0.16	0.08	0.03

Isofootcandle chart shows illuminance in footcandles at ground level.

For additional photometric data, contact Eaton's Crouse-Hinds.

Luminaire With Refractor Less Wire Guard
CPMVF2W084 Lamps: (2) PL-T 42W/30/4P Compact Fluorescent



CANDELAS			
Verticle Angle	Front	Side	Back
0	258	258	258
5	319	269	227
15	421	316	139
25	516	361	58
35	590	376	33
45	671	362	10
55	720	347	0
65	725	317	0
75	657	264	0
85	566	195	0
90	541	160	0
95	526	132	0
105	409	86	0
115	277	49	0
125	145	31	0
135	97	21	0
145	52	11	0
155	34	3	0
165	8	1	0
175	0	0	0
180	0	0	0

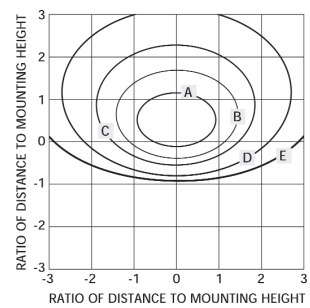
ZONAL LUMENS	
Zone	Lumens
0-10	26
10-20	87
20-30	155
30-40	223
40-50	286
50-60	334
60-70	357
70-80	349
80-90	309
90-100	262
100-110	188
110-120	113
120-130	64
130-140	36
140-150	16
150-160	5
160-170	0
170-180	0
Total	2810

Note: Photometric data was developed using two clear fluorescent lamps (3,200 lumens each). For other clear lamp wattages, use the following conversion factors (multipliers) with both candlepower distribution and isofootcandle charts. For luminaires with guard use an additional conversion factor (multiplier) of .96.

LAMP WATTS	CONVERSION FACTOR
52 W (MH)	.56
64 W (MH)	.75

(For additional photometric data, contact Crouse-Hinds)

ISOFOOTCANDLE CHART:



Footcandle Values for Isofootcandle Lines

Mtg. Hgt.	A	B	C	D	E
8'	3.13	1.56	0.78	0.31	0.16
10'	2.00	1.00	0.50	0.20	0.10
12'	1.39	0.69	0.35	0.14	0.07
16'	0.78	0.39	0.20	0.08	0.04
20'	0.50	0.25	0.13	0.05	0.03
25'	0.32	0.16	0.08	0.03	0.02

Isofootcandle chart shows illuminance in footcandles at ground level.

For additional photometric data, contact Eaton's Crouse-Hinds.

6L

Temperature Performance Data:

Watts	Ambient Temp. °C	Class I Division 2 and Zone 2		Class II and Class III	Simultaneous Presence Class I/Class II (Gas and Dust Present in the Same Area)		Supply Wire Temp. °C
		Standard Product	Restricted Breathing AEx nR/Ex nR Option S826		Standard Product Suitable for Class I, Division 2/Class II	Restricted Breathing AEx nR/Ex nR Option S826 Suitable for Class I, Division 2 or Zone 2 and Class II	
HIGH PRESSURE SODIUM							
50	40	T3A	T6	T5	T3A/T5	T5	90
	55	T3A	T6	T4A*	T3/T4A*	T4*	105
	65*	T3	T5	—	—	—	105
70	40	T3A	T6	T5	T3A/T5	T5	90
	55	T3A	T6	—	—	—	105
	65*	T3	T5	—	—	—	105
100	40	T2C	T5	Consult Factory for Class II Suitability with			90
	55*	T2C	T4	105°C Supply Wire			105
150	40	T2B	T4	—	—	—	105
METAL HALIDE							
70	40	T3C	T6	T5	T3C/T5	T5	90
	55	T3C	T6	—	—	—	105
	65*	T3C	T5	—	—	—	105
100	40	T3	T6	—	—	—	90
150PS (S828)	40	T2D	T5	—	—	—	105
COMPACT FLUORESCENT							
26	40	T3B	T6	T6	T3B/T6	T6	75
26 (347 V)	55	T3A	T6	—	—	—	75
	40	T3	T6	—	—	—	75
32	40	T3B	T6	T6	T3B/T6	T6	75
	55	T3A	T6	—	—	—	75
32 (347 V)	40	T3	T6	—	—	—	75
42 (120–277 V)	40	T3B	T6	T6	T3B/T6	T6	75
42 (347 V)	55	T3A	T6	—	—	—	75
	40	T3	T6	—	—	—	75
52	40	T3	T6	T6	T3B/T6	T6	75
	55	T3	T6	—	—	—	90
64	40	T3	T6	T6	T3/T6	T6	75
	55	T3	T6	—	—	—	90
84	40	T2C	T6	—	—	—	90
EMERGENCY FLUORESCENT							
26	40*	T3B	T6	—	—	—	75
INDUCTION							
55	40*	T2D	T6	T6	—	T6	75
	55*	T2D	T6	—	—	—	75
85	40*	T2B	T6	—	—	—	75

*Fuses (suffix S658) are not available for indicated light sources and ambient temperatures.

Note: Luminaires requiring 105°C supply wire are furnished with 3 ft. of rated wire for external wiring connection.

