

Posi-Lok™ Distribution Panels use lightweight, single conductor cables to provide the means for hurried personnel to quickly and safely connect and disconnect power systems without having to use any tools.

### Applications:

- Posi-Lok™ Power Distribution Panels utilize single conductor cable that can be used to full amperage capability without the need to derate like multi-conductor solutions
- Ideal for disaster relief, temporary power, stand-by emergency power, and power distribution applications

### Certifications and Compliances:

- UL Listed: E67181
- CSA certified: LR13963-48

### Environmental Rating:

- NEMA 3

### Features:

**1** Safe, sequential interlock ensures ground mates first and breaks last

**2** Limit switch capabilities

**3** Reliable Posi-Lok, Cross-Phase Protection System ensures phase integrity

**4** UL Listed and CSA certified

**5** Lockout/tagout compatible for safety and security

**6** Quick and easy installation - panels can be mounted into a standard 19 inch rack

**7** Shatter-resistant insulators and polarizing shells provide long-lasting, durable connectors

**8** Double set screw termination for added strength and quick installation (crimp also available)

**9** Plugs are uniquely keyed and color-coded to eliminate cross-phasing

Cut-away view of E0400 male plug

CONNECT SEQUENCE: DISCONNECT SEQUENCE: START LEFT TO RIGHT RIGHT TO LEFT NOT FOR INTERRUPTING CURRENT IN NO BREAKER FOUR COOPER ILL. COMPANY

GROUND NEUTRAL BLACK RED BLUE

LA GRANGE, NC

UL LISTED E67181

CAUTION READ INSTRUCTIONS BEFORE USE

LOCKED OUT DO NOT SERVICE

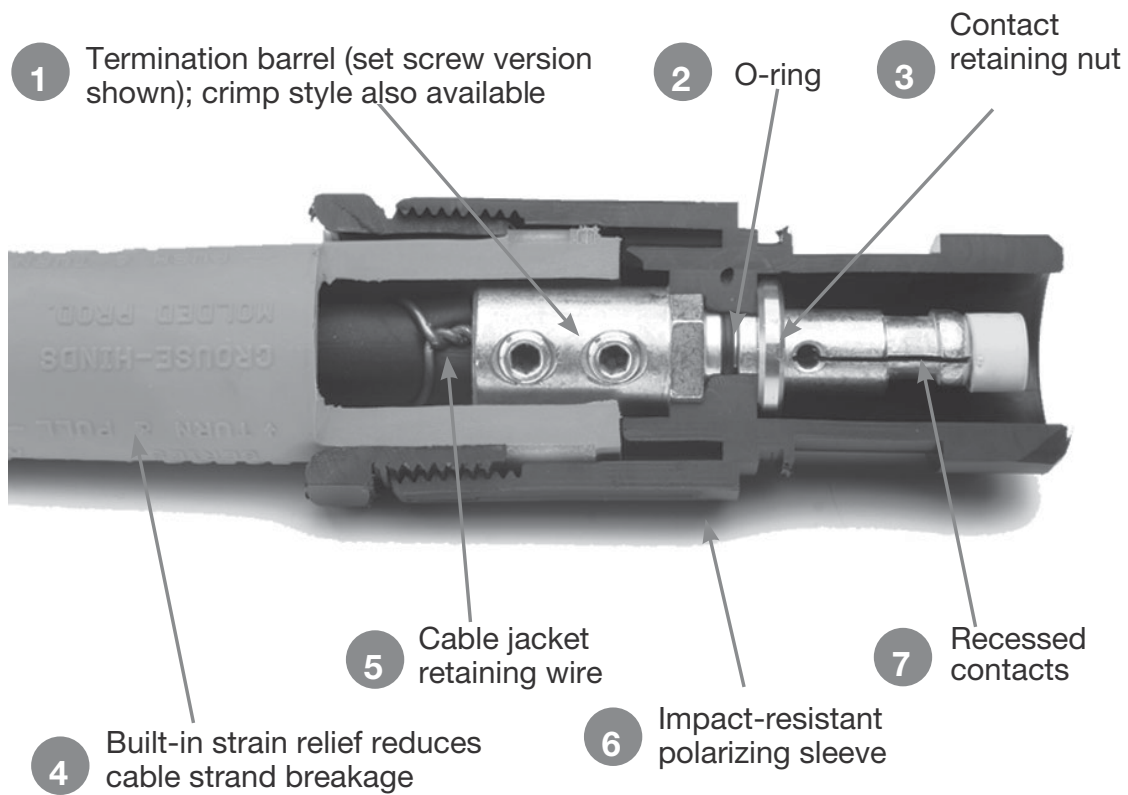
# 11P Posi-Lok™ Connectors

Now there's no need to haul around huge, multi-conductor cables. Posi-Lok™ Power Distribution Systems let you use lighter, single conductor cables rated at higher amperages.

Posi-Lok™ Plugs feature recessed electrical contacts that are protected by shatter-resistant insulators and impact-resistant molded sleeves.

More than 25 years of field testing has proven that the unique elastomeric tapered insulator allows maximum flexing with minimum breakage. There are no metal clamps or grommets to cause cable failure.

The same plugs that connect to panels also connect to each other so that you can use long runs of cable. Polarity is assured because each plug is uniquely keyed and color-coded for easy, positive connecting.



Cut-away view of E0200 male plug

# Posi-Lok™ Plugs and Panels

## E0200 Series

11P

**Cable Size #2 AWG - 2 / 0**  
**600V AC/DC**  
**Up to 200A Continuous**

### Posi-Lok™ E0200 Series Female Panels and Male Plugs

#### Features:

- Designed to meet Article 520-53 Section K and Article 530-22 Section A (NEC) standards
- Sequential interlock system requires the user to connect and disconnect each plug in sequence
- Polarized plugs and panels eliminate the possibility of cross-phasing
- Built-in strain relief reduces cable strain
- Proven Cam-Lok™ double cam principle provides a positive, vibration-proof connection
- No moving contact surfaces, eliminating arcing or burning of contacts
- Recessed contacts protected by insulating jacket that extends beyond contact ends for safety

#### Testing and Code Compliance:

- Listed to UL498, File No. E67181
- CSA certified to C22.2 No. 182.3-M1987, File No. LR13963

#### Material Characteristics:

- Insulator - TPE
- Polarizing shell - thermoplastic
- Temperature rating: -40°C to 105°C

#### Ordering Information - Female Panels:

Receptacles Per Panel	Cat. #	Cover Color Code
3	<b>E0200-1685</b>	GR, WH, BK
4	<b>E0200-1686-NN</b>	GR, BK, RD, BU
4	<b>E0200-1696</b>	GR, WH, BK, RD
4	<b>E0200-1892-NN</b>	GR, BRN, ORG, YEL
5	<b>E0200-1687</b>	GR, WH, BK, RD, BU
5	<b>E0200-1890</b>	GR, WH, BRN, ORG, YEL
6	<b>E0200-1885</b>	GR, WH, WH, BK, RD, BU

GR = Green; WH = White; BK = Black; RD = Red; BU = Blue; BRN = Brown;  
 ORG = Orange; YEL = Yellow; NN = Panel without Neutral  
 Add "LS" suffix to end of catalog number to order panels with a limit switch. Available on last position only. Example: E0200-1687LS. Limit switch ratings are 5A, 250 VAC.  
**Plugs must be ordered separately.**

#### Ordering Information - Male Plugs:

Termination	Position	Complete Cat. #	Contact Only Cat. #	Insulator Polarizing Shell Cat. #
Crimp	Green	<b>E0200-141</b>	<b>A201293-5</b>	<b>A201315-3</b>
	White	<b>E0200-142</b>	<b>A201293-5</b>	<b>A201315-2</b>
	Black	<b>E0200-143</b>	<b>A201293-5</b>	<b>A201315-1</b>
	Red	<b>E0200-144</b>	<b>A201293-5</b>	<b>A201315-5</b>
	Blue	<b>E0200-145</b>	<b>A201293-5</b>	<b>A201315-4</b>
	Brown	<b>E0200-147</b>	<b>A201293-5</b>	<b>A201315-9</b>
	Orange	<b>E0200-148</b>	<b>A201293-5</b>	<b>A201315-10</b>
Double Set Screw	Yellow	<b>E0200-149</b>	<b>A201293-5</b>	<b>A201315-8</b>
	Green	<b>E0200-181</b>	<b>A201293-1</b>	<b>A201315-3</b>
	White	<b>E0200-182</b>	<b>A201293-1</b>	<b>A201315-2</b>
	Black	<b>E0200-183</b>	<b>A201293-1</b>	<b>A201315-1</b>
	Red	<b>E0200-184</b>	<b>A201293-1</b>	<b>A201315-5</b>
	Blue	<b>E0200-185</b>	<b>A201293-1</b>	<b>A201315-4</b>
	Brown	<b>E0200-199</b>	<b>A201293-1</b>	<b>A201315-9</b>
	Orange	<b>E0200-195</b>	<b>A201293-1</b>	<b>A201315-10</b>
Yellow	<b>E0200-192</b>	<b>A201293-1</b>	<b>A201315-8</b>	



Male plug assembled length is 8-3/4"

11P

# 11P Posi-Lok™ Plugs and Panels

## E0200 Series

Cable Size #2 AWG - 2 / 0  
600V AC/DC  
Up to 200A Continuous

### Posi-Lok™ E0200 Series Male Panels and Female Plugs

#### Features:

- Designed to meet Article 520-53 Section K and Article 530-22 Section A (NEC) standards
- Sequential interlock system requires the user to connect and disconnect each plug in sequence
- Polarized plugs and panels eliminate the possibility of cross-phasing
- Built-in strain relief reduces cable strain
- Proven Cam-Lok™ double cam principle provides a positive, vibration-proof connection
- No moving contact surfaces, eliminating arcing or burning of contacts
- Recessed contacts protected by insulating jacket that extends beyond contact ends for safety

#### Testing and Code Compliance:

- Listed to UL498, File No. E67181
- CSA certified to C22.2 No. 182.3-M1987, File No. LR13963

#### Material Characteristics:

- Insulator - TPE
- Polarizing shell - thermoplastic
- Temperature rating: -40°C to 105°C

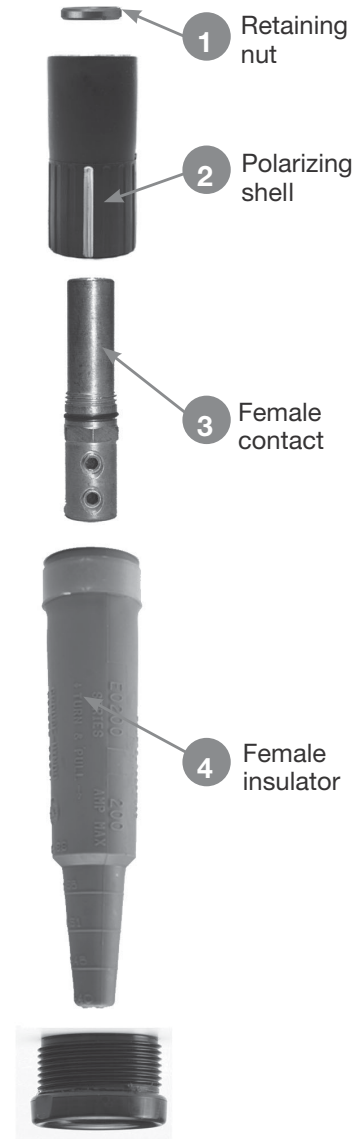
#### Ordering Information - Male Panels:

Receptacles Per Panel	Cat. #	Cover Color Code
3	E0200-1660	GR, WH, BK
4	E0200-1661-NN	GR, BK, RD, BU
4	E0200-1672	GR, WH, BK, RD
4	E0200-1893-NN	GR, BRN, ORG, YEL
5	E0200-1662	GR, WH, BK, RD, BU
5	E0200-1891	GR, WH, BRN, ORG, YEL
6	E0200-1860	GR, WH, WH, BK, RD, BU

GR = Green; WH = White; BK = Black; RD = Red; BU = Blue; BRN = Brown; ORG = Orange; YEL = Yellow; NN = Panel without Neutral  
Add "LS" suffix to end of catalog number to order panels with a limit switch. Available on last position only. Example: E0200-1662LS. Limit switch ratings are 5A, 250 VAC.  
**Plugs must be ordered separately.**

#### Ordering Information - Female Plugs:

Termination	Position	Complete Cat. #	Contact Only Cat. #	Insulator Polarizing Shell Cat. #
Crimp	Green	E0200-241	A201292-5	A201315-27
	White	E0200-242	A201292-5	A201315-26
	Black	E0200-243	A201292-5	A201315-25
	Red	E0200-244	A201292-5	A201315-29
	Blue	E0200-245	A201292-5	A201315-28
	Brown	E0200-247	A201292-5	A201315-33
	Orange	E0200-248	A201292-5	A201315-34
	Yellow	E0200-249	A201292-5	A201315-32
	Double Set Screw	Green	E0200-281	A201292-1
White		E0200-282	A201292-1	A201315-26
Black		E0200-283	A201292-1	A201315-25
Red		E0200-284	A201292-1	A201315-29
Blue		E0200-285	A201292-1	A201315-28
Brown		E0200-288	A201292-1	A201315-33
Orange		E0200-289	A201292-1	A201315-34
Yellow		E0200-286	A201292-1	A201315-32



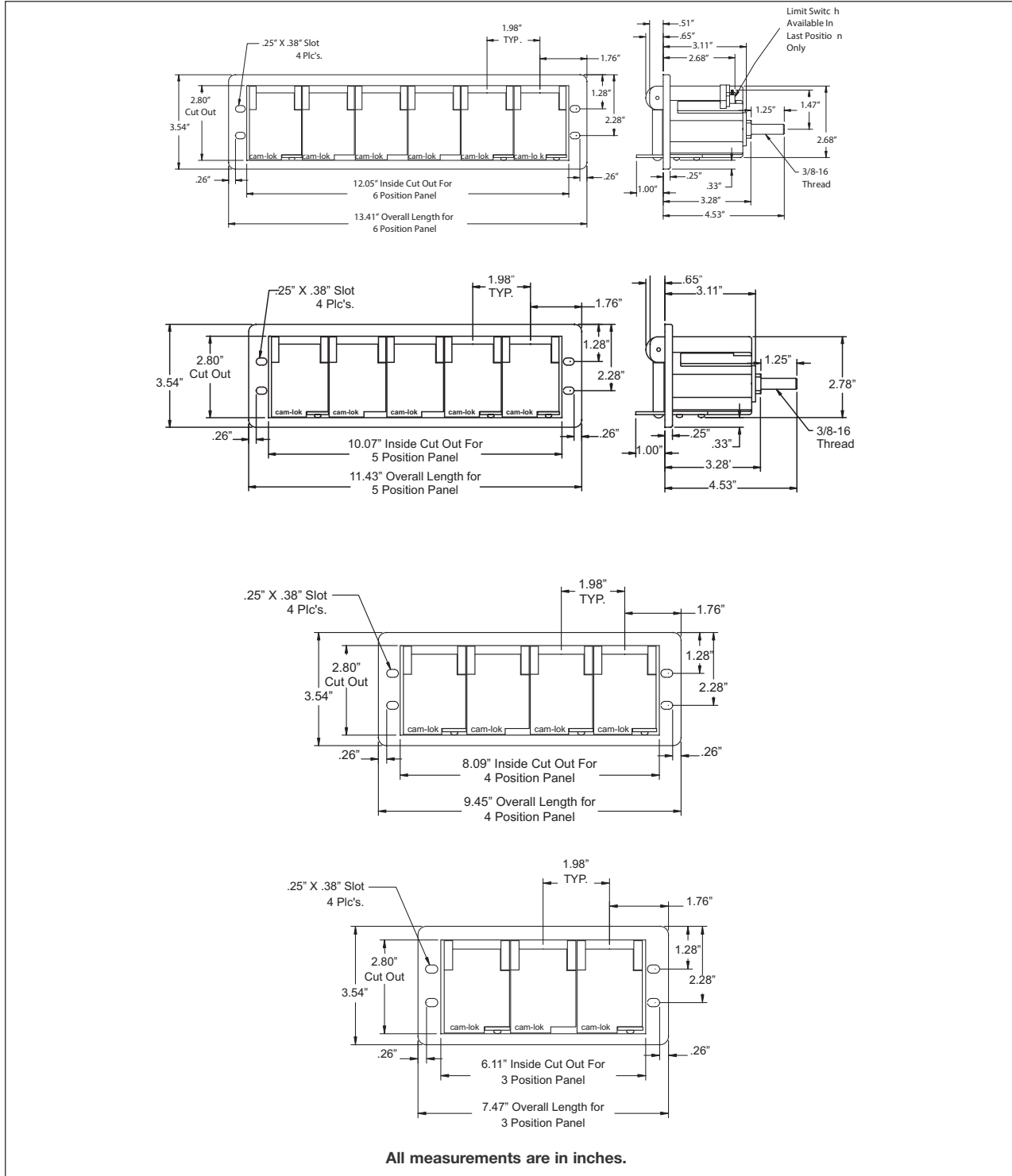
Female plug assembled length is 8-3/4"

# Posi-Lok™ Plugs and Panels E0200 Series

11P

Cable Size #2 AWG - 2 / 0  
600V AC/DC  
Up to 200A Continuous

## Dimensions:



11P

# 11P Posi-Lok™ Plugs and Panels

## E0200 Series

Cable Size #2 AWG - 2 / 0  
600V AC/DC  
Up to 200A Continuous

---

### Posi-Lok™ Plugs and Panels

- Ampacity is based on cable size or continuous rating, whichever is less
- Panel does not include enclosure or breakers; Posi-Lok™ system must be installed per local and national standards
- Panel receptacles have lock washers, flat washers, and jam nuts included
- Plugs and panels have silver-plated copper contacts

### Posi-Lok™ E0200 Ratings:

Cable Size	Amperage Rating	Voltage Rating
#2 AWG	190 Amps	600 VAC
#1 AWG	200 Amps	600 VAC
1 / 0	200 Amps	600 VAC
2 / 0	200 Amps	600 VAC

### Posi-Lok™ E0400 Ratings:

Cable Size	Amperage Rating	Voltage Rating
#2 AWG	190 Amps	600 VAC
#1 AWG	220 Amps	600 VAC
1 / 0	260 Amps	600 VAC
2 / 0	300 Amps	600 VAC
3 / 0	350 Amps	600 VAC
4 / 0	400 Amps	600 VAC

# 11P Posi-Lok™ Tools and Accessories

## Replacement Parts, Crimping Nest and Presses

### Ordering Information:

Cat. #	Description
A400001	Assembly Tool
A100632	Tool for Removing Contacts from Insulators
A100072	Cable Cutter - #2 - 4 / 0 Cable
201310	Insulator Holding Bracket
A201303	Assembly Tool for 200A Plugs
A200020-3	COM-A-LONG for Pulling Male Contact
A200020-4	COM-A-LONG for Pulling Female Contact
A101208	2 Oz. Tube Silicon Grease for Lubricating Mating End of Synthetic Rubber Insulators

### Ordering Information - Crimping Nest and Presses:

Cable Size	Crimping Nests	Crimping Presses
	Cat. #	(Includes Crimp Nest) Cat. #
#2 - #1	100514-3	A200914-3
1 / 0 - 2 / 0	100514-4	A200914-4
3 / 0	100514-5	A200914-5
4 / 0	100514-6	A200914-6

### Ordering Information - Other Accessories:

Connector Series	Set Screw Cat. #	Copper Shim Cat. #	Pressure Pad Cat. #	Retaining Wire Cat. #
E0200	100012-33	100400-5	-	100573-1
E0400	100012-18	100400-8	101214	100573-1



11P