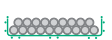
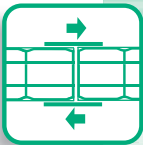
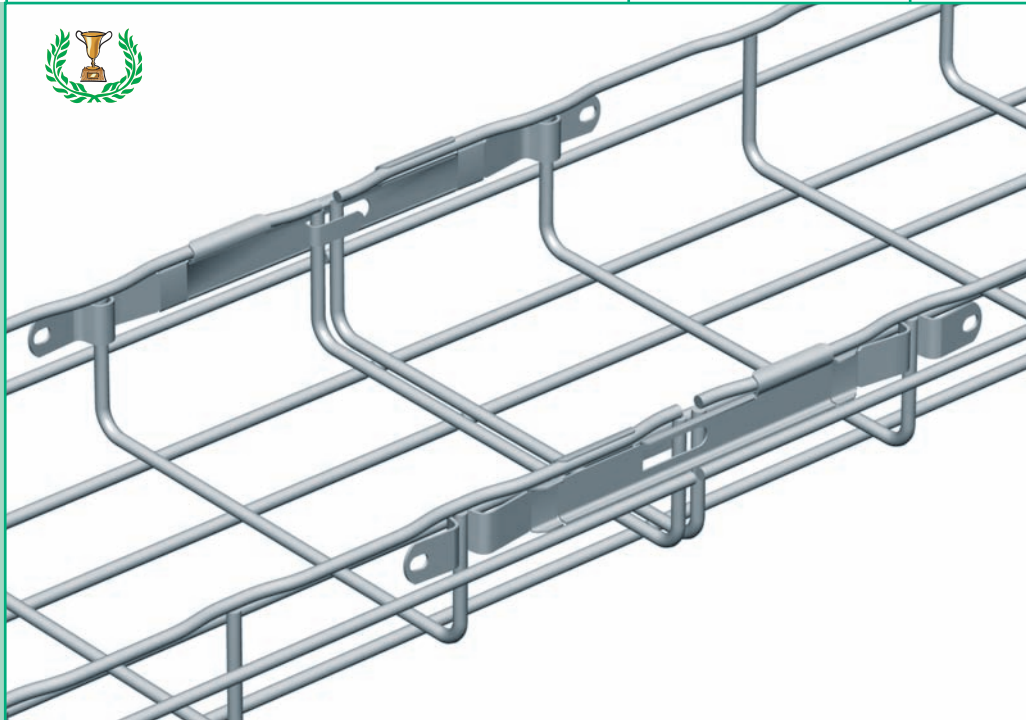


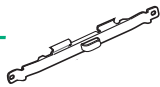
EDRN

CF30 - CF54 - CF80 - CF105 - CF150

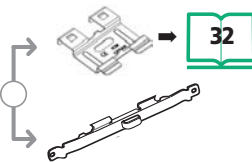
50 → 600mm




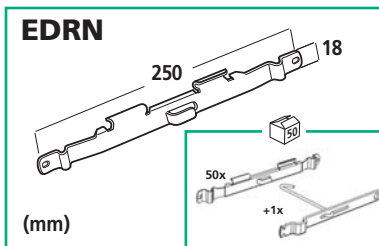
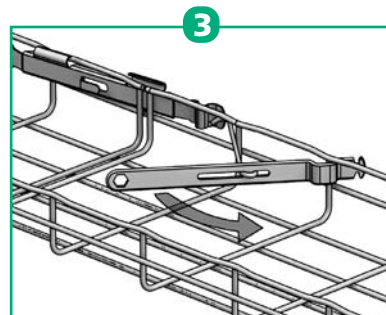
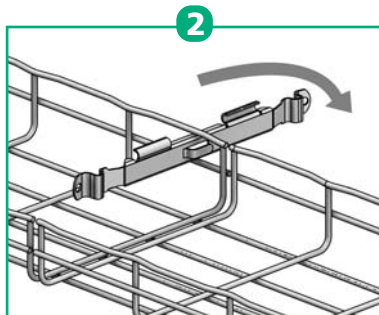
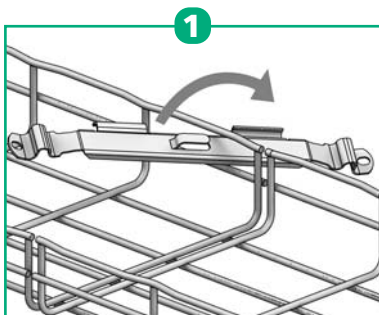
A = $\rightarrow \cdot \leftarrow$





B = $\cdot \uparrow \cdot$



 mm	50		100		150		200		300		400/450/500		600	
	A	B	A	B	A	B	A	B	A	B	A	B	A	B
CF30	2	0	2	0	2	0	2	1	2	1	2	2	2	3
CF54	2	0	2	0	2	0	2	0	2	1	2	2	2	3
CF80			2	1			2	2	2	2	2	3	2	3
CF105			2	1	2	1	2	2	2	3	2	3	2	3
CF150							2	2	2	3	2	3	2	3
HDF 105			2	1	2	1	2	2	2	3	2	3	2	3
CFG			2	1	2	1	2	1						



		 Kg/1	EZ	DC	304L	316L
EDRN	50	0,08	558 241	558 247	-	-