

# Baymaster 250/400™ High Bay Luminaires

150 W, 250 W, 400 W HPS; 175 W, 200 W, 250 W, 320 W, 400 W, 450 W PSMH; 175 W, 250 W, 400 W MH ; 300 W-500 W Incandescent.

## Applications

- For illumination of manufacturing, storage, and other indoor areas.

## Features

- Standard Baymaster fixtures operate in high ambient temperatures. All units suitable for minimum 194 °F/90 °C supply wire.
- High efficiency (up to 78% with 250 W HPS lamps) with exceptionally long lamp life—economical to own and operate.
- A wide range of ballasts and voltages are available for both domestic and export applications.
- Integral ballast.
- Sockets are heavy duty mogul base, with spring loaded, nickel plated center contact and heavy gauge, nickel plated brass screw shell with double lamp grips to prevent lamps from loosening due to vibration.
- Efficient, low glare, compact reflector.
- Reflector installs and adjusts to wide, medium, or narrow distribution (without tools) by repositioning spring locks.
- Installation is quick and easy:
  - (1) mount junction box to 0.75"/33.4 mm conduit
  - (2) slide ballast onto junction box
  - (3) make connections
  - (4) install lamp
  - (5) snap reflector in place.
- Open-top reflector design keeps reflector clean because of thermal barrier and chimney effect, and provides up-light to relieve contrast.

## Standard Materials

- Ballast: finned, copperfree (4/10 of 1% max.) aluminum
- Reflector: aluminum
- Sockets: porcelain
- Locks: stainless steel

## Standard Finishes

- Ballast: white powder coat polyester
- Reflector: natural finished

## Options

- All units available with a sensor circuit for automatically lighting an auxiliary safety lamp if a power dip or lamp failure extinguishes the HID lamp.

## Certifications and Compliances

- UL Listed: E109438
- UL Standard: 1598
- CSA Certified: LR9349

## Related Products

- For power hook, fusing and other suspension accessories, see *Fixture Hanger Accessories* page.

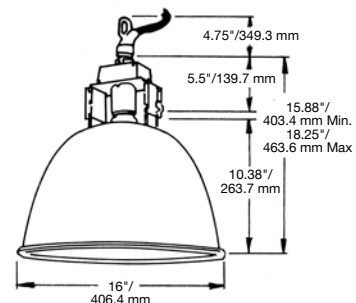
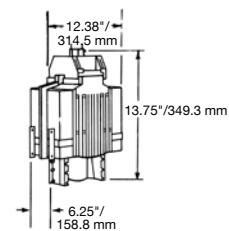


Complete Fixture



Ballast Housing Assembly

## Dimensions



Remote Ballast Mounting

 CSA Certification only.

# Baymaster 250/400™ High Bay Luminaire Performance

150 W, 250 W, 400 W HPS; 175 W, 200 W, 250 W, 320 W, 400 W, 450 W PSMH; 175 W, 250 W, 400 W MH 

## High Pressure Sodium

- 149 °F/65 °C maximum ambient temperature for 150 W-250 W
- 131 °F/55 °C maximum ambient temperature 400 W

Distribution *	150 Watt		175 Watt		250 Watt		400 Watt	
	Effic.	S./M.H. †	Effic.	S./M.H. †	Effic.	S./M.H. †	Effic.	S./M.H. †
Narrow	71.0%	.8:1	—	—	80.0%	0.6:1	80.0%	0.6:1
Medium	72.1%	1.5:1	—	—	77.5%	1.4:1	77.6%	1.4:1
Wide	73.2%	2.5:1	—	—	74.6%	2.5:1	75.4%	2.5:1

## Pulse Start Metal Halide

- 149 °F/65 °C maximum ambient temperature for 175 W-250 W
- 131 °F/55 °C maximum ambient temperature 320 W-450 W

Distribution *	175 Watt		200 Watt		250 Watt		320 Watt		400 Watt		450 Watt	
	Effic.	S./M.H. †	Effic.	S./M.H. †	Effic.	S./M.H. †	Effic.	S./M.H. †	Effic.	S./M.H. †	Effic.	S./M.H. †
Narrow	67.7%	0.6:1	73.3%	0.7:1	78.6%	0.2:1	67.5%	0.7:1	67.5%	0.7:1	67.2%	0.7:1
Medium	72.3%	1.4:1	73.8%	1.7:1	75.2%	1.5:1	70.3%	1.6:1	70.6%	1.6:1	70.7%	1.4:1
Wide	74.6%	2.0:1	72.8%	2.2:1	74.1%	2.1:1	70.6%	2.1:1	71.4%	2.1:1	71.6%	2.0:1

## Metal Halide

- 149 °F/65 °C maximum ambient temperature for 175 W-250 W
- 131 °F/55 °C maximum ambient temperature 400 W

Distribution *	175 Watt		250 Watt		400 Watt	
	Effic.	S./M.H. †	Effic.	S./M.H. †	Effic.	S./M.H. †
Narrow	82.9%	0.8:1	82.9%	0.8:1	79.6%	1:1
Medium	82.8%	1.8:1	82.8%	1.8:1	77.2%	2:1
Wide	80.4%	2.4:1	80.4%	2.4:1	75.2%	2.7:1

LIGHTING: GENERAL LIGHTING – AREA – HIGH BAY

Lighting

 CSA Certification only.

# Baymaster 250/400™ High Bay Luminaire Electrical Specifications

150 W, 250 W, 400 W HPS; 175 W, 200 W, 250 W, 320 W, 400 W, 450 W PSMH; 175 W, 250 W, 400 W MH <sup>CSA</sup>

High Pressure Sodium — All ballasts are C.W.A. type, except 150 W HPS which is HX–Auto									
Line Volts	150 W			250 W			400 W		
	Start	Oper.	Total Watts	Start	Oper.	Total Watts	Start	Oper.	Total Watts
120	2.00	1.70	188	2.00	2.50	295	3.30	3.80	465
208	1.15	.95	188	1.20	1.50	295	1.80	2.20	465
240	1.00	.85	188	1.00	1.30	295	1.60	1.90	465
277	.85	.72	188	.85	1.10	295	1.40	1.70	465
347 <sup>CSA</sup>	0.52	0.56	188	0.60	0.93	295	1.00	1.32	465
480	.50	.47	189	.40	.65	295	.80	1.00	465

Pulse Start Metal Halide — Super C.W.A. Ballast Amps																		
Line Volts	175 W			200 W			250 W			320 W			400 W			450 W		
	Start	Oper.	Total Watts	Start	Oper.	Total Watts	Start	Oper.	Total Watts	Start	Oper.	Total Watts	Start	Oper.	Total Watts	Start	Oper.	Total Watts
120	.90	1.78	199	2.10	2.00	235	1.90	2.50	288	2.60	3.25	368	3.50	4.00	454	4.00	4.40	510
208	.50	1.08	199	1.15	1.25	235	1.10	1.45	288	1.50	1.90	368	2.00	2.30	454	2.30	2.60	510
240	.35	.89	199	1.10	1.00	235	.96	1.25	288	1.30	1.65	368	1.75	2.00	454	2.00	2.20	510
277	.30	.76	199	.75	.85	235	.85	1.10	288	1.15	1.40	368	1.50	1.75	454	1.70	1.90	510
347 <sup>CSA</sup>	0.25	0.65	199	.25	.70	232	0.62	0.90	288	0.70	1.10	368	1.10	1.35	454	1.10	1.50	505
480	.25	.50	213	.35	.50	237	.46	.60	285	.60	.80	368	.90	1.00	454	.85	1.12	514

Metal Halide <sup>CSA</sup> — C.W.A. Ballast Amps									
Line Volts	175 W			250 W			400 W		
	Start	Oper.	Total Watts	Start	Oper.	Total Watts	Start	Oper.	Total Watts
120	1.3	1.8	213	1.2	2.6	295	3.25	4.0	458
208	.75	1.1	213	.65	1.5	295	1.9	2.3	458
240	.65	.90	213	.60	1.3	295	1.65	2.0	458
277	.55	.78	213	.50	1.12	295	1.4	1.75	458
347	0.50	0.65	213	0.80	0.90	295	1.20	1.40	458

<sup>CSA</sup> CSA Certified only.

# Baymaster 250/400™ High Bay Luminaires

150 W, 250 W, 400 W HPS; 175 W, 200 W, 250 W, 320 W, 400 W, 450 W PSMH; 175 W, 250 W, 400 W MH

## Pendant Mounting (3/4")

Lamp Type	Voltage	Catalog Number	
		Complete Assembly ①②	Ballast Housing Assembly
<b>For High Pressure Sodium Lamps</b>			
150 W HPS	120/208/240/277 V	G-HB41AL-MT	G-HB411L-MT
150 W HPS	120/277/347 V	G-HB41AL-TT ③④	G-HB411L-TT ③④
150 W HPS	480 V	G-HB41AL-48	G-HB411L-48
250 W HPS	120/208/240/277 V	G-HB61AL-MT	G-HB611L-MT
250 W HPS	120/277/347 V	G-HB61AL-TT ③④	G-HB611L-TT ③④
250 W HPS	480 V	G-HB61AL-48	G-HB611L-48
400 W HPS	120/208/240/277 V	G-HB71AL-MT	G-HB711L-MT
400 W HPS	120/277/347 V	G-HB71AL-TT ③④	G-HB711L-TT ③④
400 W HPS	480 V	G-HB71AL-48	G-HB711L-48
<b>For Pulse Start Metal Halide Lamps</b>			
175 W PSMH	120/208/240/277 V	G-HB51AP-MT	G-HB511P-MT
175 W PSMH	120/277/347 V	G-HB51AP-TT ③④	G-HB511P-TT ③④
175 W PSMH	480 V	G-HB51AP-48	G-HB511P-48
200 W PSMH	120/208/240/277 V	G-HB201AP-MT	G-HB2011P-MT
200 W PSMH	120/277/347 V	G-HB201AP-TT ③④	G-HB2011P-TT ③④
200 W PSMH	480 V	G-HB201AP-48	G-HB2011P-48
250 W PSMH	120/208/240/277 V	G-HB61AP-MT	G-HB611P-MT
250 W PSMH	120/277/347 V	G-HB61AP-TT ③④	G-HB611P-TT ③④
250 W PSMH	480 V	G-HB61AP-48	G-HB611P-48
320 W PSMH	120/208/240/277 V	G-HB321AP-MT	G-HB3211P-MT
320 W PSMH	120/277/347 V	G-HB321AP-TT ③④	G-HB3211P-TT ③④
320 W PSMH	480 V	G-HB321AP-48	G-HB3211P-48
400 W PSMH	120/208/240/277 V	G-HB71AP-MT	G-HB711P-MT
400 W PSMH	120/277/347 V	G-HB71AP-TT ③④	G-HB711P-TT ③④
400 W PSMH	480 V	G-HB71AP-48	G-HB711P-48
450 W PSMH	120/208/240/277 V	G-HB451AP-MT	G-HB4511P-MT
450 W PSMH	120/277/347 V	G-HB451AP-TT ③④	G-HB4511P-TT ③④
450 W PSMH	480 V	G-HB451AP-48	G-HB4511P-48
<b>For Metal Halide Lamps</b>			
175 W MH	120/208/240/277 V	G-HB51AH-MT ⑤	G-HB511H-MT ⑤
175 W MH	120/277/347 V	G-HB51AH-TT ③④⑤	G-HB511H-TT ③④⑤
250 W MH	120/208/240/277 V	G-HB61AH-MT ⑤	G-HB611H-MT ⑤
250 W MH	120/277/347 V	G-HB61AH-TT ③④⑤	G-HB611H-TT ③④⑤
400 W MH	120/208/240/277 V	G-HB71AH-MT ⑤	G-HB711H-MT ⑤
400 W MH	120/277/347 V	G-HB71AH-TT ③④⑤	G-HB711H-TT ③④⑤

① Add suffix **-E** to catalog number if provision for 250 W quartz emergency lamp is desired (lamp not included). Furnished with socket installed and pre-wired (not available on units for remote ballast).

② To order fixture complete with lamp, add suffix **-L** to catalog number.

③ Supplied complete with CWA Ballast. For 208, 240, 480 or 600 V CWI applications, change the **-TT** suffix to **-C2**, **-C3**, **-C6** or **-C7** as required.

④ CSA Certification only.