

BKX Rigid Fixture Hangers

UNILETS® for Use with Threaded Rigid Metal Conduit and IMC.

CEC:
Class II, Division 1 and 2, Groups E, F, G
Class III,
Enclosure 4

POLES/HANGERS: NEC/CEC EXPLOSIONPROOF FLEXIBLE FIXTURE HANGERS

Applications

- Designed for suspension of HID, fluorescent and incandescent lighting fixtures.

Features

- All fixture hangers protect fixture against wind and vibration damage.
- Cushion type for added protection where lighting fixtures are subjected to vibration.
- Available in three depths.
- Accepts JB covers for ordinary location and AHG hangers for Class II hazardous locations.

Standard Materials

- Gray iron and copperfree aluminum

CEC Certifications and Compliances

- CSA Standard: C22.2 No 18.1
- CSA Certified: 013017



BKX Shallow Box



BKX Deep Box





BKX Rigid Fixture Hangers

UNILETS® for Use with Threaded Rigid Metal Conduit and IMC.

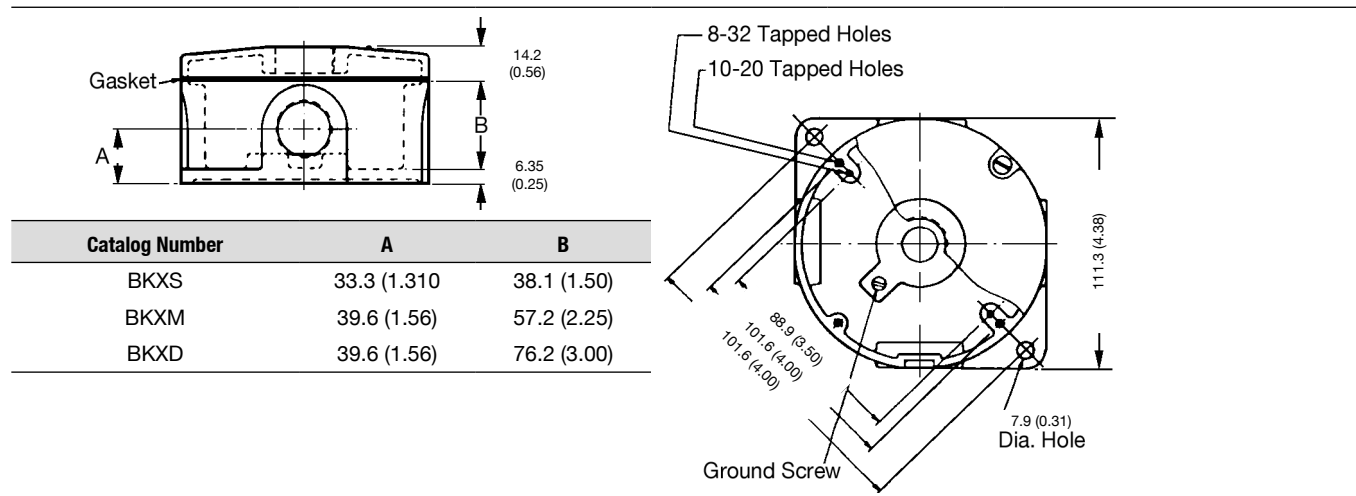
CEC:

Class II, Division 1 and 2, Groups E, F, G
Class III,
Enclosure 4

Furnished with gasketed cover, four threaded conduit entries and 2 close-up plugs

	Fixture Stem Size (Inches)	Hub Size (Inches)	Catalog Number			
			Enclosure Only Ferrous Alloy	Enclosure Only Aluminium	With Cover Gray Iron	With Cover Aluminium
Shallow Box – 2-1/16						
	1/2	1/2	BKXS-1	BKXS-1A	BKXS-11	BKXS-11A
	1/2	3/4	BKXS-2	BKXS-2A	BKXS-21	BKXS-21A
	3/4	3/4	BKXS-2	BKXS-2A	BKXS-22	BKXS-22A
Medium Box – 2-11/16						
	1/2	1/2	BKXM-1	BKXM-1A	BKXM-11	BKXM-11A
	1/2	3/4	BKXM-2	BKXM-2A	BKXM-21	BKXM-21A
	1/2	1	BKXM-3	BKXM-3A	BKXM-31	BKXM-31A
	3/4	3/4	BKXM-2	BKXM-2A	BKXM-22	BKXM-22A
	3/4	1	BKXM-3	BKXM-3A	BKXM-32	BKXM-32A
Deep Box – 3-9/16						
	1/2	1/2	BKXD-1	BKXD-1A	BKXD-11	BKXD-11A
	1/2	3/4	BKXD-2	BKXD-2A	BKXD-21	BKXD-21A
	1/2	1	BKXD-3	BKXD-3A	BKXD-31	BKXD-31A
	3/4	3/4	BKXD-2	BKXD-2A	BKXD-22	BKXD-22A
	3/4	1	BKXD-3	BKXD-3A	BKXD-32	BKXD-32A
Covers with Gasket Attached						
	1/2		—	—	CBK-1G	CBK-1GA
	3/4		—	—	CBK-2G	CBK-2GA

Dimensions in Millimeters (Inches)



POLES/HANGERS: NEC/CEC EXPLOSIONPROOF FLEXIBLE FIXTURE HANGERS

